



RIPTIDE TERROVA

BOW-MOUNT TROLLING MOTOR

OWNER'S MANUAL

INTRODUCTION

THANK YOU

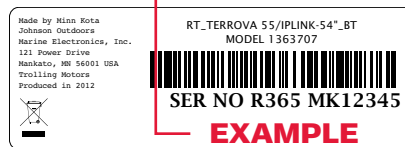
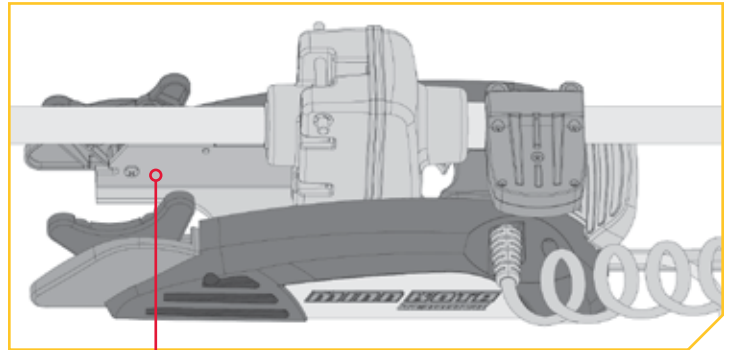
Thank you for choosing Minn Kota. We believe that you should spend more time fishing and less time positioning your boat. That's why we build the smartest, toughest, most intuitive trolling motors on the water. Every aspect of a Minn Kota trolling motor is thought out and rethought until it's good enough to bear our name. Countless hours of research and testing provide you the Minn Kota advantage that can truly take you "Anywhere. Anytime." We don't believe in shortcuts. We are Minn Kota. And we are never done helping you catch more fish.

REGISTRATION

Remember to keep your receipt and immediately register your trolling motor. A registration card is included with your motor or you can complete registration on our website at minnkotamotors.com.

SERIAL NUMBER

Your Minn Kota 11-character serial number is very important. It helps to determine the specific model and year of manufacture. When contacting Consumer Service or registering your product, you will need to know your product's serial number. We recommend that you write the serial number down so that you have it available for future reference.



NOTE: The serial number on your Riptide Terrova is located inside the mount below the motor rests.

MOTOR INFORMATION (FOR CONSUMER REFERENCE ONLY)

Model: _____

Serial Number: _____

Purchase Date: _____

Store Where Purchased: _____

NOTE: Do not return your Minn Kota motor to your retailer. Your retailer is not authorized to repair or replace this unit. You may obtain service by: calling Minn Kota at (800) 227-6433; returning your motor to the Minn Kota Factory Service Center; sending or taking your motor to any Minn Kota authorized service center. A list of authorized service centers is available on our website, at minnkotamotors.com. Please include proof of purchase, serial number and purchase date for warranty service with any of the above options.

TABLE OF CONTENTS

TABLE OF CONTENTS	
SAFETY CONSIDERATIONS	4
WARRANTY	5
KNOW YOUR BOAT	6
FEATURES	7
INSTALLATION	8
Installing the Riptide Terrova.....	9
Routing the i-Pilot Link Cable.....	13
BATTERY & WIRING INSTALLATION	15
Boat Rigging & Product Installation.....	15
Conductor Gauge and Circuit Breaker Sizing Table.....	15
Selecting the Correct Batteries	16
Additional Considerations	16
Connecting the Batteries.....	17
Connecting the Batteries in a Series	18
MOTOR WIRING DIAGRAM	20
USING & ADJUSTING THE MOTOR	22
Mount Features	22
Stowing and Deploying the Motor	23
Push-to-Test Battery Meter.....	24
Adjusting the Depth of the Motor	25
Adjusting the Lower Unit for a Secure Stow.....	26
Installing an External Transducer	27
COPILOT	28
Controlling the Motor with CoPilot	28
CoPilot General Operation	29
Audio Modes	30
Adding/Removing Remotes	31
Replacing the Battery.....	32
SERVICE & MAINTENANCE	34
Propeller Replacement.....	34
General Maintenance	35
Troubleshooting.....	35
Troubleshooting the CoPilot	36
COMPLIANCE STATEMENTS	37
PARTS DIAGRAM & PARTS LIST	39
NOTES	51

SAFETY CONSIDERATIONS

Please thoroughly read the user manual. Follow all instructions and heed all safety and cautionary notices. Use of this motor is only permitted for persons that have read and understood these user instructions. Minors may use this motor only under adult supervision.

WARNING

You are responsible for the safe and prudent operation of your vessel. We have designed your Minn Kota product to be an accurate and reliable tool that will enhance boat operation and improve your ability to catch fish. This product does not relieve you from the responsibility for safe operation of your boat. You must avoid hazards to navigation and always maintain a permanent watch so you can respond to situations as they develop. You must always be prepared to regain manual control of your boat. Learn to operate your Minn Kota product in an area free from hazards and obstacles.

WARNING

Never run the motor out of the water, as this may result in injuries from the rotating propeller. The motor should be disconnected from the power source when it is not in use or is off the water. When connecting the power-supply cables of the motor to the battery, ensure that they are not kinked or subject to chafe and route them in such a way that persons cannot trip over them. Before using the motor make sure that the insulation of the power cables is not damaged. Disregarding these safety precautions may result in electric shorts of battery(s) and/or motor. Always disconnect motor from battery(s) before cleaning or checking the propeller. Avoid submerging the complete motor as water may enter the lower unit through control head and shaft. If the motor is used while water is present in the lower unit considerable damage to the motor can occur. This damage will not be covered by warranty.

WARNING

Take care that neither you nor other persons approach the turning propeller too closely, neither with body parts nor with objects. The motor is powerful and may endanger or injure you or others. While the motor is running watch out for persons swimming and for floating objects. Persons whose ability to run the motor or whose reactions are impaired by alcohol, drugs, medication, or other substances are not permitted to use this motor. This motor is not suitable for use in strong currents. The constant noise pressure level of the motor during use is less than 70dB(A). The overall vibration level does not exceed 2,5 m/sec².

WARNING

When stowing or deploying the motor, keep fingers clear of all hinge and pivot points and all moving parts. In the event of unexpected operation, remove power leads from the battery.

WARNING

It is recommended to only use Johnson Outdoors approved accessories with your Minn Kota motor. Using non-approved accessories including to mount or control your motor may cause damage, unexpected motor operation and injury. Be sure to use the product and approved accessories, including remotes, safely and in the manner directed to avoid accidental or unexpected motor operation. Keep all factory installed parts in place including motor and accessory covers, enclosures and guards.

WARRANTY

WARRANTY ON MINN KOTA SALTWATER TROLLING MOTORS

Johnson Outdoors Marine Electronics, Inc. ("JOME") extends the following limited warranty to the original retail purchaser only. Warranty coverage is not transferable.

Minn Kota Limited Two-Year Warranty on the Entire Product

JOME warrants to the original retail purchaser only that the purchaser's new Minn Kota saltwater trolling motor will be materially free from defects in materials and workmanship appearing within two (2) years after the date of purchase. JOME will (at its option) either repair or replace, free of charge, any parts found by JOME to be defective during the term of this warranty. Such repair, or replacement shall be the sole and exclusive liability of JOME and the sole and exclusive remedy of the purchaser for breach of this warranty.

Minn Kota Limited Lifetime Warranty on Composite Shaft

JOME warrants to the original retail purchaser only that the composite shaft of the purchaser's Minn Kota trolling motor will be materially free from defects in materials and workmanship appearing within the original purchaser's lifetime. JOME will provide a new composite shaft, free of charge, to replace any composite shaft found by JOME to be defective during the term of this warranty. Providing a new composite shaft shall be the sole and exclusive liability of JOME and the sole and exclusive remedy of the purchaser for breach of this warranty; **and purchaser shall be responsible for installing, or for the cost of labor to install, any new composite shaft provided by JOME.**

Exclusions & Limitations

This limited warranty does not apply to products that have been used commercially or for rental purposes. This limited warranty does not cover normal wear and tear, blemishes that do not affect the operation of the product, or damage caused by accidents, abuse, alteration, modification, shipping damages, negligence of the user or misuse, improper or insufficient care or maintenance. **DAMAGE CAUSED BY THE USE OF OTHER REPLACEMENT PARTS NOT MEETING THE DESIGN SPECIFICATIONS OF THE ORIGINAL PARTS WILL NOT BE COVERED BY THIS LIMITED WARRANTY.** The cost of normal maintenance or replacement parts which are not in breach of the limited warranty are the responsibility of the purchaser. Prior to using products, the purchaser shall determine the suitability of the products for the intended use and assumes all related risk and liability. Any assistance JOME provides to or procures for the purchaser outside the terms, limitations or exclusions of this limited warranty will not constitute a waiver of the terms, limitations or exclusions, nor will such assistance extend or revive the warranty. JOME will not reimburse the purchaser for any expenses incurred by the purchaser in repairing, correcting or replacing any defective products or parts, except those incurred with JOME's prior written permission. **JOME'S AGGREGATE LIABILITY WITH RESPECT TO COVERED PRODUCTS IS LIMITED TO AN AMOUNT EQUAL TO THE PURCHASER'S ORIGINAL PURCHASE PRICE PAID FOR SUCH PRODUCT.**

Minn Kota Service Information

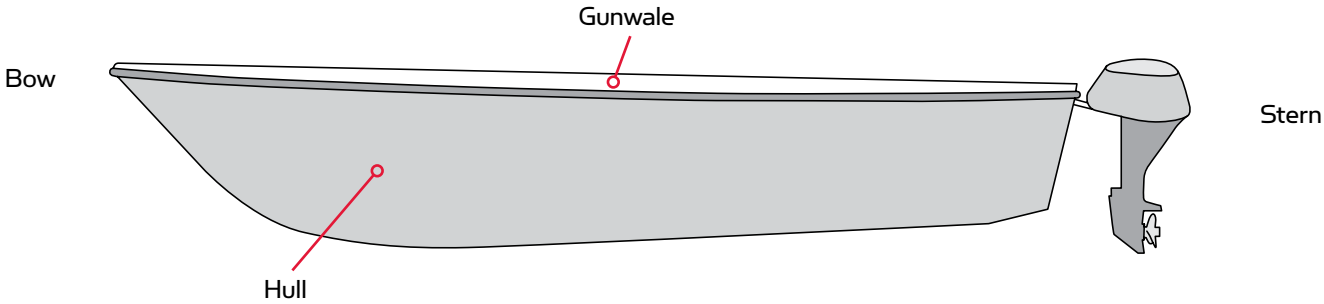
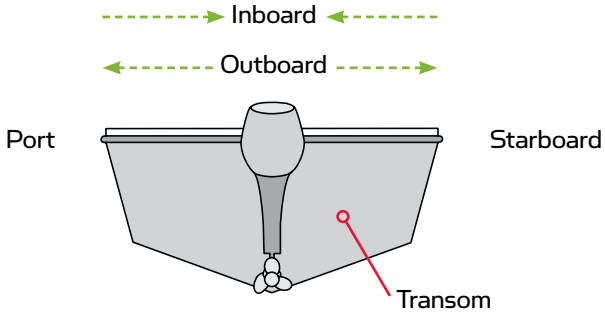
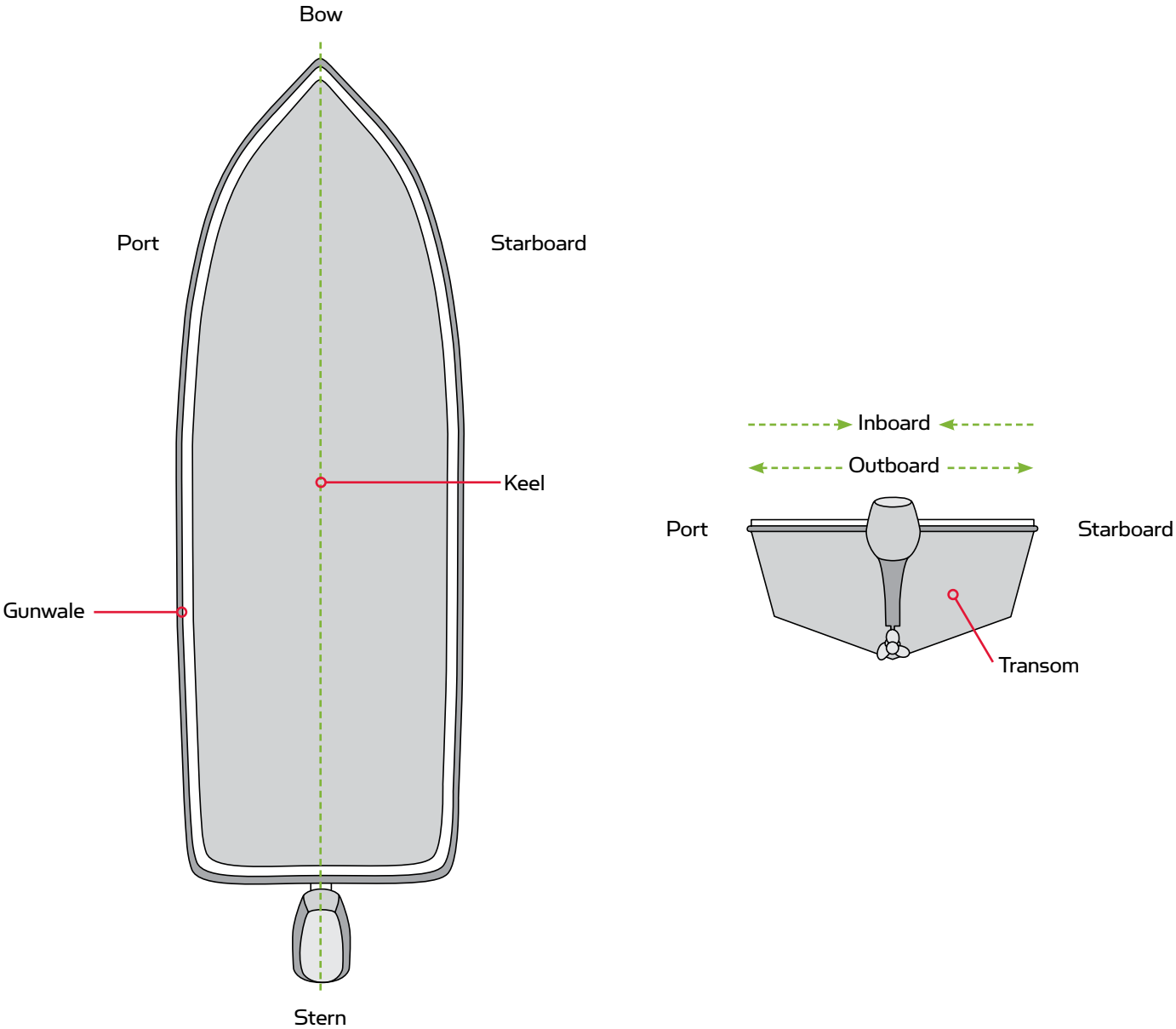
To obtain warranty service in the U.S., the product believed to be defective, and proof of original purchase (including the date of purchase), must be presented to a Minn Kota Authorized Service Center or to Minn Kota's factory service center in Mankato, MN. Any charges incurred for service calls, transportation or shipping/freight to/from the Minn Kota Authorized Service Center or factory, labor to haul out, remove, re-install or re-rig products removed for warranty service, or any other similar items are the sole and exclusive responsibility of the purchaser. Products purchased outside of the U.S. must be returned prepaid with proof of purchase (including the date of purchase and serial number) to any Authorized Minn Kota Service Center in the country of purchase. Warranty service can be arranged by contacting a Minn Kota Authorized Service Center or by contacting the factory at 1-800-227-6433 or email service@minnkotamotors.com. **Products repaired or replaced will be warranted for the remainder of the original warranty period [or for 90 days from the date of repair or replacement, whichever is longer]. For any product that is returned for warranty service that JOME finds to be not covered by or not in breach of this limited warranty, there will be a billing for services rendered at the prevailing posted labor rate and for a minimum of at least one hour.**

NOTE: Do not return your Minn Kota product to your retailer. Your retailer is not authorized to repair or replace products.

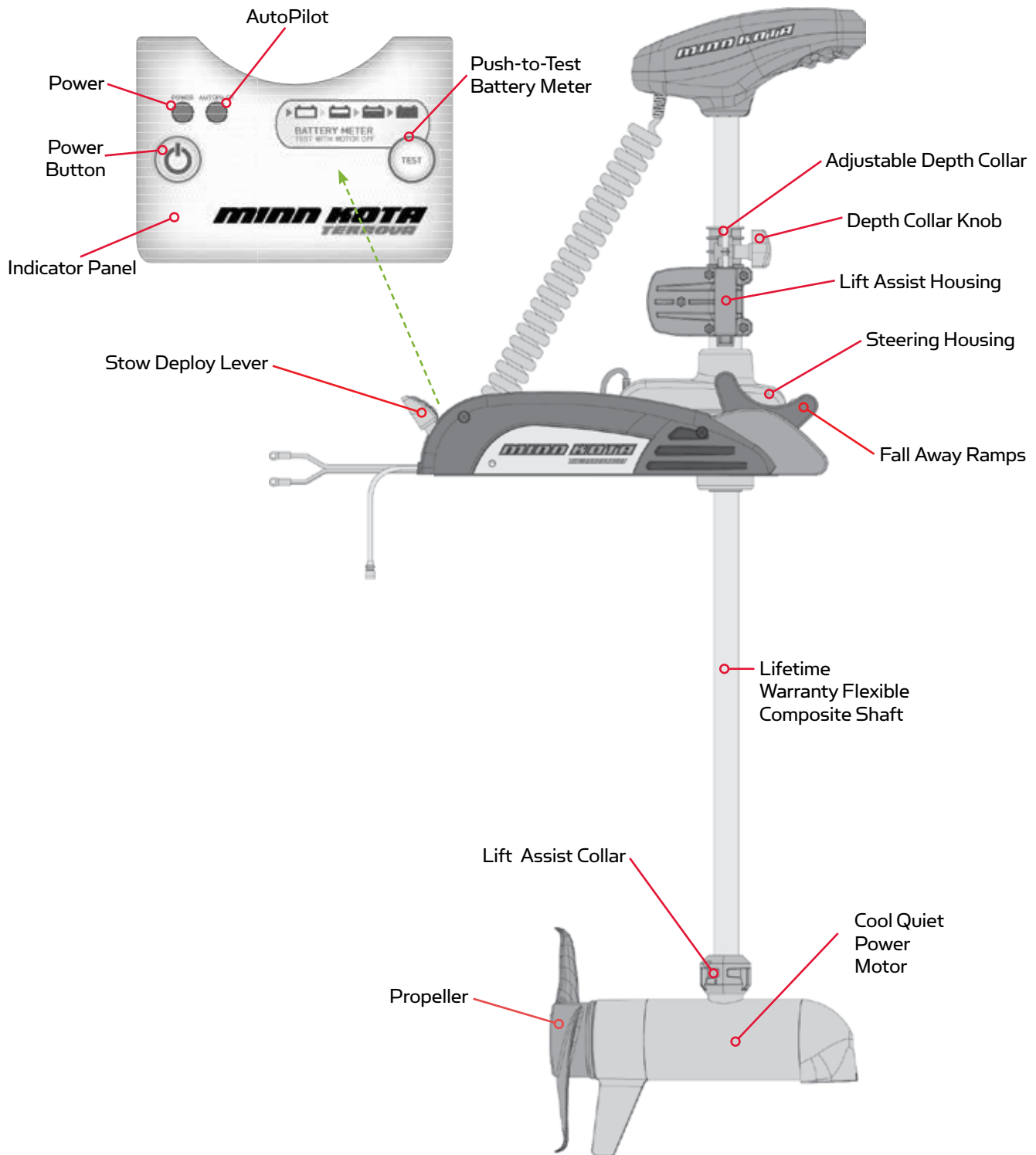
NOTE: THERE ARE NO EXPRESS WARRANTIES OTHER THAN THESE LIMITED WARRANTIES. IN NO EVENT SHALL ANY IMPLIED WARRANTIES INCLUDING ANY IMPLIED WARRANTIES OF MERCHANTABILITY OR FITNESS FOR PARTICULAR PURPOSE, EXTEND BEYOND THE DURATION OF THE RELEVANT EXPRESS LIMITED WARRANTY. IN NO EVENT SHALL JOME BE LIABLE FOR PUNITIVE, INDIRECT, INCIDENTAL, CONSEQUENTIAL OR SPECIAL DAMAGES. Without limiting the foregoing, JOME assumes no responsibility for loss of use of product, loss of time, inconvenience or other damage.

Some states do not allow limitations on how long an implied warranty lasts or the exclusion or limitation of incidental or consequential damages, so the above limitations and/or exclusions may not apply to you. This warranty gives you specific legal rights and you may also have other legal rights which vary from state to state.

KNOW YOUR BOAT



FEATURES



NOTE: Specifications subject to change without notice. This diagram is for reference only and may differ from your actual motor.

INSTALLATION

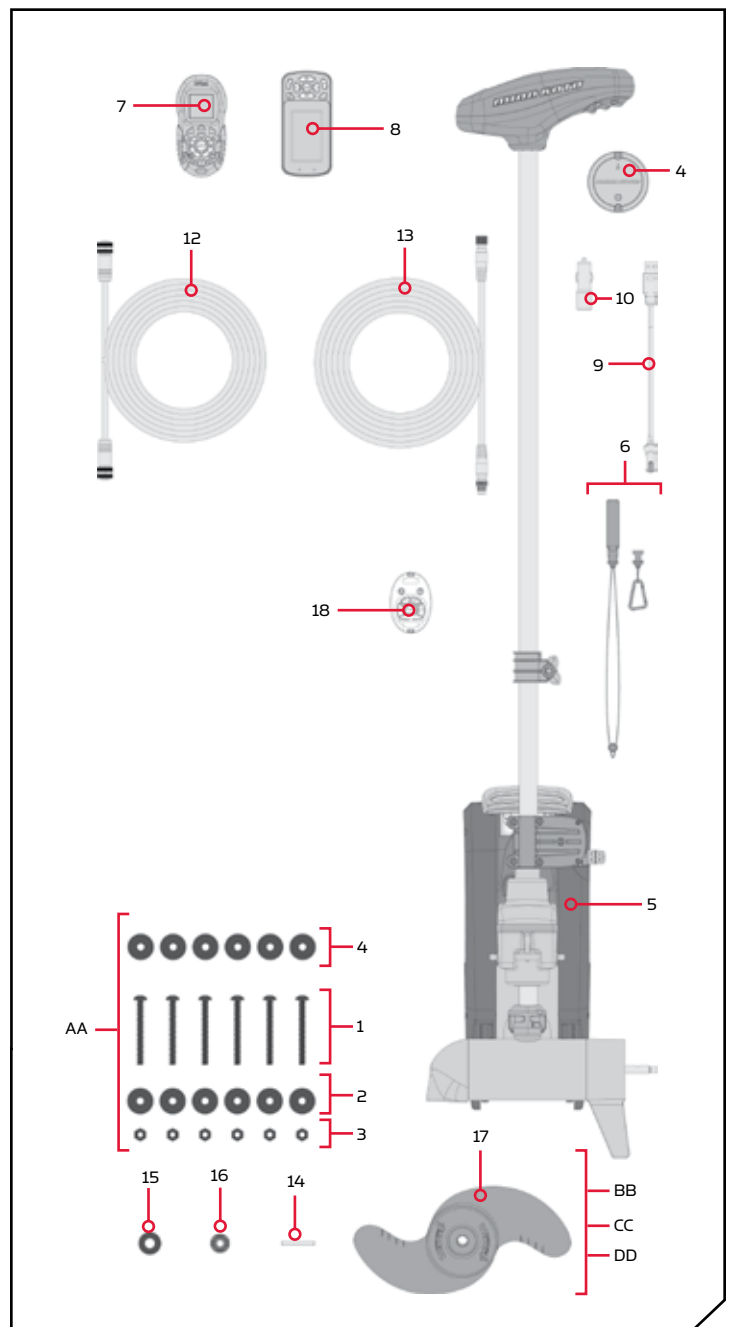
INSTALLING THE RIPTIDE TERROVA

Your new Riptide Terrova comes with everything you'll need to directly install it to the boat. This motor can be directly mounted to the boat or coupled with a Minn Kota quick release bracket for ease of mounting and removal. For installation with a quick release bracket, refer to the installation instructions provided with the bracket. For compatible quick release mounting brackets and to locate your nearest dealer, visit minnkotamotors.com. To install the motor directly to the boat, please follow the instructions provided in this manual. Please review the parts list, mounting considerations and tools needed for installation prior to getting started. For additional product support, please visit minnkotamotors.com.

INSTALLATION PARTS LIST

Item / Assembly	Part #	Description	Qty.
AA	2994864	BAG ASSEMBLY - (BOLT, NUT, WASHERS)	1
1	2263462	BOLT-MOUNTING-1/4X2 W/STG	6
2	2261713	WASHER-1/4	6
3	2263103	NUT NYLOK 1/4-20 MTG	6
4	2301720	WASHER-MOUNTING RUBBER	6
5	*	MOTOR ASSEMBLY	1
6	2390800 ♦	LANYARD, REMOTE W/ CARABEENER	1
7	2994075 ♦	REMOTE ASY, IPILOT	1
▲	2397101 ♦	MANUAL, QUICK REF., IPILOT 1.6	1
8	2994076 ♦	REMOTE ASSEMBLY LINK TOUCHSCREEN	1
9	2373241 ♦	CABLE, USB REMOTE CHARGER LINK	1
10	2375901 ♦	ADAPTER, USB DC POWER LINK	1
11	2996400 ♦	HEADING SENSOR ASSEMBLY	1
12	490389-1 ♦	CABLE, ETH (M12-M-M12-F, 30')	1
13	2211415	CABLE-EXTENSION, PD/AP 110"	1
14	2092600	PIN-DRIVE 1.06" LG (S/S)	1
	2262658	PIN-DRIVE 1" X 3/16" S/S	1
15	2151726	WASHER-5/16 STD (S/S)	1
	2091701	WASHER-PROP (LARGE)	1
16	2198400	ANODES, ZINC, 3.25/3.62" LWR UNT	1
17	2091160	PROP-WW2 (3-5/8") REAMED	1
	2341160	PROP-WW2 (4.5) W/ADP.RING	1
	2331160	PROP-WW2 (4") W/ADP.RING	1
BB	1378131	PROP IND 2091160 WDLS WDG II	1
CC	1378160	PROP KIT 2341160 112# WW2	1
DD	1378132	PROP IND 2331160 WDLS WDG II	1
18	2994095 ●	TRANSMITTER ASY,TRRV CPLT	1
▲	2327132	INSTALLATION INSTRUCTIONS TERROVA	1
▲	2397103 ♦	MANUAL, QUICK REF., IPILOT LINK 3.0	1

- Only available with models factory installed with CoPilot.
- ▲ Not shown on Parts Diagram.
- * This part is included in an assembly and cannot be ordered individually.
- ♦ Only available with models factory installed with i-Pilot or i-Pilot Link.



MOUNTING CONSIDERATIONS

It is recommended that the motor be mounted as close to the centerline of the boat as possible. Make sure the area under the mounting location is clear to drill holes and install nuts and washers. Make sure the motor rest is positioned far enough beyond the edge of the boat. The motor must not encounter any obstructions as it is lowered into the water or raised into the boat when stowed and deployed. Consider a quick release or adapter bracket with the installation of your motor. To view a list of accessories, please visit minnkotamotors.com.



View accessories available for your trolling motor at minnkotamotors.com.

TOOLS AND RESOURCES REQUIRED

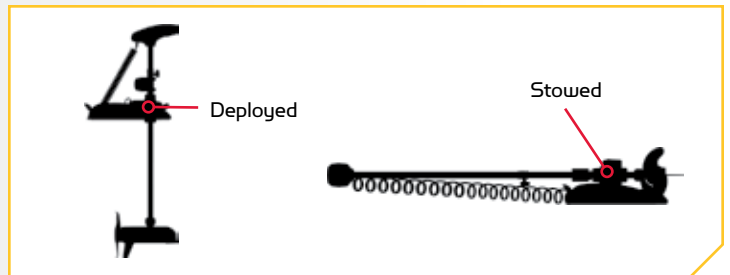
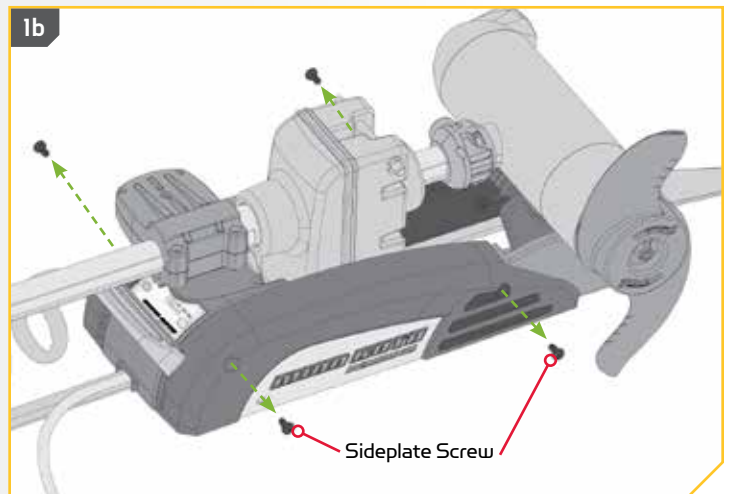
- #3 Phillips Screw Driver
- Drill
- 9/32" Drill Bit
- 7/16" Box End Wrench
- A second person to help with the installation

INSTALLATION

Installing the Riptide Terrova

- 1
 - a. Place the mount on an elevated, level surface such as a workbench or the tailgate of a pickup. The motor, as removed from the box, should be in the stowed position.
 - b. Remove the four sideplate screws using a #3 Phillips screwdriver. Two of these screws will be located on each side of the mount.

NOTE: This motor weighs approximately 65lbs. We recommend having a second person help with the installation.

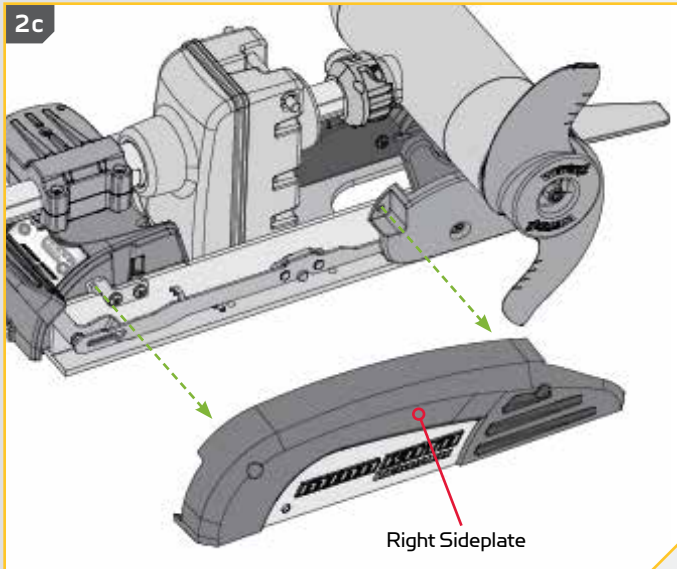


INSTALLING THE RIPTIDE TERROVA

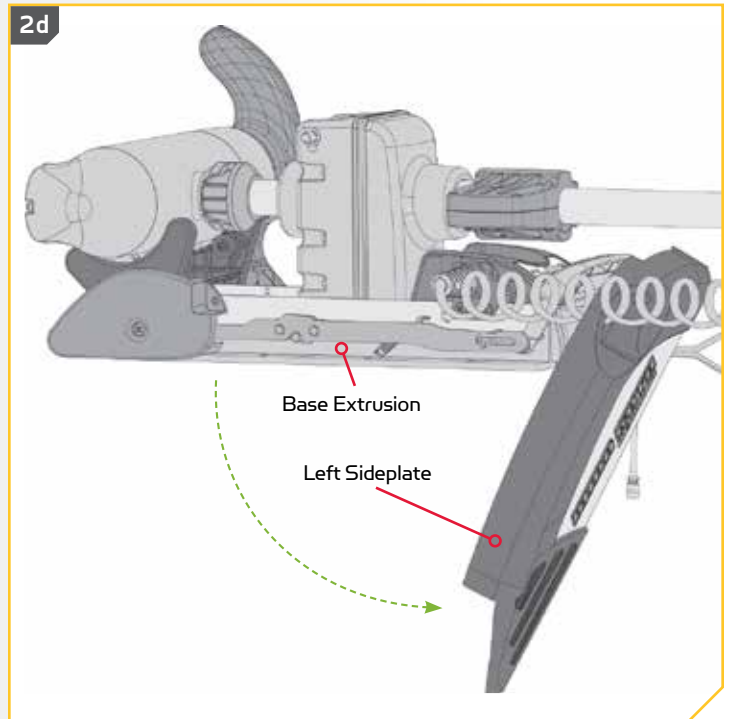
2

- c. Remove the Right Sideplate.
- d. Swing the Left Sideplate out and away from the Base Extrusion.

2c



2d



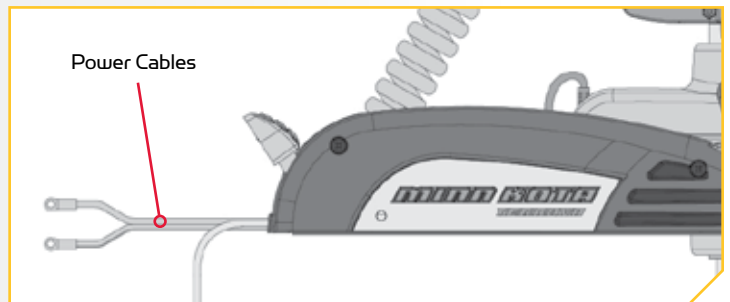
3

- e. Make sure that the Power Cables from the battery are disconnected, or that the breaker, if equipped, is "off".

WARNING

Make sure the motor is mounted on a level surface and is not connected to a power source.

Power Cables

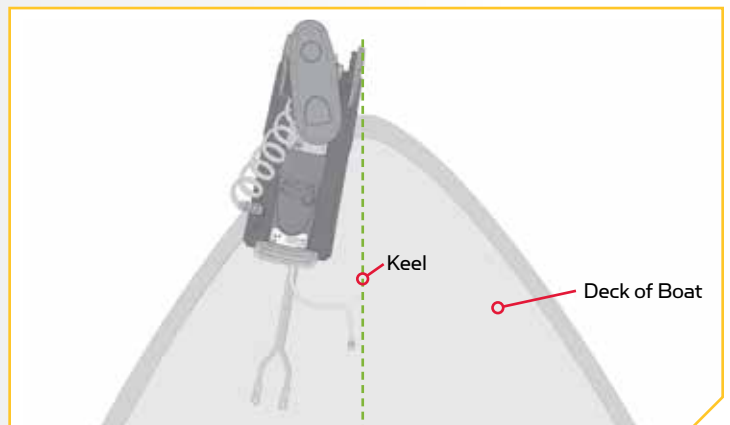


4

- f. Place the mount as close to the centerline or keel of the boat as possible. The motor can be installed on either the Port or Starboard side of the boat based on personal preference. Check placement with the motor in the stowed and deployed positions. Review the mounting considerations at the beginning of the installation.

Keel

Deck of Boat

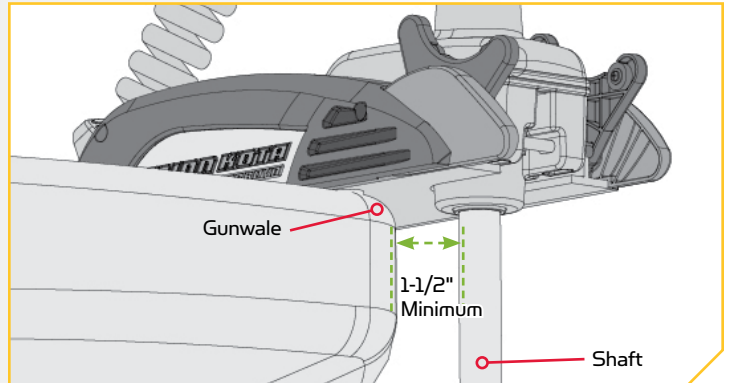


5

ITEM(S) NEEDED

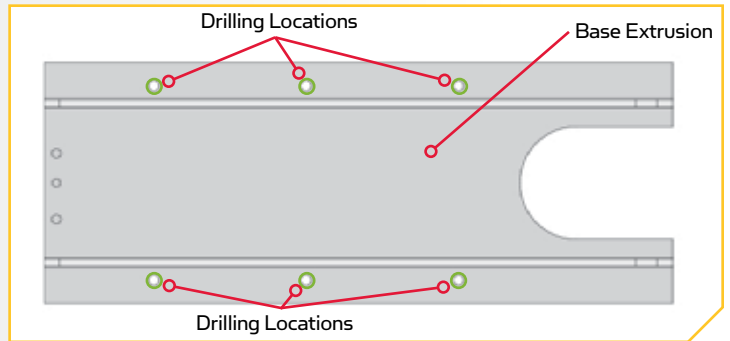
● #4 x 6

- g. When the motor is in the deployed position, make sure that the Shaft is 1-1/2" out past the Gunwale of the boat. The lower unit, when stowed and deployed must not encounter any obstructions.
- h. Check to be sure that the mount is level. Use the Rubber Washers (Item #4) provided to create a level surface if necessary.



6

- i. It is recommended to mark at least 4 of the 6 holes in the Base Extrusion and to have a minimum of two bolts on each side that are located the farthest apart. Ideal installation would allow for 6 bolts to be used, with a minimum of 4.
- j. Drill through the deck of the boat using a 9/32" Drill Bit on the marked locations.



INSTALLING THE RIPTIDE TERROVA

7

ITEM(S) NEEDED

#1 x 6

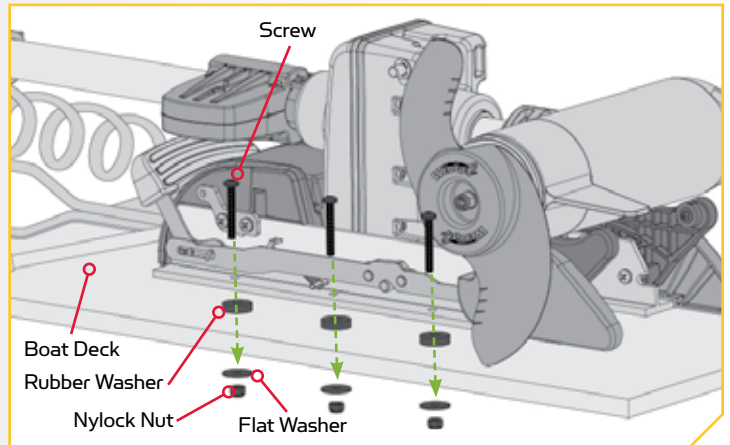
● #2 x 6

○ #3 x 6

● #4 x 6

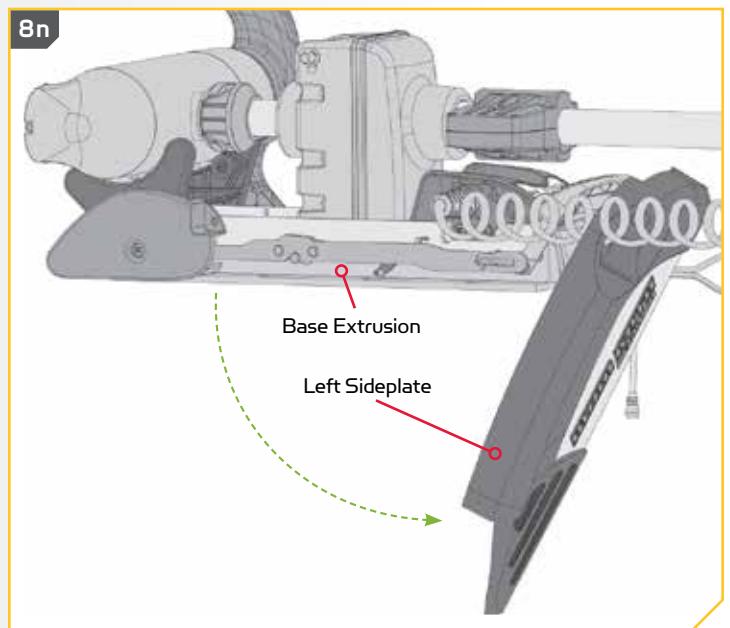
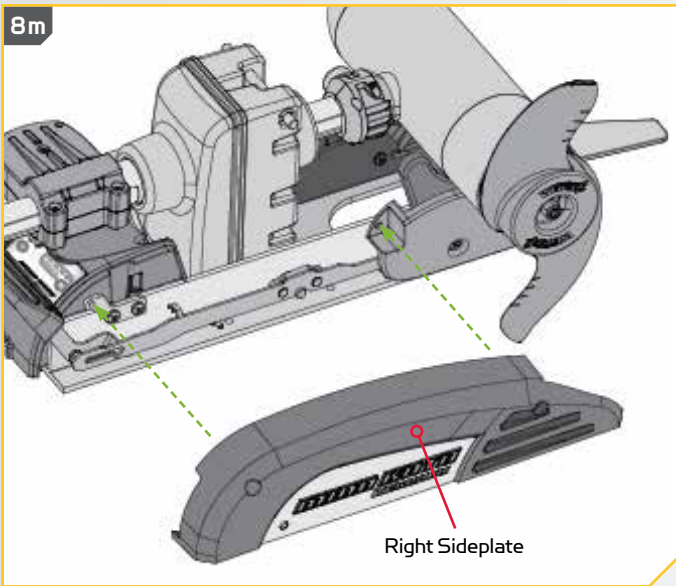
- k. Put a 1/4-20 x 3 1/2" (Item #1) screw in each of the drilled locations. The screw should pass through the Base Extrusion and the boat deck. If the rubber washers (Item #4) are used, they should sit between the Base Extrusion and boat deck. Make sure to secure the motor with screws on each side of the Base Extrusion.
- l. Place a Flat Washer (Item #2) and then a Nylock Nut (Item #3) at the end of each screw as shown and secure. Make sure all hardware is secure.

NOTE: To prevent seizing of the stainless steel hardware, do not use high speed installation tools. Wetting the screws or applying an anti-seize may help prevent seizing.



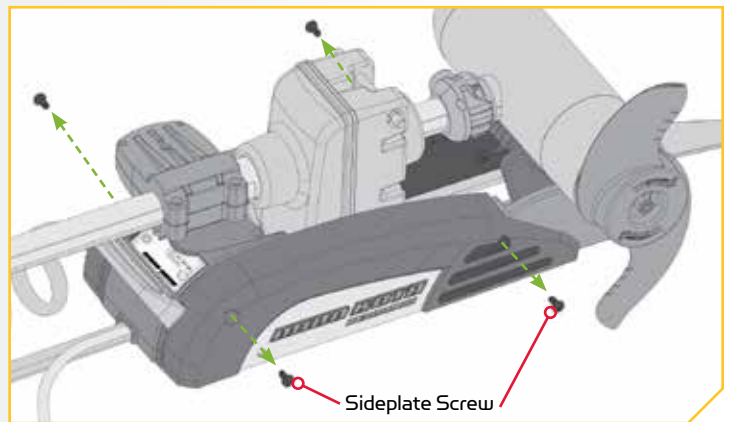
8

- m. Replace the Right Sideplate.
- n. Swing the Left Sideplate back into its correct position on the Base Extrusion.



9

- o. Replace the four sideplate screws using a #3 or #2 Phillips screwdriver. Two of these screws will be located on each side of the mount.



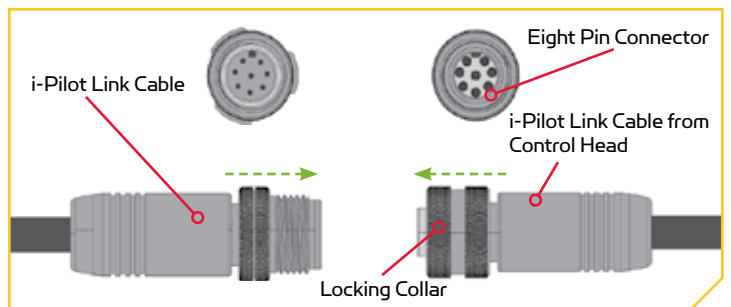
Routing the i-Pilot Link Cable

Your trolling motor will also be pre-installed with either i-Pilot or i-Pilot Link. To learn more about the GPS capabilities available with your i-Pilot or i-Pilot Link navigation system, please refer to the corresponding Owner's Manual by visiting minnkotamotors.com.

The i-Pilot Link features require a cable to be connected to an output device. This connection is present on the trolling motor below the Control Head, if installed. The i-Pilot system does not need an external wired connection. If only one connection is present, your motor is equipped with the i-Pilot Link system. If no connections are present, your motor may or may not be installed with i-Pilot. Please follow the Minn Kota recommendations on routing the cables to optimize mobility and maximize functionality. The routing will be the same regardless of the number of cables present. Use the following instructions to properly route cables.

Cables are shielded to minimize interference. To protect this shielding the cables should not be pulled tight against sharp angles or hard objects. If using cable ties, do not over-tighten. Any excess cable should be bundled in a loose loop of no less than 4" in diameter.

To minimize trolling motor interference, ensure that the fish finder and trolling motor are powered by separate batteries. Please refer to the Battery & Wiring Installation and Motor Wiring Diagram sections of this manual for correct rigging instructions.



ROUTING THE i-PILOT LINK CABLE

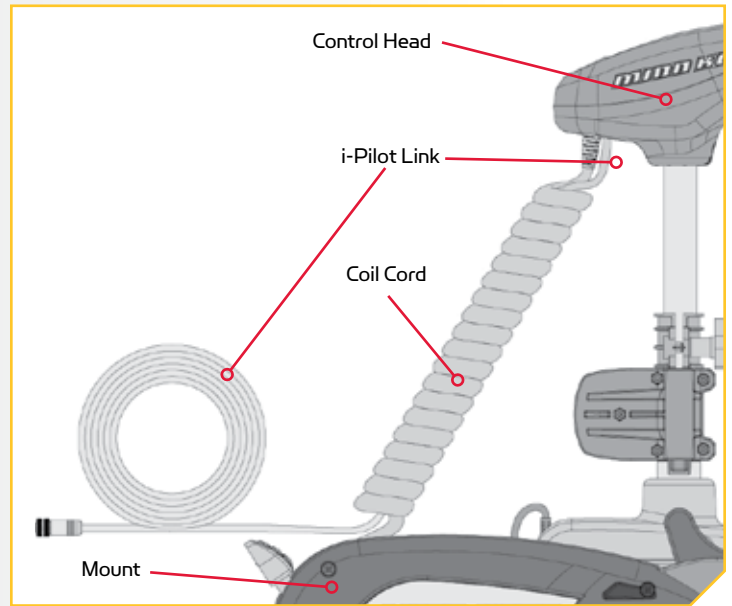
1

- a. Place the motor in the deployed position.
- b. Locate the i-Pilot Link cable, at the base of the Control Head.

CAUTION

Not following the recommended wire routing for the i-Pilot Link cable, if equipped, may cause damage to the product and void your product warranty. Route cables away from pinch points or other areas that may cause them to bend in sharp angles. Routing the cables in any way other than directed may cause damage to the cables by being pinched or severed.

- c. The i-Pilot Link cable should be fed all the way through the Coil Cord. It should exit the Coil Cord at the bottom of the Coil Cord, where it connects to the Mount.



NOTE: After the i-Pilot Link Cable exits the Coil Cord, it should be routed through an established routing system on the boat, in an area with minimal interference. Inspect the selected route carefully to ensure that there are no sharp edges, obstacles, or obstructions that may damage the cables.

BATTERY & WIRING INSTALLATION

BOAT RIGGING & PRODUCT INSTALLATION

For safety and compliance reasons, we recommend that you follow American Boat and Yacht Council (ABYC) standards when rigging your boat. Altering boat wiring should be completed by a qualified marine technician. The following specifications are for general guidelines only:

CAUTION

These guidelines apply to general rigging to support your Minn Kota motor. Powering multiple motors or additional electrical devices from the same power circuit may impact the recommended conductor gauge and circuit breaker size. If you are using wire longer than that provided with your unit, follow the conductor gauge and circuit breaker sizing table below. If your wire extension length is more than 25 feet, we recommend that you contact a qualified marine technician.

CAUTION

An over-current protection device (circuit breaker or fuse) must be used. Coast Guard requirements dictate that each ungrounded current-carrying conductor must be protected by a manually reset, trip-free circuit breaker or fuse. The type (voltage and current rating) of the fuse or circuit breaker must be sized accordingly to the trolling motor used. The table below gives recommended guidelines for circuit breaker sizing.

CONDUCTOR GAUGE AND CIRCUIT BREAKER SIZING TABLE

This conductor and circuit breaker sizing table is only valid for the following assumptions:

1. No more than 2 conductors are bundled together inside of a sheath or conduit outside of engine spaces.
2. Each conductor has 105° C temp rated insulation.
3. No more than 5% voltage drop allowed at full motor power based on published product power requirements.

Motor Thrust / Model	Max Amp Draw	Circuit Breaker	Wire Extension Length				
			5 feet	10 feet	15 feet	20 feet	25 feet
30 lb.	30	50 Amp @ 12 VDC	10 AWG	10 AWG	8 AWG	6 AWG	4 AWG
40 lb., 45 lb.	42		10 AWG	8 AWG	6 AWG	4 AWG	4 AWG
50 lb., 55 lb.	50	60 Amp @ 12 VDC	8 AWG	6 AWG	4 AWG	4 AWG	2 AWG
70 lb.	42	50 Amp @ 24 VDC	10 AWG	10 AWG	8 AWG	8 AWG	6 AWG
80 lb.	56	60 Amp @ 24 VDC	8 AWG	8 AWG	8 AWG	6 AWG	6 AWG
101 lb.	46	50 Amp @ 36 VDC	8 AWG	8 AWG	8 AWG	8 AWG	8 AWG
Engine Mount 101	50	60 Amp @ 36 VDC	8 AWG	6 AWG	4 AWG	4 AWG	2 AWG
112 lb.	52	60 Amp @ 36 VDC	8 AWG	8 AWG	8 AWG	8 AWG	8 AWG
Engine Mount 160	116	(2) x 60 Amp @ 24 VDC	2 AWG	2 AWG	2 AWG	2 AWG	2 AWG
E-Drive	40	50 Amp @ 48 VDC	10 AWG	10 AWG	10 AWG	10 AWG	10 AWG

NOTE: Wire Extension Length refers to the distance from the batteries to the trolling motor leads. Consult website for available thrust options. Maximum Amp Draw values only occur intermittently during select conditions and should not be used as continuous amp load ratings.

Reference

United States Code of Federal Regulations: 33 CFR 183 – Boats and Associated Equipment ABYC E-11: AC and DC Electrical Systems on Boats

SELECTING THE CORRECT BATTERIES

SELECTING THE CORRECT BATTERIES

The motor will operate with any lead acid, deep cycle marine 12 volt battery/batteries. For best results, use a deep cycle, marine battery with at least a 105 amp-hour rating. Maintain battery at full charge. Proper care will ensure having battery power when you need it, and will significantly improve the battery life. Failure to recharge lead-acid batteries (within 12-24 hours) is the leading cause of premature battery failure. Use a multi-stage charger to avoid overcharging. We offer a wide selection of chargers to fit your charging needs. If you are using a crank battery to start a gasoline outboard, we recommend that you use a separate deep cycle marine battery/batteries for your Minn Kota trolling motor. For more information on battery selection and rigging, please visit minnkotamotors.com.

WARNING

Never connect the (+) and the (-) terminals of the same battery together. Take care that no metal object can fall onto the battery and short the terminals. This would immediately lead to a short and extreme fire danger.

CAUTION

Refer to “Conductor Gauge and Circuit Breaker Sizing Table” in the previous section to find the appropriate circuit breaker or fuse for your motor. For motors requiring a 60-amp breaker, the Minn Kota MKR-19 60-amp circuit breaker is recommended.

CAUTION

Please read the following information before connecting your motor to your batteries in order to avoid damaging your motor and/or voiding your warranty.

ADDITIONAL CONSIDERATIONS

Using DC or Alternator Chargers

Your Minn Kota trolling motor may be designed with an internal bonding wire to reduce sonar interference. Most alternator charging systems do not account for this bonding wire, and connect the negative posts of the trolling motor batteries to the negative posts of the crank/starting battery. These external connections can damage connected electronics and the electrical system of your trolling motor, voiding your warranty. Review your charger’s manual carefully or consult the manufacturer prior to use to ensure your charger is compatible.

Minn Kota recommends using Minn Kota brand chargers to recharge the batteries connected to your Minn Kota trolling motor, as they have been engineered to work with motors that include a bonding wire.

Additional Accessories Connected to Trolling Motor Batteries

Significant damage to your Minn Kota motor, your boat electronics, and your boat can occur if incorrect connections are made between your trolling motor batteries and other battery systems. Minn Kota recommends using an exclusive battery system for your trolling motor. Where possible, accessories should be connected to a separate battery system. Radios and sonar units should not be connected to any trolling motor battery systems as interference from the trolling motor is unavoidable. If connecting any additional accessories to any trolling motor battery system, or making connections between the trolling motor batteries and other battery systems on the boat, be sure to carefully observe the information below.

The negative (-) connection must be connected to the negative terminal of the same battery that the trolling motor negative lead connects to. In the diagrams below this battery is labeled “Low Side” Battery. Connecting to any other trolling motor battery will input positive voltage into the “ground” of that accessory, which can cause excess corrosion. Any damage caused by incorrect connections between battery systems will not be covered under warranty.

Automatic Jump Start Systems and Selector Switches

Automatic jump start systems and selector switches tie the negatives of the connected batteries together. Connecting these systems to the “High Side” Battery or “Middle” Battery in the diagrams below and will cause significant damage to your trolling motor and electronics. The only trolling motor battery that is safe to connect to one of these systems is the “Low Side” Battery.

NOTE: The internal bonding wire is equipped with a 3 amp fuse. Improper connections described above carrying in excess of 3 amps will blow this fuse and no further damage will be exhibited. If this occurs, RF interference from the trolling motor affecting sonar units and other electronics will be more significant. If the fuse is blown the wiring error should be found and addressed prior to replacing the fuse. The replacement fuse should be 3 amps or less. An intact fuse does not imply correct rigging; significant damage can be done by incorrect wiring without approaching 3 amps of current.

CONNECTING THE BATTERIES

12 Volt Systems

1. Make sure that the motor is switched off (speed selector on “OFF” or “O”).
2. Connect positive (+) red lead to positive (+) battery terminal.
3. Connect negative (-) black lead to negative (-) battery terminal.
4. For safety reasons do not switch the motor on until the propeller is in the water.

WARNING

For safety reasons do not switch the motor on until the propeller is in the water. If installing a leadwire plug, observe proper polarity and follow instructions in your boat owner’s manual. See wiring diagram on following pages.

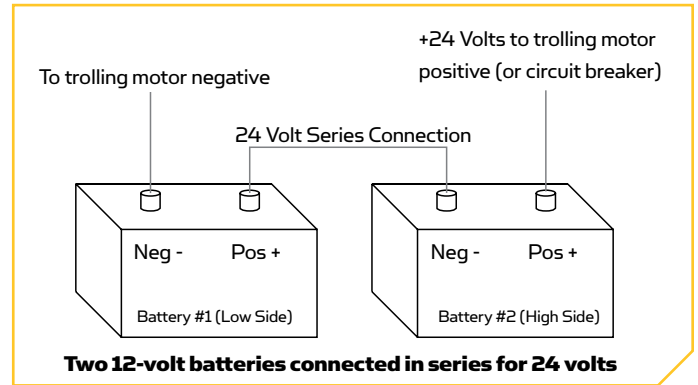
CONNECTING THE BATTERIES IN SERIES

CONNECTING THE BATTERIES IN SERIES (IF REQUIRED FOR YOUR MOTOR)

24 Volt Systems

Two 12 volt batteries are required. The batteries must be wired in series, only as directed in wiring diagram, to provide 24 volts.

1. Make sure that the motor is switched off (speed selector on "0").
2. Connect a connector cable to the positive (+) terminal of battery 1 and to the negative (-) terminal of battery 2.
3. Connect positive (+) red motor lead to positive (+) terminal on battery 2.
4. Connect negative (-) black motor lead to negative (-) terminal of battery 1.



WARNING

For safety reasons do not switch the motor on until the propeller is in the water. If installing a leadwire plug, observe proper polarity and follow instructions in your boat owner's manual.

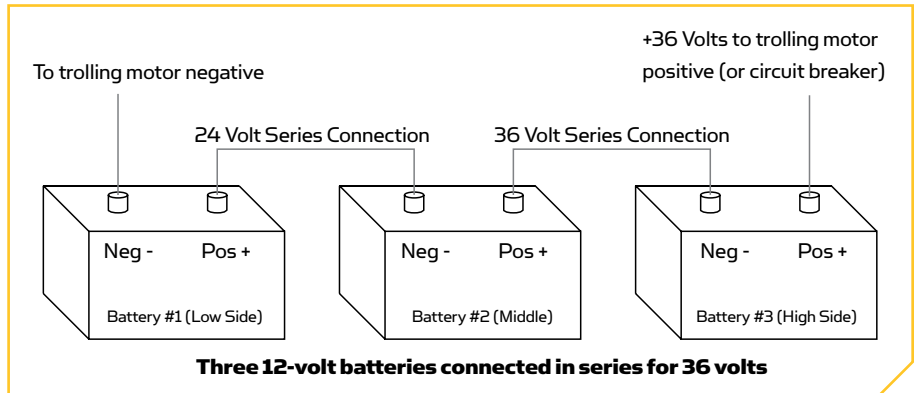
WARNING

- For safety reasons, disconnect the motor from the battery or batteries when the motor is not in use or while the battery/batteries are being charged.
- Improper wiring of 24/36 volt systems could cause battery explosion.
- Keep leadwire wing nut connections tight and solid to battery terminals.
- Locate battery in a ventilated compartment.

36 Volt Systems

Three 12 volt batteries are required. The batteries must be wired in series, only as directed in wiring diagram, to provide 36 volts.

1. Make sure that the motor is switched off (speed selector on "0").
2. Connect a connector cable to the positive (+) terminal of battery 1 and to the negative (-) terminal of battery 2 and another connector cable from the positive (+) terminal of battery 2 to the negative (-) terminal of battery 3.
3. Connect positive (+) red motor lead to positive (+) terminal on battery 3.
4. Connect negative (-) black motor lead to negative (-) terminal of battery 1.



WARNING

For safety reasons do not switch the motor on until the propeller is in the water. If installing a leadwire plug, observe proper polarity and follow instructions in your boat owner's manual.

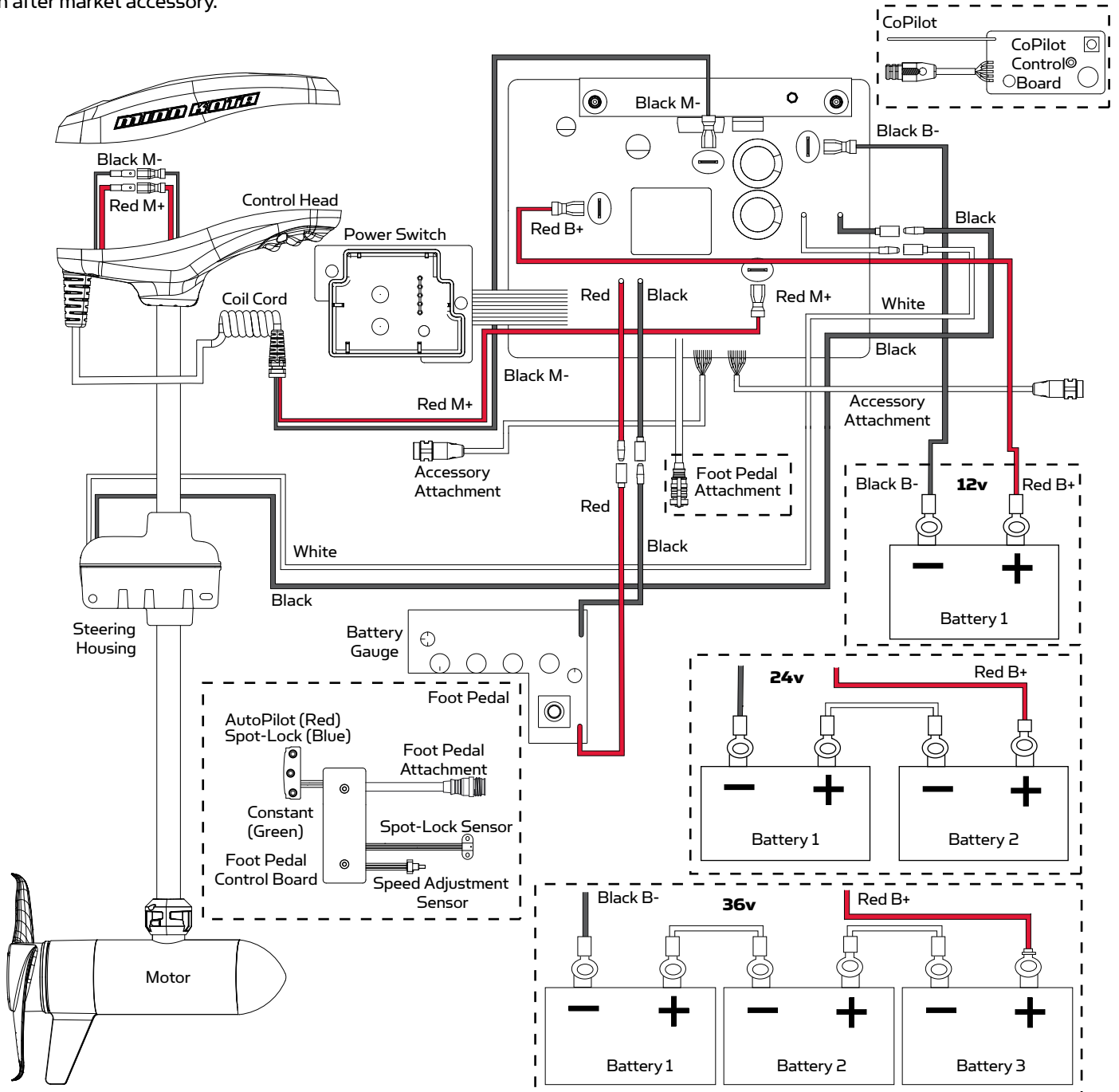
WARNING

- For safety reasons, disconnect the motor from the battery or batteries when the motor is not in use or while the battery/batteries are being charged.
- Improper wiring of 24/36 volt systems could cause battery explosion.
- Keep leadwire wing nut connections tight and solid to battery terminals.
- Locate battery in a ventilated compartment.

MOTOR WIRING DIAGRAM

RIPTIDE TERROVA

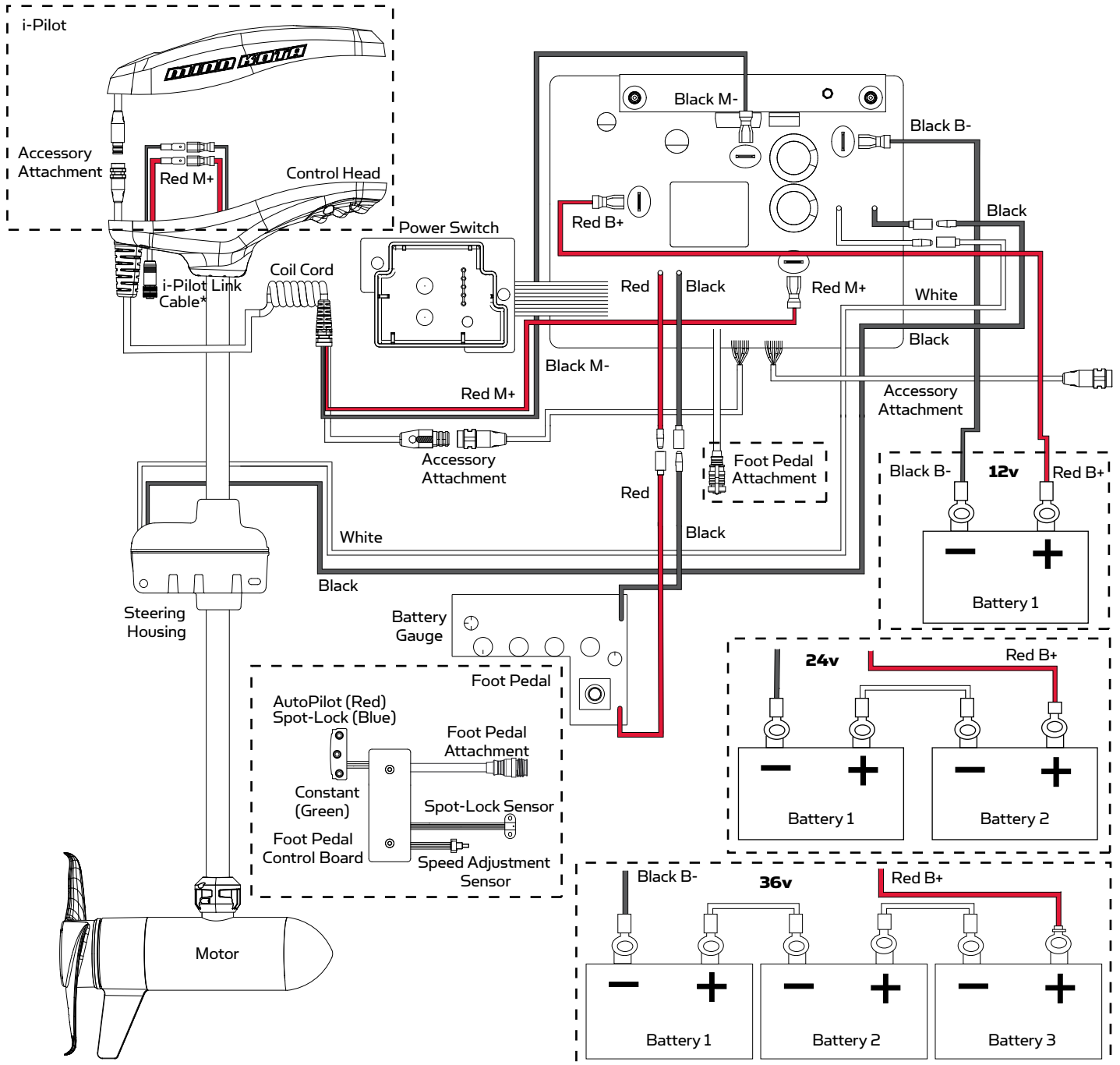
The following Motor Wiring Diagram applies to all RiptideTerrova models that do not come factory installed with i-Pilot or i-Pilot Link. CoPilot may come factory installed, but can also be installed as an after market accessory. A Foot Pedal can be installed as an after market accessory.



NOTE: This is a multi-voltage diagram. Double-check your motor's voltage for proper connections. Over-Current Protection Devices are not shown in this illustration.

RIPTIDE TERROVA WITH i-PILOT OR i-PILOT LINK

The following Motor Wiring Diagram applies to all Riptide Terrova models that come factory installed with either i-Pilot or i-Pilot Link. A Foot Pedal can be installed as an after market accessory.

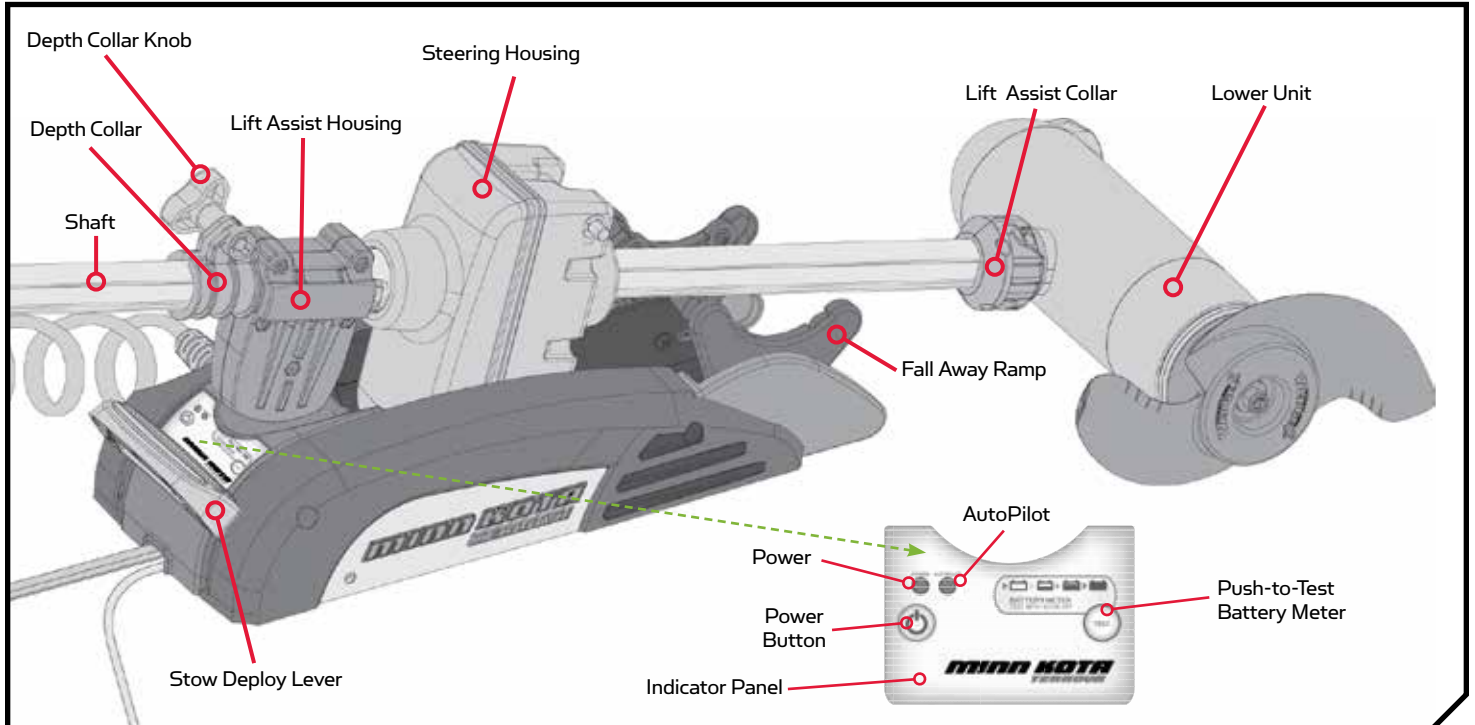


NOTE: This is a multi-voltage diagram. Double-check your motor's voltage for proper connections. Over-Current Protection Devices are not shown in this illustration.

USING & ADJUSTING THE MOTOR

MOUNT FEATURES

Become familiar with the features of the motor to maximize the capabilities this product offers.



Depth Collar & Depth Collar Knob

The Depth Collar is located on the Shaft above the Lift Assist Housing. It functions to hold the motor at the proper depth while deployed. It also functions to hold the Lower Unit in place when stowed while not in use and during transport. The Depth Collar Knob is used to loosen and tighten the Depth Collar so that it can be used to slide up and down the motor shaft.

WARNING

When the motor is being transported, it is important to place the Depth Collar snug against the Lift Assist Housing and tighten. This provides a secure stow and holds the motor in place during transportation when it is subject to high levels of shock and vibration. Failure to secure the motor may result in injury or damage to the unit.


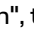

Fall Away Ramps

The Fall Away Ramps hold the Lower Unit when the Motor is stowed and rotate to release the Lower Unit as the unit is being deployed. When the Stow Deploy Lever is pressed it unlocks the position of the Fall Away Ramps and the Ramps rotate to guide the Lower Unit back onto the mount when the motor is stowed.

WARNING

When stowing or deploying the motor, keep fingers clear of all hinge and pivot points and all moving parts.

Power Button

The Power button  is located on the Indicator Panel on the Mount. The TerraNova must be manually powered "on" and "off". When the Motor is powered "on", the Power Indicator will be illuminated green  when the Motor is powered "off", the Power Indicator will not be illuminated .

 **CAUTION**

For safety reasons, disconnect the motor from the battery/batteries when the motor is not in use or while the battery/batteries are being charged. If the motor control is left on and the propeller rotation is blocked, severe motor damage can result.

AutoPilot

The AutoPilot Indicator is located on the Indicator Panel on the Mount. It is illuminated green  when AutoPilot is engaged and it is not illuminated  when AutoPilot is not engaged.

Stow Deploy Lever

The Stow Deploy Lever is located at the top of the mount. The Stow Deploy Lever functions to unlatch the Fall Away Ramps which rotate to guide the Lower Unit. The Stow Deploy Lever is actuated by pressing it down.

STOWING AND DEPLOYING THE MOTOR

To Deploy the Motor

Loosen the Depth Collar, then push firmly down on the Stow Deploy Lever to release the Lift Assist Collar and slide the motor forward, out from the Fall Away Ramp. Lower the motor to the desired depth. Make sure it clicks into a secure, vertical position. Once at the desired depth, slide the Depth Collar against the Lift Assist Housing and tighten.

To Stow the Motor

Loosen the Depth Collar and depress the Stow Deploy Lever. Raise the motor by pulling up on the Shaft or Control Head. Pull the motor toward the stern until it rests securely on the Fall Away Ramp and the Fall Away Ramps captures the Lower Unit. Slide the Depth Collar down and secure it against the top of the Lift Assist Housing to secure the motor in place and prevent accidental deployment.

 **WARNING**

When stowing or deploying the motor, keep fingers clear of all hinge and pivot points and all moving parts.

 **WARNING**

The Control Head will create a pinch point if the Depth Collar Knob is loosened and the Control Head slides to the top of the Depth Collar. Grasp the Shaft and prevent it from sliding all the way down to prevent the pinch point.

Practice proper ergonomics when stowing and deploying the motor to prevent injury.

 **WARNING**

Moving parts can cut or crush. The Lift Assist Housing can come off of Steering Housing and create a crushing hazard. Keep fingers clear of all moving parts.

 **WARNING**

If a propeller encounters an obstruction while running, the increased electrical current being generated by the obstruction will signal the motor to decrease the power to the propeller to prevent damage. If the current overload is detected for more than 20 seconds, the prop will be disabled to prevent damage to the motor. In this event, the operator can turn the prop back on after being sure that the obstruction has been cleared.

ADJUSTING THE DEPTH OF THE MOTOR

PUSH-TO-TEST BATTERY METER

This motor is equipped with a Push-to-Test Battery Meter. The LED located on the Indicator Panel on the Mount of the motor. The Battery Meter provides an accurate display of the remaining charge in the battery. It is only accurate when the motor is off. The meter reads as follows:

- One light indicates recharge.
- Two lights indicate low charge.
- Three lights indicate good charge.
- Four lights indicate full charge.

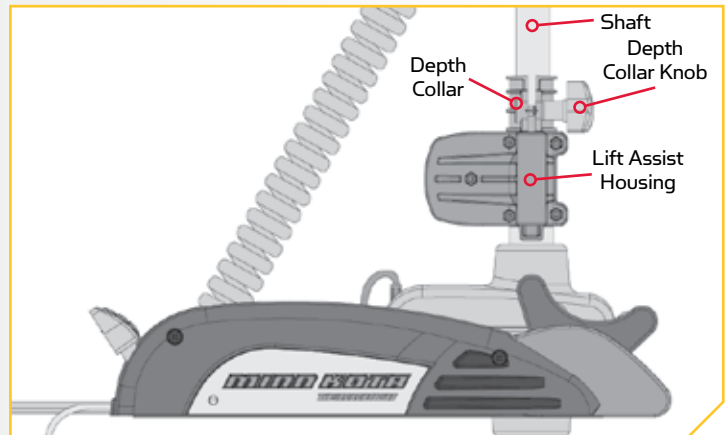


MOTOR ADJUSTMENTS

Adjusting the Depth of the Motor

Once the boat is on the water, it may be necessary to adjust the Lower Unit up or down to achieve an optimum depth for motor performance. When setting the depth of the motor, be sure the top of the motor is submerged at least 12" below the surface of the water to avoid churning or agitation of surface water.

- 1
 - a. With the motor in the deployed position, locate the Depth Collar on the Shaft above the Lift Assist Housing.
 - b. While holding the Shaft, loosen the Depth Collar Knob until the Shaft can slide up and down freely.



WARNING

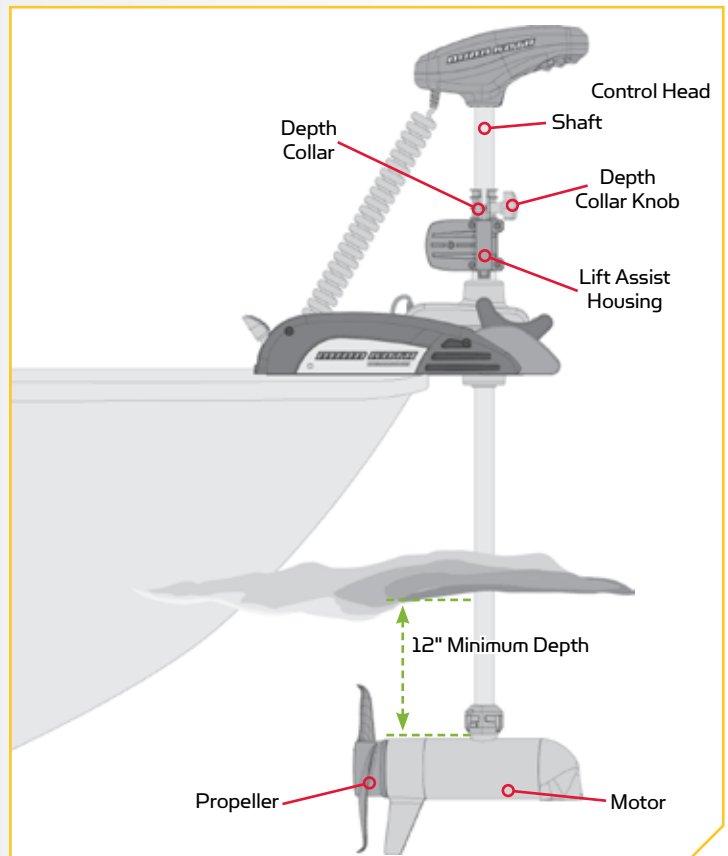
The Control Head will create a pinch point if the Depth Collar Knob is loosened and the Control Head slides to the top of the Depth Collar. Grasp the Shaft and prevent it from sliding all the way down to prevent the pinch point.

- 2
 - c. Raise or lower the motor to the desired depth.
 - d. Turn the motor Control Head to the desired position.
 - e. Slide the Depth Collar against the Steering Housing and tighten the Depth Collar Knob to secure the motor in place.

NOTE: Be sure the top of the motor is submerged at least 12" below the surface of the water to avoid churning or agitation of surface water.

WARNING

The Lift Assist Housing contains a spring that may break from excessive wear. Watch for sharp points that can be a puncture hazard. Always use care when handling the motor.



Adjusting the Lower Unit for a Secure Stow

When the Motor is stowed, the Lower Unit should rest on the Fall Away Ramps, a part of the Motor Mount. It is recommended to secure the motor using the following instructions to avoid damage to the motor and shaft from vibrations during transport.

1

- a. Before transporting the boat over water or land, stow the motor to determine where the Lower Unit rests on the Fall Away Ramps.

NOTE: The correct positioning of the Lower Unit will place it directly on the Fall Away Ramps.

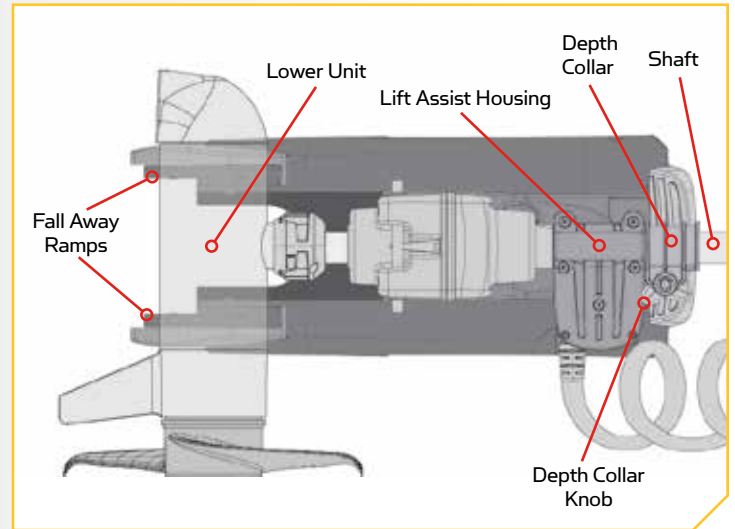
- b. If the Lower Unit does not sit on the Fall Away Ramps, deploy the motor, and stow it again.
- c. Be sure to press the Stow Deploy Lever and adjust the Motor to allow it to rest on the Fall Away Ramps.

CAUTION

The Lower Unit should be placed on the Mount Ramps every time the motor is transported. If the Lower Unit is improperly placed, either above or below the Motor Rest Area, damage to the Lower Unit or Shaft will occur and the Shaft will be incorrectly captured. Not following the recommended placement for the Lower Unit will cause damage to the product and void your product warranty.

WARNING

When the motor is being transported, it is important to place the Depth Collar snug against the Lift Assist Housing and tighten. This provides a secure stow and holds the motor in place during transportation when it is subject to high levels of shock and vibration. Failure to secure the motor may result in injury or damage to the unit.



NOTE: Slide the Depth Collar down and secure it against the top of the Steering Housing when stowed to secure the motor in place and prevent accidental deployment.

Installing an External Transducer

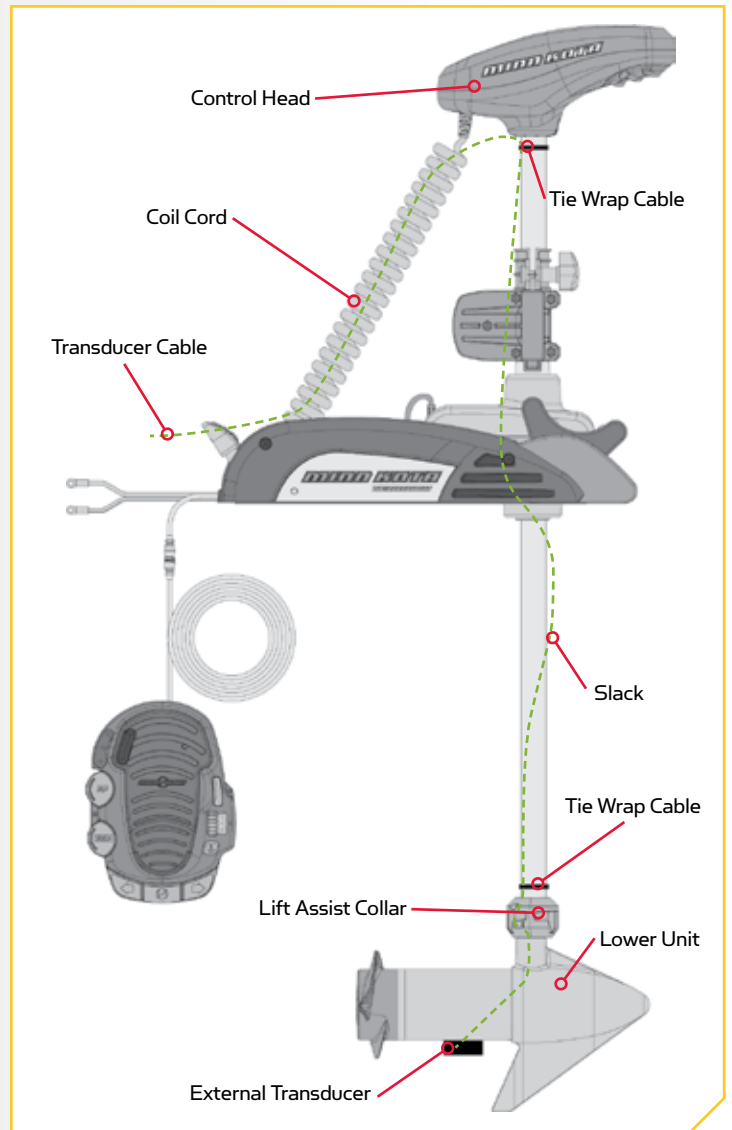
Your trolling motor may be pre-installed with a Universal Sonar transducer system. For compatibility and more information on Universal Sonar, please visit minnkotamotors.com. An external transducer is not included with your trolling motor. An external transducer can be installed onto the motor.

1

- a. Mount the External Transducer according to directions provided with the transducer.
- b. Leave enough slack in the Transducer Cable between the Lower Unit and Control Head to allow the motor to properly stow and deploy.
- c. Use two tie wrap cables to secure the Transducer Cable to the Shaft just above the Lift Assist Collar and just below the Control Head.
- d. Run the Transducer Cable through the Coil Cord to the power supply.

CAUTION

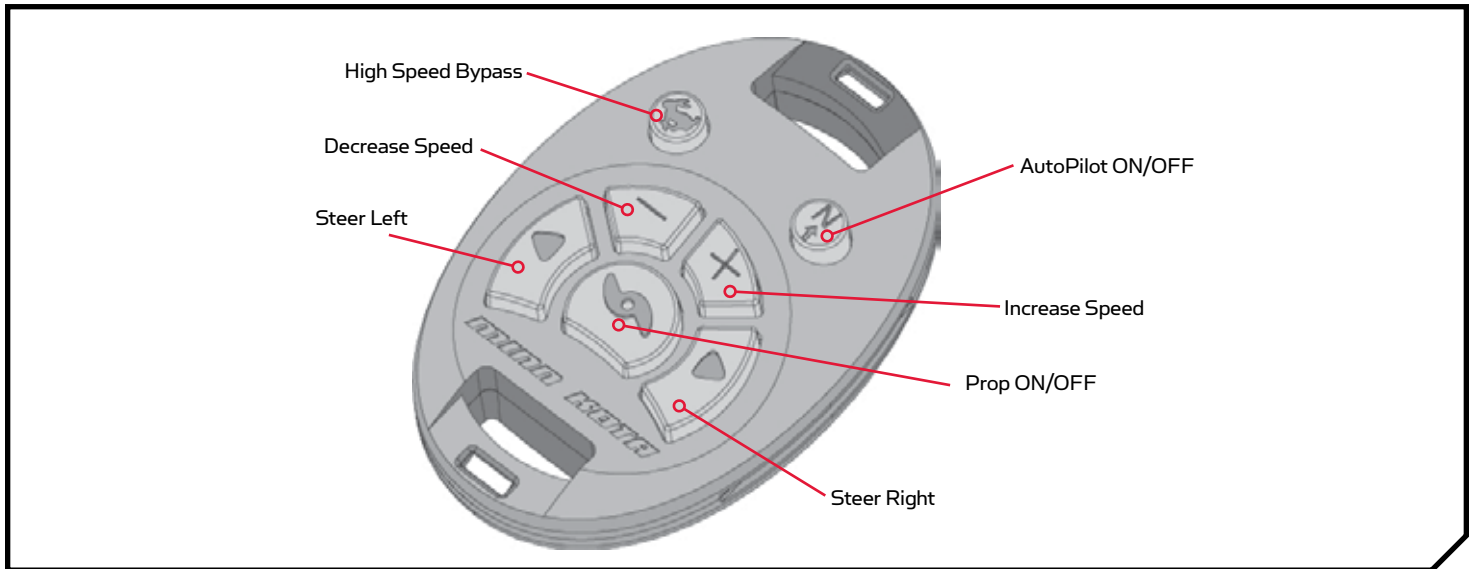
Not following the recommended wire routing for the Universal Sonar may cause damage to the product and void your product warranty. Take care to test the length and placement of cable to be sure that there is enough slack where needed and that cables are free of being entangled in moving parts. Routing the cables in any way other than directed may cause damage to the cables by being pinched or severed.



COPILOT

CONTROLLING THE MOTOR WITH COPILOT

Review the complete CoPilot section of this manual to become familiar with this feature. For more information on CoPilot or for additional product support, please visit minnkotamotors.com.



Prop ON/OFF

This button is located in the middle of the remote. It turns the propeller on or off. Press the button once to turn the propeller ON; press button a second time to turn it OFF. The button does not need to be held down.

Steer Left & Steer Right

These buttons are located to the right and left of the Prop ON/OFF button and have an arrow symbol. They cause the motor to turn in the desired direction as long as the button is held down. If the Steer Right or Steer Left button is held for more than seven seconds, the steering will automatically stop until the button is pressed again.

Increase Speed & Decrease Speed

The Increase Speed and Decrease Speed buttons are located above the Prop ON/OFF button and are identified with a positive and negative symbol. Pressing and releasing these buttons causes the speed to increase or decrease by increments of 1. The speed is adjustable from level 0-10. At level 0, the prop will not turn.

In audio mode 2, an audible beep is heard for each increment when changing speed. Attempting to go higher than speed 10 or lower than speed 0 will result in the speed not changing and no beep will be heard. See the Audio Mode section for more information.

If the receiver senses no foot pedal or remote operation for 1 hour, the remote speed setting is automatically set to zero. This helps prevent unintentional activation of the propeller if the prop on/off remote button is inadvertently pressed.

Autopilot On/Off

The AutoPilot button is located on the top right side of the remote. It functions to turn AutoPilot on or off. The button does not need to be held down. If the motor does not have AutoPilot, the AUTOPILOT ON/OFF button will be non-functional.

High Speed Bypass

The High Speed Bypass button is located on the top left side of the remote. It toggles the speed between the current speed setting and the maximum speed setting (level 10). Pressing the button sets the motor at speed 10 instantly; pressing the button again sets the motor speed back to the previous speed setting.

COPILOT GENERAL OPERATION

Operating with the Remote and Foot Pedal

- The CoPilot and foot pedal can be used for motor control simultaneously.
- The foot pedal and CoPilot remote operate on a first-in-line priority basis. If a button is pressed and held down on the foot pedal and a button with the same function is then pressed on the remote, the foot pedal will have priority. The remote would have priority if the remote was first to send the command.
- Multiple functions can be performed at the same time. For instance, AutoPilot can be turned on or off from the remote while speed is being adjusted on the foot pedal. If the momentary button is being held down on the corded foot pedal, steering adjustments can be made at the same time from the remote.
- When the momentary button is being held down on the foot pedal, speed increase/decrease and prop on/off will not function on the remote.
- When the foot pedal has priority over the remote and remote commands are received, the receiver will emit an audible chirp. This will indicate that the remote is functioning properly however the foot pedal is taking priority.

Operating without the Foot Pedal

- If the foot pedal is not being used, the CoPilot receiver will always react to any commands from the CoPilot remote.

AUDIO MODES

There are three receiver Audio Modes available. The unit is factory set to Audio Mode 2. To switch from one audio mode to another, simultaneously press and hold the increase and decrease speed buttons for one second. The receiver will respond with 1, 2 or 3 audible beeps indicating the corresponding receiver audio mode change.

Audio Mode	Function
Mode 1	All of the normal audible sounds mentioned in this owners manual, but no audible beeps for speed increase/decrease or prop on/off.
Mode 2	Same as audio mode 1 plus an audible beep for speed increase / decrease and prop on/off.
Mode 3	Same as audio mode 2 plus the prop on audible tick every 1.5 seconds.

NOTE: When the Foot Pedal is operating the motor and the propeller is on, the prop on indicator tick will be heard if the receiver is set to Audio Mode 3.

Audio Pattern	What Condition Causes Audio Pattern	Audio Mode
1 Beep	Pressing the Increase Speed or Decrease Speed button	Modes 2 and 3
1 Beep	Pressing the Prop ON/OFF button to turn the Prop on	Modes 2 and 3
2 Beeps	Pressing the Prop ON/OFF button to turn the Prop off	Modes 2 and 3
Single tick every 1.5 seconds	When the Prop is active including when Speed is set to 0	Mode 3
1 Beep	Switching to audio Mode 1	All
2 Beeps	Switching to audio Mode 2	All
3 Beeps	Switching to audio Mode 3	All
1 Chirp	Every time the receiver is powered up and there is at least one remote learned	All
2 second long Beep	Every time the receiver is powered up and there are no remotes learned	All
5 Beeps	Foot pedal speed control is moved after speed has been adjusted with remote	All
Steady Tone	Heard while holding down the Learn button on the receiver	All
4 Beeps	Heard after a remote button is pressed while the receiver learns it.	All
Ten second warbling sound that transitions into a steady tone	Heard during the process used to clear all stored remotes after the learn switch is released, a 2 second long beep will be heard	All
1 long Beep, 2 short Beeps, pause (repeat)	Powered up with Momentary/Constant Switch in the CON position (or the Momentary Button held) when the Foot Pedal is moved to momentary, the power up audio will be heard	All

ADDING/REMOVING REMOTES

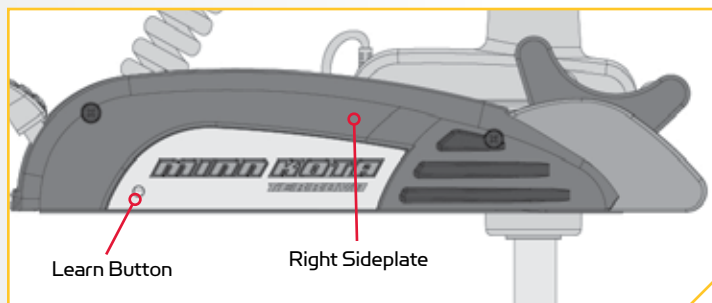
The CoPilot remote came from the factory already "Learned" by the CoPilot receiver. Any additional remotes must be "Learned" by the receiver. The receiver stores all "Learned" information even when the motor is disconnected from a power source.

To "Learn" Remotes

Your receiver may learn up to ten remotes. Any additional remotes can be "Learned" using the following steps. This will also work to "Learn" any remote if all remotes are erased from the receiver.

1

- Using a small blunt object such as a pen or screwdriver, press and hold the Learn Button located on the side of the receiver.
- The receiver will emit a continuous tone.



2

- Press any button on the remote.
- The receiver will beep 4 times confirming that it has "Learned" the remote successfully.

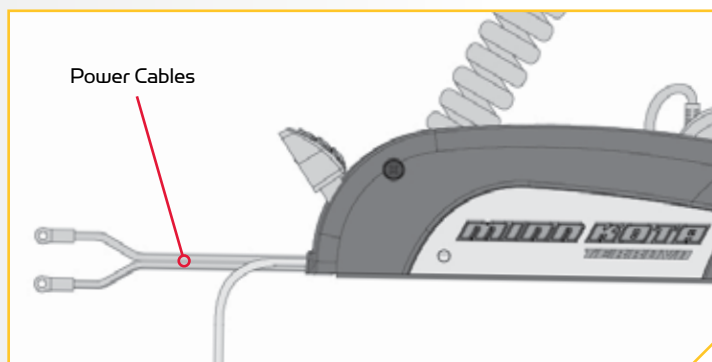
NOTE: "Learning" the same remote will not overwrite previously "Learned" remotes. If the receiver has "Learned" ten remotes, "Learning" an eleventh remote will overwrite the first remote.



To Erase All Remotes from the Receiver

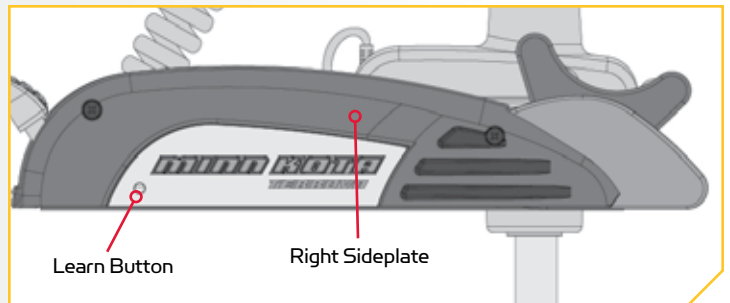
1

- Remove power from the CoPilot receiver by disconnecting the Power Cables, or by making sure that the breaker, if equipped, is "off".



2

- b. Press and hold the Learn Button and power up the CoPilot receiver by reconnecting the Power Cables, or by making sure that the breaker, if equipped, is "on".
- c. Continue to hold the Learn Button down for 10 seconds. During this time the receiver audio will emit a warble sound, slowly transition to a constant beep and then shut off.
- d. Release the Learn Button and the receiver will reboot. The receiver will emit a 2 second long beep indicating memory is empty. This audio pattern will occur each time the receiver powers up until a remote is "Learned".



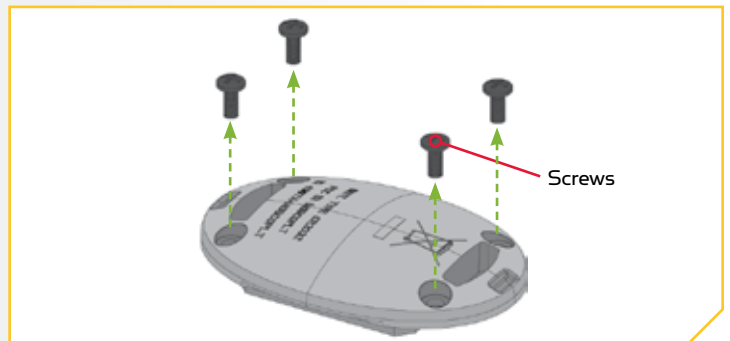
REPLACING THE BATTERY

1

- a. Temporarily ground yourself by touching a grounded metal object in order to discharge any static electricity in your body.

NOTE: The replacement battery must be a model CR2032 coin cell type. It is strongly recommended that a name brand battery is used.

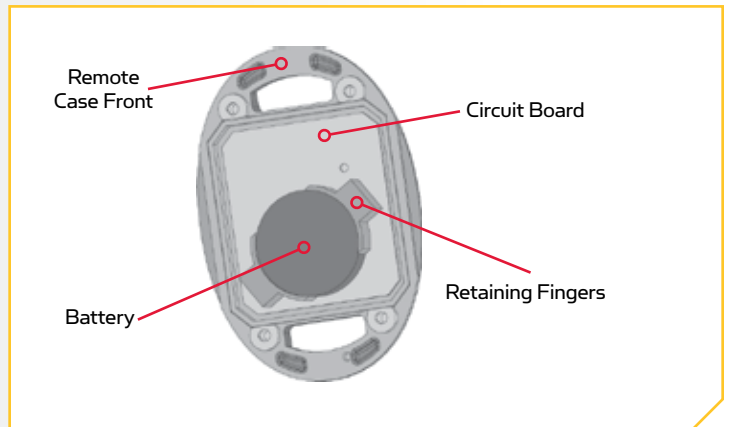
- b. Remove the four screws on the bottom of the remote case.
- c. Separate the case halves to access the circuit board.



2

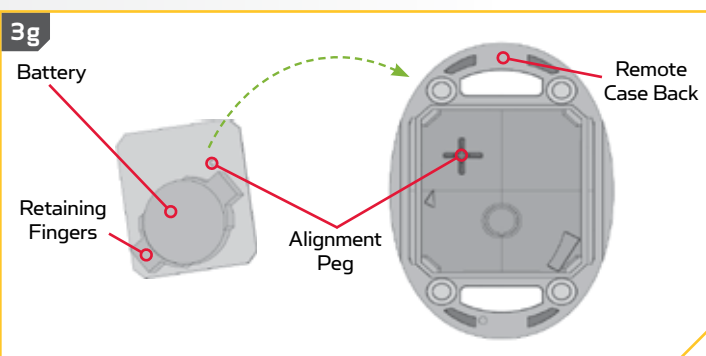
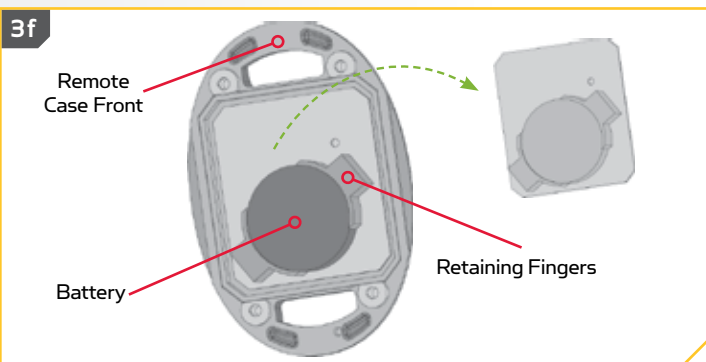
- d. To remove the Battery, place the tip of a finger or thumb under the exposed edge of the Battery and pry it upwards.
- e. Install the new battery with the positive (+) side of the Battery facing up and away from the Circuit Board. Ensure Battery is snapped securely in place.

NOTE: The replacement battery must be a model CR2032 coin cell type. It is strongly recommended that a name brand battery is used.



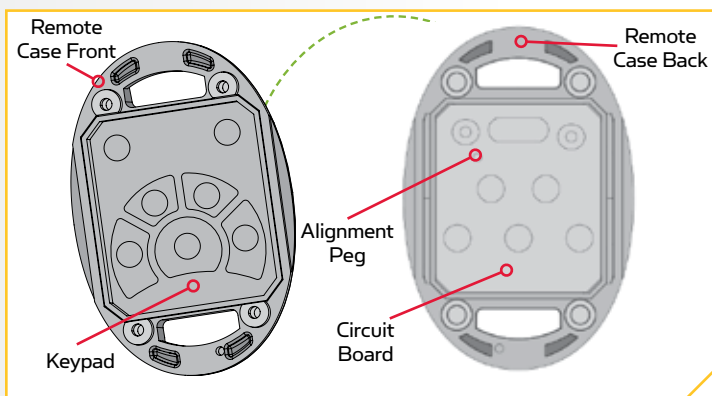
3

- d. Reassemble the remote. Begin by removing the board from the front of the remote case. This is the same board that holds the battery. Leave the Keypad in place on the front of the remote.
- e. Note that the alignment peg in the back of remote case must line up with the corresponding alignment hole in the circuit board. Place the board with the battery facing down on the back of the remote case.



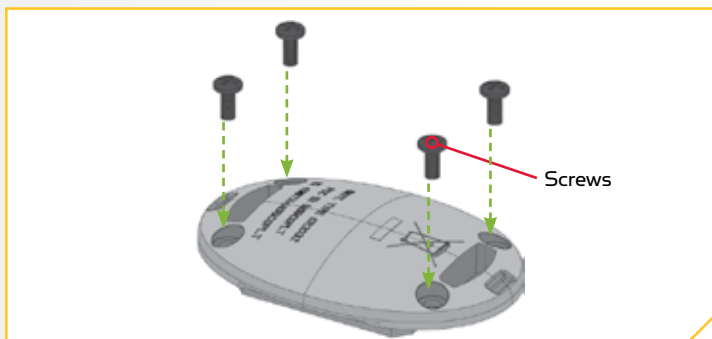
4

- f. Position the back of the remote case so that the Alignment peg is towards the top when the remote is laying on a flat surface. Position the front of the remote case so the keypad and the curved buttons are towards the bottom when the remote is laying on a flat surface.
- g. Keep the back of the Remote Case flat. Place the front of the Remote Case, with the Keypad in place, on the back of the Remote Case. Make sure the Case is seated.



5

- h. Reinstall the four case screws and tighten them as required.



SERVICE & MAINTENANCE

PROPELLER REPLACEMENT

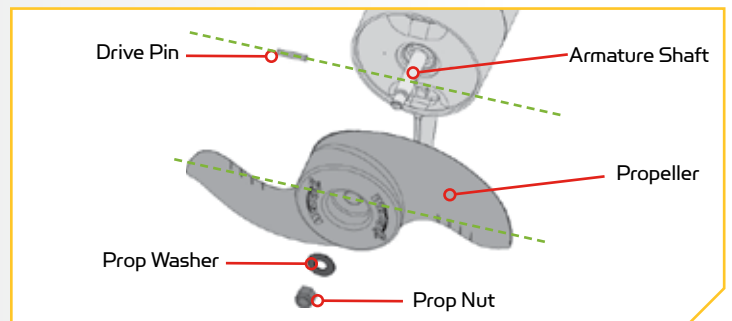
TOOLS AND RESOURCES REQUIRED

- 9/16" Open End Wrench
- Flat Blade Screwdriver

INSTALLATION

- a. Disconnect the motor from all sources of power prior to changing the propeller.
 - b. Hold the propeller and loosen the Prop Nut with a pliers or a wrench.
 - c. Remove the Prop Nut and Prop Washer.

NOTE: If the Drive Pin is sheared or broken, you will need to hold the shaft stationary with a flat blade screwdriver pressed into the slot on the end of the shaft while you loosen the Prop Nut.



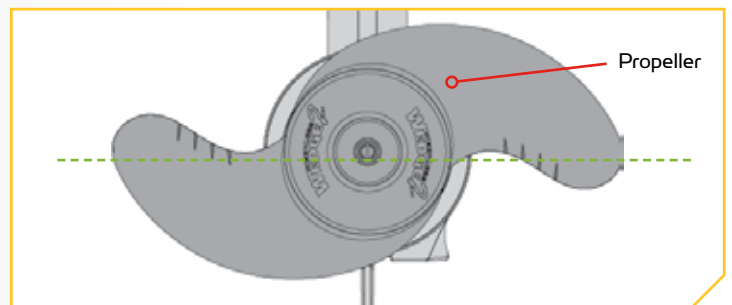
CAUTION

Disconnect the motor from the battery before beginning any prop work or maintenance.

- d. Turn the old prop to horizontal and pull it straight off. If drive pin falls out, push it back in.

CAUTION

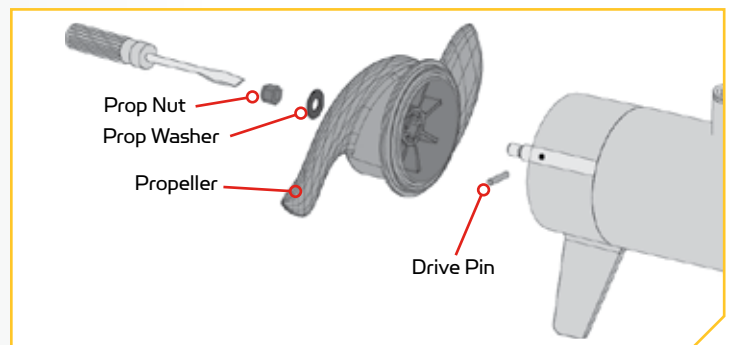
If the prop does not readily slide off, take care to not bend the Armature Shaft while removing the prop by pulling the prop evenly off the Armature Shaft.



- e. Align the new Propeller with the Drive Pin.
 - f. Install the Prop Washer and Prop Nut.
 - g. Tighten the Prop Nut 1/4 turn past snug at 25-35 inch-lbs.

CAUTION

Do not over tighten as this can damage the prop.



GENERAL MAINTENANCE

- After every use, the entire motor should be rinsed with freshwater, then wiped down with a cloth dampened with an aqueous based silicone spray. Do not spray water into the ventilation openings in the head of the motor.
- The composite shaft requires periodic cleaning and lubrication for proper retraction and deployment. A coating of an aqueous based silicone spray will improve operation.
- The propeller must be inspected and cleaned from weeds and fishing line after every use. Fishing line and weeds can get behind the prop, damage the seals and allow water to enter the motor.
- Verify the anode is secure each time the motor is used.
- To prevent accidental damage during transportation or storage, disconnect the battery whenever the motor is off of the water. For prolonged storage, lightly coat all metal parts with an aqueous based silicone spray.
- For maximum battery life recharge the battery(s) as soon as possible after use. For maximum motor performance restore battery to full charge prior to use.
- Keep battery terminals clean with fine sandpaper or emery cloth (flooded lead acid only).
- The propeller is designed to provide weed free operation with very high efficiency. To maintain this top performance, the leading edge of the blades must be kept smooth. If they are rough or nicked from use, restore to smooth by sanding with fine sandpaper.

TROUBLESHOOTING

1. Motor fails to run or lacks power:
 - Check battery connections for proper polarity.
 - Make sure terminals are clean and corrosion free. Use fine sandpaper or emery cloth to clean terminals.
 - Check battery water level. Add water if needed.
2. Motor loses power after a short running time:
 - Check battery charge. If low, restore to full charge.
3. Motor is difficult to steer:
 - Check steering cables for proper tension. Adjust as necessary.
4. You experience prop vibration during normal operation:
 - Remove and rotate the prop 180°. See removal instructions in the Propeller Replacement Section.
5. Experiencing interference with your fishfinder:
 - You may, in some applications, experience interference in your depth finder display. We recommend that you use a separate deep cycle marine battery for your trolling motor and that you power the depth finder from the starting/cranking battery. If problems still persist, call our service department at 1-800-227-6433.

NOTE: For all other malfunctions, visit an Authorized Service Center. You can search for an Authorized Service Center in your area by visiting our Authorized Service page, found online at minnkotamotors.com, or by calling our customer service number at 800-227-6433.


TROUBLESHOOTING THE COPILOT


Cause	Effect	Solution
Remote is not transmitting.	The battery is discharged.	Replace battery.
	Receiver may not have "learned" the remote.	Remote needs to be learned. See the Adding/Removing Remotes section of this manual to learn the remote.
	With the foot pedal connected, the MOM-CON switch is in the CON position. An audio response will be heard if a button is pressed with the foot pedal in the CON position.	The foot pedal switch must be placed in Momentary Mode (MOM). The receiver will not accept any commands from the remote with the switch in the Constant Mode (CON) position.
	If remote has been taken apart, the keypad and top case may have been installed backwards.	Take remote apart. See the Replacing the Battery section of this manual and reinstall case halves with the proper orientation.
When receiver is powered up, it sounds a beep pattern (1 long beep, 2 short beeps, pause, repeat).	The foot pedal Momentary/Constant Switch is in the CON position.	The foot pedal switch must be placed in the MOM position. The beeping sound will continue until the switch is placed in the MOM position.
The prop is not turning but the Prop ON audio pattern is still going.	Prop Speed is set at "0".	Increase the Prop Speed above "0"
	The Prop ON audio pattern occurs only in Audio Mode 3	Switch Audio Mode to either Audio 1 or 2. See the Audio Modes section of this manual.

FOR FURTHER TROUBLESHOOTING AND REPAIR


We offer several options to help you troubleshoot and/or repair your product. Please read through the options listed below.

 **Buy Parts Online**
 You can buy parts online directly from our website at www.minnkotamotors.com. Orders confirmed by 12 noon central time will ship same day if in stock. Orders after 12 noon central time will ship the next business day if in stock.

 **Frequently Asked Questions**
 We have FAQs available on our website to help answer all of your Minn Kota questions. Visit minnkotamotors.com and click on "Frequently Asked Questions" to find an answer to your question.

 **Call Us (for U.S. and Canada)**
 Our consumer service representatives are available Monday – Friday between 7:00 a.m. – 4:30 p.m. CST at 800-227-6433. If you are calling to order parts, please have the 11-character serial number from your product, specific part numbers, and credit card information available. This will help expedite your call and allow us to provide you with the best consumer service possible. You can reference the parts list located in your manual to identify the specific part numbers.

 **Email Us**
 You can email our consumer service department with questions regarding your Minn Kota products. To email your question, visit minnkotamotors.com and click on "Support".

 **Authorized Service Centers**
 Minn Kota has over 300 authorized service centers in the United States and Canada where you can purchase parts or get your products repaired. Please visit our Authorized Service Center page on our website to locate a service center in your area.



QR to service section of website.

COMPLIANCE STATEMENTS

ENVIRONMENTAL COMPLIANCE STATEMENT

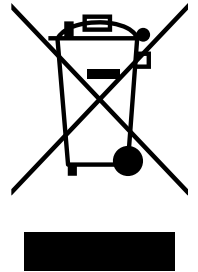
It is the intention of JOME to be a responsible corporate citizen, operating in compliance with known and applicable environmental regulations, and a good neighbor in the communities where we make or sell our products.

WEEE DIRECTIVE

EU Directive 2002/96/EC "Waste of Electrical and Electronic Equipment Directive (WEEE)" impacts most distributors, sellers, and manufacturers of consumer electronics in the European Union. The WEEE Directive requires the producer of consumer electronics to take responsibility for the management of waste from their products to achieve environmentally responsible disposal during the product life cycle.

WEEE compliance may not be required in your location for electrical & electronic equipment (EEE), nor may it be required for EEE designed and intended as fixed or temporary installation in transportation vehicles such as automobiles, aircraft, and boats. In some European Union member states, these vehicles are considered outside of the scope of the Directive, and EEE for those applications can be considered excluded from the WEEE Directive requirement.

This symbol (WEEE wheelie bin) on product indicates the product must not be disposed of with other household refuse. It must be disposed of and collected for recycling and recovery of waste EEE. Johnson Outdoors Inc. will mark all EEE products in accordance with the WEEE Directive. It is our goal to comply in the collection, treatment, recovery, and environmentally sound disposal of those products; however, these requirements do vary within European Union member states. For more information about where you should dispose of your waste equipment for recycling and recovery and/or your European Union member state requirements, please contact your dealer or distributor from which your product was purchased.



DISPOSAL

Minn Kota motors are not subject to the disposal regulations EAG-VO (electric devices directive) that implements the WEEE directive. Nevertheless never dispose of your Minn Kota motor in a garbage bin but at the proper place of collection of your local town council.

Never dispose of battery in a garbage bin. Comply with the disposal directions of the manufacturer or his representative and dispose of them at the proper place of collection of your local town council.



WARNING

This product contains chemicals known to the State of California to cause cancer and birth defects or other reproductive harm.

REGULATORY COMPLIANCE INFORMATION

i-Pilot Equipped Motors

For regulatory information on motors that come factory installed with i-Pilot, please refer to the i-Pilot Owner's Manual online at minnkotamotors.com.

i-Pilot Link Equipped Motors

For regulatory information on motors that come factory installed with i-Pilot Link, please refer to the i-Pilot Link Owner's Manual online at minnkotamotors.com.

Model: CoPilot

This is only applicable to motors factory installed with CoPilot

- Contains IC: 4397A-M05COPLT
- Contains FCC ID: M05COPLT



FCC COMPLIANCE

This device complies with Part 15 of the FCC rules.

Operation is subject to the following two conditions:

1. This device may not cause harmful interference.
2. This device must accept any interference that may be received, including interference that may cause undesired operation.

Changes or modifications not expressly approved by Johnson Outdoors Marine Electronics, Inc. could void the user's authority to operate this equipment.

NOTE: This equipment has been tested and found to comply with the limits for a Class B digital device, pursuant to part 15 of the FCC Rules. These limits are designed to provide reasonable protection against harmful interference in a residential installation. This equipment generates, uses and can radiate radio frequency energy and, if not installed and used in accordance with the instructions, may cause harmful interference to radio communications. However, there is no guarantee that interference will not occur in a particular installation. **If this equipment does cause harmful interference to radio or television reception, which can be determined by turning the equipment off and on, the user is encouraged to try to correct the interference by one or more of the following measures:**

- Reorient or relocate the receiving antenna.
- Increase the separation between the equipment and receiver.
- Connect the equipment into an outlet on a circuit different from that to which the receiver is connected.
- Consult the dealer or an experienced radio/TV technician for help.

INDUSTRY CANADA COMPLIANCE

This product meets the applicable Industry Canada technical specifications. Operation is subject to the following two conditions: (1) this device may not cause interference, and (2) this device must accept any interference, including interference that may cause undesired operation of the device.

Changes or modifications not expressly approved by Johnson Outdoors Marine Electronics, Inc. could void the user's authority to operate this equipment.

ENVIRONMENTAL RATINGS

Ambient operating temperature range: -10C to 50C

Ambient operating humidity range: 5% to 95%

Maximum operating altitude: 10,000 feet

PARTS DIAGRAM & PARTS LIST

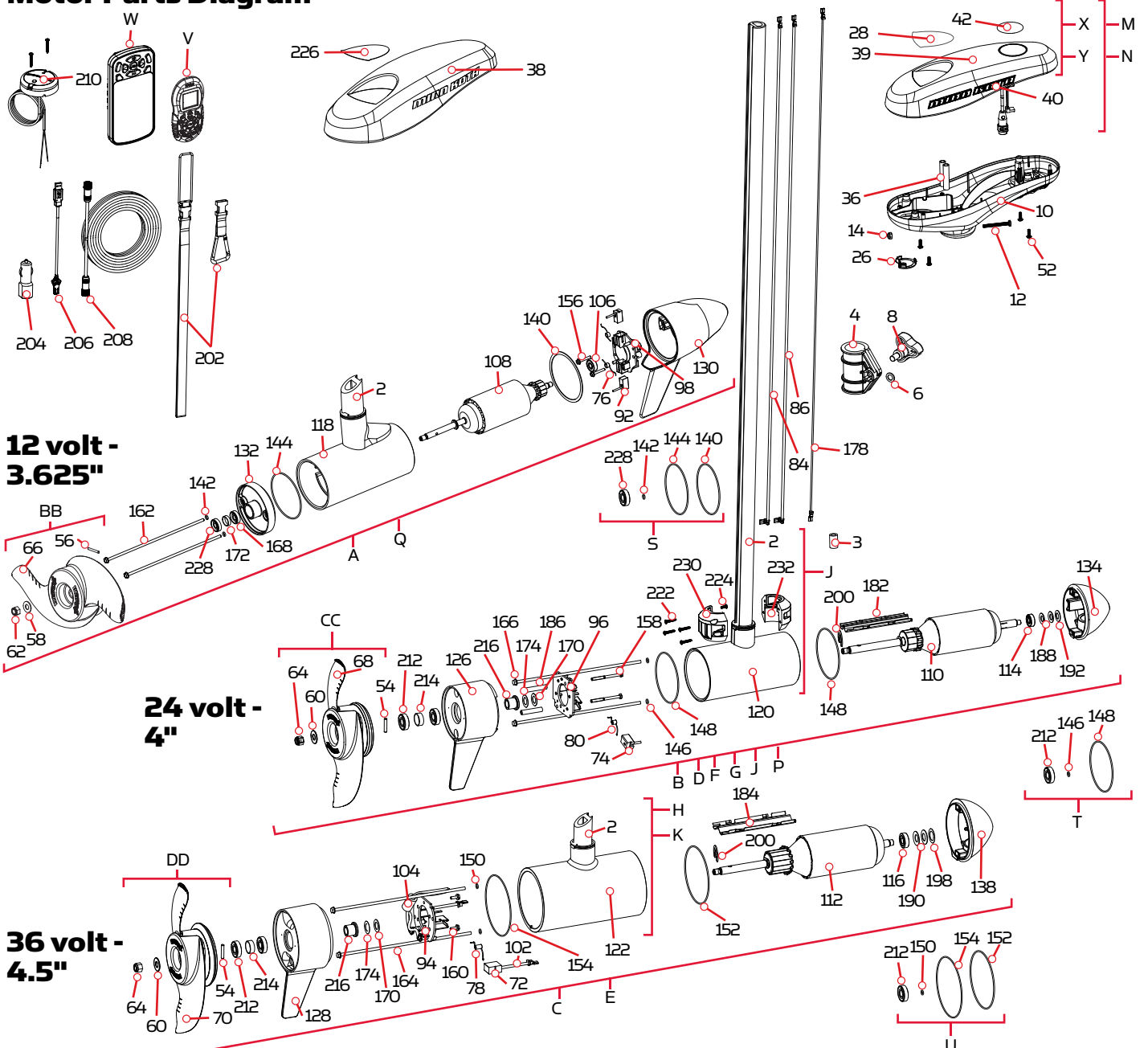
RIPTIDE TERROVA

55/80/112 LBS THRUST - 12/24/36 VOLT - 54"/60"/72" SHAFT

The parts diagram and parts list provides Minn Kota® WEEE compliance disassembly instructions. For more information about where you should dispose of your waste equipment for recycling and recovery and/or your European Union member state requirements, please contact your dealer or distributor from which your product was purchased. Tools required, but not limited to: flat head screwdriver, Phillips screwdriver, socket set, pliers, wire cutters.

RIPTIDE TERROVA MOTOR

Motor Parts Diagram



PARTS DIAGRAM & PARTS LIST

Motor Parts List

Assembly	Part #	Description	Quantity
A	2779034	MTR/TUBE ASM 55# 54" RT TRV BT *MOTOR & TUBE* *54* *3.625*	1
B	2777034	MTR/TUBE ASM 80# 54" TRV BT *MOTOR & TUBE* *54* *4*	1
C	2777083	MTR/TUBE 112# 60" RT TRV BT *MOTOR & TUBE* *60* *4.5*	1
D	2777036	MTR/TUBE ASM 80# 60" RT TRV BT *MOTOR & TUBE* *60* *4*	1
E	2777084	MTR/TUBE 112# 72" RT TRV BT *MOTOR & TUBE* *72* *4.5*	1
F	2777035	MTR/TUBE ASM 80# 54" TRV-M BT *MOTOR & TUBE* *54* *4* *EUROPE ONLY*	1
G	2777037	MTR/TUBE 80# 60" RT TRV-M BT *MOTOR & TUBE* *60* *4* *EUROPE ONLY*	1
P	2777042	MTR/TUBE ASM 80# 72" *MOTOR & TUBE* *72* *4* *EUROPE ONLY*	1
Q	2779036	MTR/TUBE ASM 55# 60" *MOTOR & TUBE* *60* *3.625* *EUROPE ONLY*	1
H	2777343	CTR HSG,CB,112#,SW, UP TO 60" *TUBE* *4.5*	1
J	2777398	CTR HSG,CB,80#,SW, UP TO 60" *TUBE* *4*	1
K	2777344	CTR HSG,CB,112#,SW, 72" TUBE *TUBE* *4.5*	1
M	2774051 ♦	MOTOR KIT, iPLT 1.6 RT TERROVA *I-PILOT RECEIVER*	1
N	2774068 ♦	MOTOR KIT, iPLT 3.0 RT TERROVA *I-PILOT LINK RECEIVER*	1
BB	1378131	PROP IND 2091160 WDL5 WDG II *3.625* *55LB THRUST*	1
CC	1378160	PROP KIT 2341160 112# WW2 *4.5* *112LB THRUST*	1
DD	1378132	PROP IND 233160 WDL5 WDG II *4* *80LB THRUST*	1
S	2888460	SEAL & O-RING KIT *55LB THRUST* *3.625*	1
T	2889460	SEAL & O-RING KIT *80LB THRUST* *4*	1
U	2881450	SEAL & O-RING KIT *112LB THRUST* *4.5*	1
V	2994075 ♦	REMOTE ASSY, IPILOT 1.6	1
W	2994076 ♦	REMOTE ASSY, IPILOT LINK *LINK ONLY*	1
X	2770207 ♦	COVER KIT, iPLT 1.6 RT TERROVA *I-PILOT COVER & DECALS ONLY*	1
Y	2770212 ♦	COVER KIT, iPLT 3.0 RT TERROVA *I-PILOT LINK COVER & DECALS ONLY*	1
Item	Part #	Description	Quantity
2	✘	TUBE-COMP,WHT,72",1/4" WALL,T2	1
	✘	TUBE-COMP,WHT,54",1/4" WALL,T2	1
	✘	TUBE-COMP,WHT,60",1/4" WALL,T2	1
	✘	TUBE-COMP,WHT,54",1/4", "M",T2	1
	✘	TUBE-COMP,WHT,60",1/4", "M",T2	1
	✘	TUBE-COMP,WHT,72",1/4", "M",T2	1
3	2307312	BEAD-FERRITE *M SKU* *EUROPE ONLY*	1
▲	✘	SEAL,BUNG LOWER	1
▲	✘	SEAL,BUNG UPPER,FW	1
4	2321505	DEPTH COLLAR, LIFT ASSIST	1
6	2321702	WASHER-FLAT .375 NYLON	1

✘ This part is included in an assembly and cannot be ordered individually.

▲ Not shown on Parts Diagram.

♦ May only be available with i-Pilot or i-Pilot Link.

PARTS DIAGRAM & PARTS LIST

Item	Part #	Description	Quantity
▲	2256300	TIE WRAP-5.5" BLACK	2
8	2260906	KNOB-SOFT GRIP,HG/DR,SS	1
10	2292501	CONTROL BOX, SW ST	1
12	2332102	SCREW-#10-24 X 1-3/4 PPH SS	1
14	2333101	NUT-HEX #10-24 UNC-2B NYL SS	1
26	2224705	INSERT-PLUG, WHT, I PILOT*SMALL HOLE* *i-PILOT*	1
	2224703	INSERT-PLUG, PD/AP WHITE *NO HOLE*	1
28	✘	DECAL-GENERIC, PUSH BTN TOP SW	1
▲	9950433	TIE WRAP-4" BLACK	2
36	2305402	SHRINK TUBE-.374 OD X 2.25"	2
38	2290206	COVER,CTRL BOX, SW *AUTOPILOT*	1
39	2292501	CONTROL BOX, SW ST	1
40	2325613	DECAL,CTRL BOX SIDE BT SW	2
42	✘	DECAL, DOMED IPILOT SW	1
	✘	DECAL, DOMED, IPILOT LINK SW	
52	2372100	SCREW-#8-18 X 5/8 THD (SS)	7
54	2092600	PIN-DRIVE 1.06" LG (SS) *80LB THRUST* *4* *112LB THRUST* *4.5*	1
56	2262658	PIN-DRIVE 1" X 3/16" S/S *55LB THRUST* *3.625*	1
58	2151726	WASHER-5/16 STD (S/S) *55LB THRUST* *3.625*	1
60	2091701	WASHER-PROP (LARGE) *80LB THRUST* *4* *112LB THRUST* *4.5*	1
62	2198400	ANODES, ZINC, 3.25/3.62" LWR UNT *55LB THRUST* *3.625*	1
64	2198401	ANODES, ZINC, 4.0"LWR UNIT *80LB THRUST* *4* *112LB THRUST* *4.5*	1
66	2091160	PROP-WW2 (3-5/8") REAMED *55LB THRUST* *3.625*	1
68	2341160	PROP-WW2 (4.5) w/ADP.RING *112LB THRUST* *4.5*	1
70	2331160	PROP-WW2 (4") w/ADP.RING *80LB THRUST* *4*	1
72	188-095	BRUSH *4.5* *112LB THRUST*	2
74	188-094	BRUSH W/TERMINAL *4* *80LB THRUST*	2
76	975-040	SPRING - TORSION *3.625* *55LB THRUST*	2
78	975-045	SPRING - TORSION *4.5* *112 LB THRUST*	2
80	975-041	SPRING - TORSION *4* *80LB THRUST*	2
▲	✘	RIVET - .25" *4* *80LB THRUST* *4.5* *112LB THRUST*	6
84	640-126	LEADWIRE RED 10AWG 71" XLP	1
	640-145	LEADWIRE RED 10AWG 75 7/8" GPT	1
	640-151	LEADWIRE RED 10 AWG 70.375 GPT	1
	640-149	LEADWIRE RED 10AWG 88" GPT	1
	640-133	LEADWIRE RED 10AWG 66-1/4 XLP	1

✘ This part is included in an assembly and cannot be ordered individually.

▲ Not shown on Parts Diagram.

◆ May only be available with i-Pilot or i-Pilot Link.

PARTS DIAGRAM & PARTS LIST

Item	Part #	Description	Quantity
86	640-049	LEADWIRE BLK 10AWG 88.50" GPT	1
	640-023	LEADWIRE BLK 10 AWG 69" GPT	1
	640-045	LEADWIRE BLK 10 AWG 76.5 GPT	1
	640-025	LEADWIRE BLK 10 AWG 66 3/4 XLP	1
	640-022	LEADWIRE BLK 10 AWG 72.5 XLP	1
▲	✘	BRUSH HOLDER *4* *80LB THRUST*	2
▲	✘	BRUSH HOLDER *4.5* *112LB THRUST*	2
92	188-036	BRUSH ASSEMBLY *3.625* *55LB THRUST*	2
94	9-738-011	BRUSH PLATE *4.5* *112LB THRUST*	1
96	9-738-004	BRUSH PLATE 4" TERMINAL *4* *80LB THRUST*	1
98	738-036	BRUSH PLATE WITH HOLDER 3.625 *3.625* *55LB THURST*	1
▲	2260730	CONNECTOR 1/4 MALE TAB QD *4* *80LB THRUST*	2
102	2260731	TERMINAL 1/4" MALE TAB-THREE *4.5* *112LB THRUST*	2
104	2307312	BEAD-FERRITE *4.5* *112LB THRUST*	1
106	725-050	PAPER TUBE - BRUSH RETENTION *3.625* *55LB THRUST*	1
108	2-100-146	ARM ASY 12V 3.62 55#CB/LS *55LB THRUST* *3.625*	1
110	2-100-214	ARM ASSY 24V 4" 80# (WW2) *80LB THRUST* *4.0*	1
112	2-100-245	ARMATURE ASY 4.5"LWR UNIT *112LB THRUST* *4.5*	1
114	140-010	BEARING - BALL *55LB THRUST* *3.625* *80LB THRUST* *4.0*	1
116	140-014	BEARING-BALL 6000 *112LB THRUST* *4.5*	1
118	✘	CTR HSG ASY 3.6 SW/CB/W-MG *55LB THRUST* *3.625*	1
120	✘	CTR HSG ASM 4.0" SW CB MGNTZD *80LB THRUST* *4.0*	1
122	✘	CTR HSG ASY 4.5" MAG FW CB *112LB THRUST* *4.5*	1
126	2-300-370	BRUSH END HSG ASY SW/W 4.0 *80LB THRUST* *4.0*	1
128	2-300-156	BRUSH END HSG ASY 4.5" SW *112LB THRUST* *4.5*	1
130	421-350	HSG BRSH END 3.62 SW CB/WHITE *55LB THRUST* *3.625*	1
132	2-400-337A	PLAIN END HSG ASY 3.6 TX/W *55LB THRUST* *3.625*	1
134	421-376	HSG PLN END 4" SW WHT BS *80LB THRUST* *4.0*	1
138	421-241	PLAIN END HSG 4.5" PNTD SW *112LB THRUST* *4.5*	1
140	337-036	GASKET *55LB THRUST* *3.625*	1
142	701-008	O-RING *55LB THRUST* *3.625*	2
144	701-081	O-RING *55LB THRUST* *3.625*	1
146	701-009	O-RING *80LB THRUST* *4.0*	2
148	701-043	O-RING *80LB THRUST* *4.0*	2
150	701-009	O-RING *112LB THRUST* *4.5*	2
152	701-098	O-RING, 98MM X 2MM *112LB THRUST* *4.5*	1
154	701-103	O-RING,103MM X 3.00MM, 70 BUNA *112LB THRUST* *4.5*	1
156	830-007	SCREW, # 8-32 *55LB THRUST* *3.625*	2

✘ This part is included in an assembly and cannot be ordered individually.

▲ Not shown on Parts Diagram.

◆ May only be available with i-Pilot or i-Pilot Link.

PARTS DIAGRAM & PARTS LIST

Item	Part #	Description	Quantity
158	830-027	SCREW - SELF-THREAD 10-32X2.25 *80LB THRUST* *4.0*	2
160	2053410	SCREW-#8-32 X 1/2 TRI-LOBE HEX *112LB THRUST* *4.5*	2
162	830-008	THRU BOLT 10-32 x 9.205 *55LB THRUST* *3.625*	2
164	830-094	THRU BOLT 12-24 X10.31 *80LB THRUST* *4.0* *112LB THRUST* *4.5*	2
166	830-094	THRU BOLT 12-24 x 10.31 *80LB THRUST* *4.0*	2
168	990-067	WASHER - STEEL THRUST *55LB THRUST* *3.625*	1
170	990-051	WASHER - STEEL THRUST *80LB THRUST* *4.0* *112LB THRUST* *4.5*	1
172	990-070	WASHER - NYLATRON *55LB THRUST* *3.625*	1
174	990-052	WASHER - NYLATRON *80LB THRUST* *4.0* *112LB THRUST* *4.5*	1
182	582-013	CLIP, RETAINING SHORT *80LB THRUST* *4.0*	1
184	582-016	CLIP-RETAINING, SONAR *112LB THRUST* *4.5*	1
186	973-025	SPACER - BRUSHPLATE *80LB THRUST* *4.0*	2
188	992-010	WASHER - BELLEVILLE *80LB THRUST* *4.0*	2
190	992-011	WASHER - BELLEVILLE *112LB THRUST* *4.5*	2
192	990-045	SPACER - THRUST *80LB THRUST* *4.0*	1
198	990-011	WASHER-SHIM OD 1",ID.630"SS *112LB THRUST* *4.5*	1
200	788-040	RETAINING RING	1
202	2390800 ♦	LANYARD, REMOTE W/ CARABINER	1
204	2375901 ♦	ADAPTER, USB DC POWER *LINK ONLY*	1
206	2373241 ♦	CABLE, USB REMOTE CHARGER *LINK ONLY*	1
208	490389-1 ♦	CABLE, ETHERNET, 30' * LINK ONLY*	1
210	2996400	HEADING SENSOR ASSEMBLY	1
212	880-025	SEAL	2
214	725-095	PAPER TUBE, SEAL	1
216	144-017	BEARING, FLANGE	1
222	3393450	SCREW-#6-19 X.75 PPH HI-LOW SS	4
224	2372103	SCREW #6 X .375 PLASTITE SS	1
226	2325617	DECAL, COVER, RT, T2 80 *80LB THRUST* *COPILOT*	1
228	788-015	RETAINING RING *3.625*	1
230	2321521	COLLAR-FRONT, LIFT ASSIST, SW	1
232	2321526	COLLAR-BACK, LIFT ASSIST, SW	1

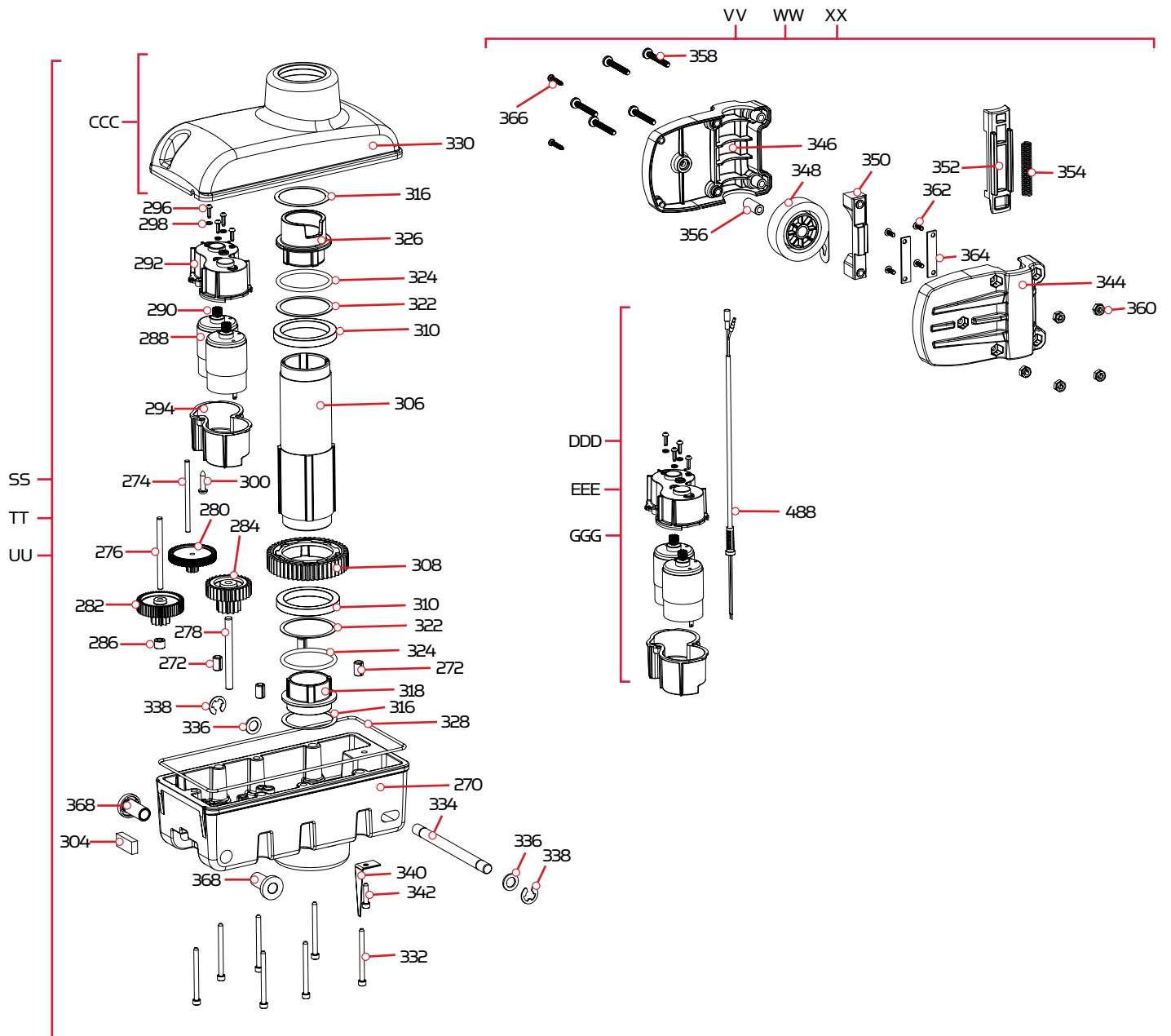
✘ This part is included in an assembly and cannot be ordered individually.

▲ Not shown on Parts Diagram.

♦ May only be available with i-Pilot or i-Pilot Link.

RIPTIDE TERROVA STEERING HOUSING

Steering Housing Parts Diagram



Steering Housing Parts List

Assembly	Part #	Description	Quantity
SS	2997064	STEERING HSG ASM 12V SW	1
TT	2997065	STEERING HSG ASM 24V SW	1
UU	2997063	STEERING HSG ASM 36V SW	1
VV	2992730	LIFT ASSIST, 55# SW	1
WW	2992731	LIFT ASSIST, 80# SW	1
XX	2992732	LIFT ASSIST, 112# SW	1
CCC	2776562	STEERING HSG TOP SW / GEAR KIT	1
DDD	2777060	STEERING MOTOR KIT, 12V T2	1
EEE	2777061	STEERING MOTOR KIT, 24V T2	1
GGG	2777063	STEERING MOTOR KIT, 36V SW T2 *DUAL MOTOR*	1
Item	Part #	Description	Quantity
270	2326507	STEERING HSG,BTTM,SW,WHT	1
272	✘	PIN-ROLL 5/16" X 1/2"	4
274	✘	SHAFT-GEAR, FIRST CLUSTER	1
276	✘	SHAFT-GEAR,INTERMED.CLUSTER	1
278	✘	SHAFT-GEAR, THIRD CLUSTER	1
280	2302245	GEAR & PINION,DR. HSG, STAGE 2	1
282	2302250	GEAR & PINION,DR. HSG, STAGE 3	1
284	2302255	GEAR & PINION,DR. HSG, STAGE 4	1
286	2321730	SPACER,GEAR CLUSTER	1
288	✘	MOTOR, STEERING 12V FW T2	1
	✘	MOTOR, STEERING 24V FW T2	1
	✘	MOTOR, STEERING 36V FW T2	2
290	2302240	PINION GEAR, DR.HSG, STAGE 1	1
292	2322520	CASE-MOTOR,STRG HSG, TOP *12 VOLT* *24 VOLT*	1
	2322521	CASE-MTR, STEER HSG, TOP w/HOLES *36 VOLT*	1
294	2322525	CASE-MOTOR,STRG HSG,BTM	1
296	2372103	SCREW-X6 X 3/75 PLASTITE SS	4
298	2051710	SPLIT LOCK WASHER 3MM	4
300	2043412	SCREW-#8-18 X 3/4 TY AB SS PPH	1
302	2320605	LEADWIRE,STEERING MOTOR	1
304	2308601	BREATHER FILTER, DR.HOUSING	1
306	2322031	TUBE-OUTPUT, SALTWATER	1
308	2322200	GEAR-OUTPUT	1
310	2327315	BUSHING,ALUMIN. SPACER ST	2
316	2321704	WASHER-THRUST, STEERING	2

✘ This part is included in an assembly and cannot be ordered individually.

▲ Not shown on Parts Diagram.

◆ May only be available with i-Pilot or i-Pilot Link.

PARTS DIAGRAM & PARTS LIST

Item	Part #	Description	Quantity
318	2321510	COLLAR-DRIVE,BOTTOM	1
322	2321720	SHIM,O-RING	2
324	2324608	O-RING,224, STR HSG	2
326	2321530	LINER OUTPUT TUBE, LIFT ASSIST	1
328	2324604	O-RING, CASE SEAL	1
330	✘	HOUSING-STEERING, TOP, SW	1
332	2323408	SCREW-#8-32 X 2.0 SHCS SS	7
334	2322601	PIN-LATCH, SS	1
336	2321702	WASHER-FLAT .375 NYLON	2
338	2263011	E-RING 3/8 DIA. SHAFT	2
340	2322702	SPRING, LATCH PIN SS	2
342	2323410	SCREW-#8-32 X .75 SHCS SS	1
344	2326546	HOUSING-RIGHT,LIFT ASSIST, SW	1
346	2326541	HOUSING-LEFT, LIFT ASSIST, SW	1
348	2997903	ASSEMBLY-HUB/SPRING, 55# INCNL	1
	2997904	ASSEMBLY-HUB/SPRING, 80# INCNL	1
	2997905	ASM-HUB/SPRING,112# INCN	1
350	2322300	GUIDE,DR.DOG, LIFT ASSIST	1
352	2328605	ENGAGEMENT DOG, LIFT ASST	1
354	2322725	SPRING,COMPRESSION,.360" OD SS	1
356	2322610	PIN-AXLE, LIFT ASSIST	1
358	2323430	SCREW-#10-24 X 1-3/8, PPH	5
360	2333101	NUT-HEX #10-24 UNC-2B NYL SS	5
362	2372103	SCREW-#6 X .375 PLASTITE SS	4
364	2321955	BRACKET, LIFT ASSIST	2
366	3393450	SCREW-#6-19 X .75 PPH HI-LO	2
368	2327310	BUSHING, PIVOT PIN	2
370	2327314	BUSHING, PRO STEERING SW	2
488	✘	LEADWIRE, STEERING MOTOR	1

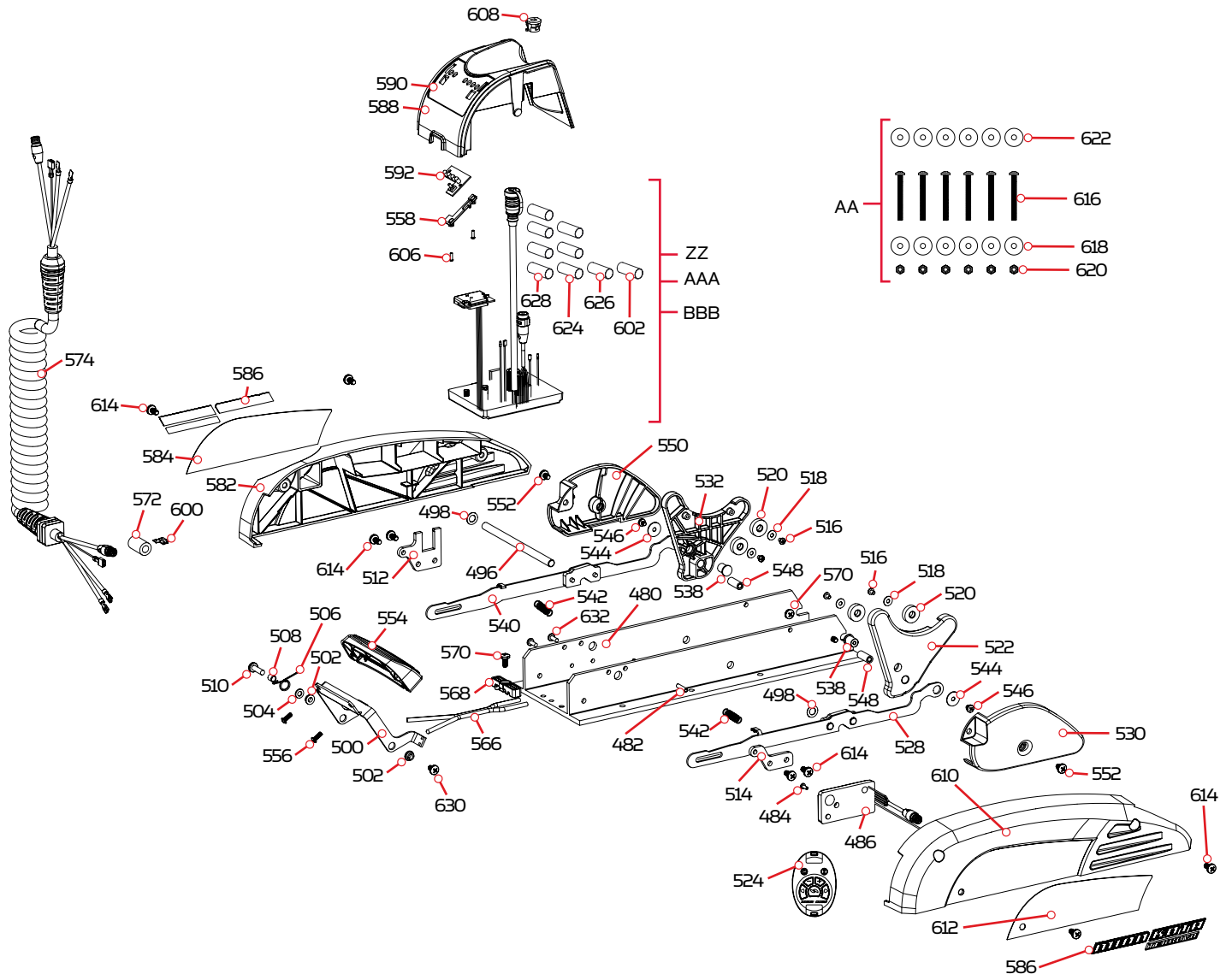
✘ This part is included in an assembly and cannot be ordered individually.

▲ Not shown on Parts Diagram.

◆ May only be available with i-Pilot or i-Pilot Link.

RIPTIDE TERROVA MOUNT

Mount Parts Diagram



PARTS DIAGRAM & PARTS LIST

Mount Parts List

Assembly	Part #	Description	Quantity
ZZ	2774066	CTRL BRD, 24/36V TRV BT w/SHRNK	1
AAA	2774067	CTRL BRD, 12V TRV BT w/SHRNK *i-PILOT/i-PILOT LINK*	1
BBB	2774069	CTRL, BRD, 24/36V IP TRV BT, SHRNK *i-PILOT/i-PILOT LINK*	1
AA	2994864	BAG ASSY-TERROVA/V2,MNTG HDW	1
Item	Part #	Description	Quantity
480	2321908	BASE-EXTRUSION, MACH, SW	1
482	2322912	PIN-ROLL .1875 X 1.000 SS	2
484	2332103	SCREW-#8-18 X 1/2 (SS) *COPILOT*	1
486	2374197	PCB ASY COPLT REC. TERROVA *COPILOT*	1
▲	2325501	DECAL, STOW / DEPLOY, T2	1
496	2322603	PIN-PIVOT, SS	1
498	2333100	NUT-SPEED (SS) 3HP-SS	2
500	2320406	HANDLE, RELEASE, SW	1
502	2322604	BUSHING,HANDLE,GOBEIL	2
504	2071716	WASHER-FLAT SS .253 x .470	1
506	2322701	SPRING, TORSION	1
508	2301700	SPACER-RELEASE LEVER-BRASS	1
510	2073408	SCREW-1/4-20 X 7/8 PPH S/S	1
512	2321941	BRACKET, STRAIN RELIEF SW	1
514	2321951	BRACKET, SIDEPLATE SW	1
516	2323412	SCREW-#8-18 X .25 PPH SS TY B	4
518	2321706	WASHER-FLAT #8 .50 OD/.188 SS	4
520	2325117	PAD, RUBBER REST, WHITE	4
522	2323910	RAMP-MOTOR, RIGHT 3-5/8"	1
	2323931	RAMP-MOTOR, RIGHT 4.5"	1
	2323930	RAMP-MOTOR, RIGHT 4"	1
524	2994095	TRANSMITTER ASY,TRRV CPLT *COPILOT*	1
528	2994201	ARM/SUPPORT BLOCK ASSY,R,SW	1
530	2321922	PLATE-SKID, RIGHT	1
532	2323915	RAMP-MOTOR, LEFT 3 5/8"	1
	2323935	RAMP-MOTOR, LEFT 4"	1
	2323936	RAMP-MOTOR, LEFT 4.5"	1
538	2324706	INSERT-MOTOR RAMP,METAL,SS	2
540	2994203	ARM/SUPPORT BLOCK ASSY,L,SW	1

✘ This part is included in an assembly and cannot be ordered individually.

▲ Not shown on Parts Diagram.

◆ May only be available with i-Pilot or i-Pilot Link.

PARTS DIAGRAM & PARTS LIST

Item	Part #	Description	Quantity
542	2322716	SPRING, EXTENSION, T2	2
544	2321700	WASHER #10 SS	2
546	2323422	SCREW-#10-24 X .25" PPH SS MCH	2
548	2322921	STAND-OFF, ALUM. ANODIZED	2
550	2321927	PLATE-SKID, LEFT	1
552	2323403	SCREW-1/4-20 X.375 MCH SS CRPH	3
554	2320218	COVER, HANDLE COSMETIC SW	1
556	2383446	SCREW-#8-16 X .50" PLASTITE SS	2
558	2320830	LOCKING TAB,PWR/BAT.METER	1
560	2383428	SCREW-#4-24 X 3/8 HI-LO SS	2
562	2320202	CAP-DUST,CONNECTOR, MALE	1
▲	2323406	SCREW-#10-24 X .50 CRPH SS	2
566	2090651	LEADWIRE,10 GA	1
568	2321310	STRAIN RELIEF	1
570	2323405	SCREW-1/4-20 X 1/2" MCH SS	3
572	2307312	BEAD-FERRITE	1
574	2991271	COIL CORD ASY 54"/60" NON-US2	1
582	2323926	SIDEPLATE-LEFT, RT/ST	1
584	2325646	DECAL,MTR REST,T2/ST LEFT	1
586	2205512	DECAL,SIDEPLATE,SW ULTERRA,T2	2
588	2326531	HOUSING-CENTER, RT/ST	1
590	2325653	DECAL,BM/CN/PWR STATUS SW	1
592	2074082	BATTERY METER, 36V, SW	1
	2074081	BATTERY METER, 24V, SW	1
	2074080	BATTERY METER, 12V, SW	1
▲	2321721	SHIM, 2 X 4 X .025"	1
600	2320710	TERMINAL-AMP (T-TAB)	1
602	2325401	SHRINK TUBE-3/4 ID X 2" W/ADHS	1
▲	2321315	HOLDER-CONNECTOR,NYLON,BLACK	1
606	2332103	SCREW-#6-20 X 3/8 THD*(SS)	2
608	2322901	STRAIN RELIEF, HEYCO P/N 1852	1
610	2323921	SIDEPLATE-RIGHT, RT/ST	1
612	2325645	DECAL,MOTOR REST,RIPTIDE,RIGHT	1
614	2323405	SCREW-1/4-20 X 1/2" T-L SS	8
616	2263462	SCREW-1/4-20 X 2" S/S PPH ADJT	6
618	2261713	WASHER-1/4 FLAT 18-8 SS	6
620	2263103	NUT-1/4-20 NYLOCK SS	6

✘ This part is included in an assembly and cannot be ordered individually.

▲ Not shown on Parts Diagram.

◆ May only be available with i-Pilot or i-Pilot Link.

PARTS DIAGRAM & PARTS LIST

Item	Part #	Description	Quantity
622	2301720	WASHER-MOUNTING - RUBBER	6
624	2305410	SHRINK TUBE-.315 OD X 2.25" *SALTWATER*	3
626	2305415	SHRINK TUBE-.472 ID X 2.25" *SALTWATER*	1
628	2305403	SHRINK TUBE-.500 IDX1.0" ADHSV *SALTWATER*	4
630	2332104	SCREW-1/4-20 X 5/8 S/S	1
632	2323402	SCREW-1/4-20 X .375 T-L, ZP	2

✘ This part is included in an assembly and cannot be ordered individually.

▲ Not shown on Parts Diagram.

◆ May only be available with i-Pilot or i-Pilot Link.

NOTES

RECOMMENDED ACCESSORIES

ON-BOARD & PORTABLE BATTERY CHARGERS

Stop buying new batteries and start taking care of the ones you've got. Many chargers can actually damage your battery over time – creating shorter run times and shorter overall life. Digitally controlled Minn Kota chargers are designed to provide the fastest charge that protect and extend battery life.



MK212PC



MK210D



MK110P

TALON SHALLOW WATER ANCHOR

Talon deploys faster, holds stronger and runs quieter than any other shallow water anchor. Available in depths up to 12' and bold color options including camo, it boasts an arsenal of features and innovations that no other anchor can touch:



- Vertical, Multi-Stage Deployment
- User-Selectable Anchoring Modes
- 2x Anchoring Force
- Fast Deploy
- Auto Up/Down
- Triple Debris Shields
- Built-In Wave Absorption
- Noise Dissipation
- Versatile Adjustments

MINN KOTA ACCESSORIES

We offer a wide variety of trolling motor accessories, including:



- 60-Amp Circuit Breaker
- Mounting Brackets
- Stabilizer Kits
- Extension Handles
- Battery Connectors
- Battery Boxes
- Quick Connect Plugs

For a complete listing of Minn Kota accessories, visit minnkotamotors.com

Follow us:    



minnkotamotors.com

Minn Kota Consumer & Technical Service
Johnson Outdoors Marine Electronics, Inc.
PO Box 8129
Mankato, MN 56001

121 Power Drive
Mankato, MN 56001
Phone (800) 227-6433
Fax (800) 527-4464



©2016 Johnson Outdoors Marine Electronics, Inc.
All rights reserved.



MINN-KOTA

RIPTIDE TERROVA

MOTEUR DE PÊCHE À LA TRAÎNE

MONTÉ SUR L'ÉTRAVE

MANUEL DU PROPRIÉTAIRE

PRÉSENTATION

MERCI

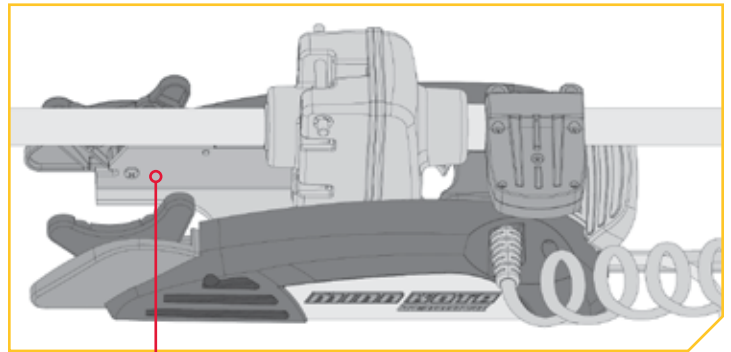
Nous vous remercions d'avoir choisi Minn Kota. Nous sommes persuadés que vous devriez consacrer plus de temps à pêcher et moins de temps à amarrer votre embarcation. C'est pourquoi nous construisons les propulseurs électriques les plus intelligents, les plus solides et les plus faciles à utiliser. Chaque aspect d'un propulseur électrique Minn Kota est réfléchi et étudié jusqu'à ce qu'il soit digne de porter notre nom. Nous avons investi des heures incalculables de recherche et d'essais pour vous offrir les avantages caractéristiques de Minn Kota, qui vous mène vraiment n'importe où, et n'importe quand. Notre principe est simple, nous faisons les choses selon les règles. Nous sommes Minn Kota. Et nous ne cesserons jamais de vous aider à pêcher plus de poissons.

ENREGISTREMENT

N'oubliez pas de conserver votre reçu et d'enregistrer immédiatement votre propulseur électrique. Une fiche d'enregistrement est fournie avec votre moteur; vous pouvez également effectuer l'enregistrement sur notre site Web à minnkotamotors.com.

NUMÉRO DE SÉRIE

Le numéro de série à 11 caractères Minn Kota est très important. Cela permet de déterminer le modèle spécifique et l'année de fabrication. Lorsque vous contactez le Service à la clientèle ou que vous enregistrez votre article, vous aurez besoin du numéro de série de votre article. Nous vous suggérons de noter le numéro de série afin qu'il soit disponible à des fins de référence future.



REMARQUE: Le numéro de série de votre Riptide Terrova se trouve à l'intérieur du support de montage, sous le point d'appui du moteur.

INFORMATION SUR LE MOTEUR (À DES FINS DE RÉFÉRENCE PAR LE CLIENT SEULEMENT)

Modèle: _____

Numéro de Série: _____

Date de l'achat: _____

Magasin où l'achat a été effectué: _____

REMARQUE: Ne retournez pas votre moteur Minn Kota au détaillant. Le détaillant n'est pas autorisé à réparer ou à remplacer cet appareil. Pour le service : communiquer avec Minn Kota au (800) 227-6433; retourner le moteur au Centre de service de l'usine de Minn Kota; envoyer ou apporter le moteur à un centre de service agréé de Minn Kota. Une liste de centres de service agréés est disponible sur notre site Web, à minnkotamotors.com. Pour obtenir un service au titre de la garantie, y compris toutes les options susmentionnées, veuillez inclure la preuve d'achat, le numéro de série et la date de l'achat.

TABLE DES MATIÈRES

TABLE OF CONTENTS

FACTEURS DE SÉCURITÉ	56
GARANTIE	57
CONNAISSEZ VOTRE BATEAU	58
CARACTÉRISTIQUES	59
INSTALLATION	60
Installation du Riptide Terrova	61
Acheminement du Câble Pour l'i-Pilot Link.....	65
INSTALLATION DES BATTERIES ET DU CÂBLAGE	67
Grément de l'Embarcation et Installation du Produit.....	67
Tableau des Dimensions de Gabarit des Conducteurs et Disjoncteurs	67
Sélectionner une Batterie Adéquante.....	68
Autres Points à Considérer.....	68
Comment Raccorder la Batterie.....	69
Connexion des Batteries en Série	70
SCHÉMA DE CÂBLAGE DU MOTEUR	72
UTILISATION ET RÉGLAGE DU MOTEUR	74
Caractéristiques du Support.....	74
Arrimage et Déploiement du Moteur	75
Indicateur d'État de Batterie « Appuyer Pour Tester »	76
Réglage de la Profondeur du Moteur.....	77
Ajustement de l'Unité Inférieure pour un Arrimage Sûr.....	78
Installation d'un Transducteur Externe.....	79
COPILOT	80
Commande Du Moteur Avec Copilot	80
Utilisation Générale de CoPilot	81
Modes Audio	82
Ajout/Retrait de Télécommandes	83
Remplacement de la Pile	84
SERVICE ET ENTRETIEN	86
Remplacement de l'Hélice	86
Entretien Général.....	87
Dépannage.....	87
Dépannage du Copilot	88
DÉCLARATIONS DE CONFORMITÉ	89
SCHÉMA DES PIÈCES ET LISTE DES PIÈCES	91
REMARQUES	103

FACTEURS DE SÉCURITÉ

Veillez lire attentivement le manuel de l'utilisateur. Suivez toutes les instructions, et respectez toutes les consignes de sécurité et mises en garde. L'utilisation de ce moteur n'est autorisée que pour les personnes qui ont lu et compris ces consignes pour l'utilisateur. Les personnes mineures peuvent utiliser ce moteur uniquement sous la supervision d'un adulte.



AVERTISSEMENT

Vous seul êtes responsable de la navigation sécuritaire et prudente sur votre bateau. Nous avons conçu votre Minn Kota pour qu'il soit un outil précis et fiable qui vous permettra d'améliorer l'utilisation de votre bateau et d'accroître votre capacité de pêcher des poissons. Ce produit ne vous exonère pas de la responsabilité de naviguer en toute sécurité avec votre bateau. Vous devez éviter les dangers liés à la navigation et toujours exercer une veille permanente afin de pouvoir réagir au fur et à mesure que les situations se présentent. Vous devez toujours être prêt à reprendre le contrôle manuel de votre bateau. Apprenez à utiliser votre Minn Kota dans une zone exempte de dangers et d'obstacles.



AVERTISSEMENT

Ne faites jamais fonctionner le moteur hors de l'eau, puisque cela entraînerait des blessures causées par l'hélice en rotation. Le moteur doit être débranché de la source d'alimentation lorsqu'il n'est pas utilisé ou lorsqu'il est hors de l'eau. Au moment de brancher les câbles d'alimentation du moteur à la batterie, veiller à ce qu'ils ne soient pas entortillés ou exposés au frottement, puis les placer de telle manière que personne ne risque de trébucher. Avant d'utiliser le moteur, s'assurer que l'isolant des câbles d'alimentation n'est pas endommagé. Ne pas tenir compte de ces mesures de sécurité peut entraîner des courts-circuits avec les batteries et/ou le moteur. Toujours débrancher le moteur des batteries avant le nettoyage ou la vérification de l'hélice. Éviter de submerger complètement le moteur, car l'eau pourrait pénétrer dans l'appareil inférieur par la tête de contrôle et l'arbre. Si le moteur est utilisé alors que de l'eau est présente dans l'appareil inférieur, ce dernier pourrait subir des dommages considérables. Ces dommages ne seront pas couverts par la garantie.



AVERTISSEMENT

Veillez à ce que ni vous, ni les autres personnes ne s'approchent trop près de l'hélice en rotation, que ce soit seulement avec une partie du corps ou des objets. Le moteur est puissant et pourrait provoquer des situations périlleuses ou des blessures, pour vous ou les autres. Lorsque le moteur est en marche, se méfier des objets flottants ou des personnes qui pourraient être en train de nager. Les personnes, dont les réactions ou la capacité à faire fonctionner le moteur est/sont affaiblie (s) par l'alcool, la drogue, les médicaments ou d'autres substances, ne sont pas autorisées à utiliser ce moteur. Ce moteur n'est pas adapté à l'utilisation dans de forts courants. Le niveau de pression sonore constant du moteur au moment de l'utilisation est inférieur à 70 dB (A). Le niveau de vibration général ne dépasse pas 2,5 m/s².



AVERTISSEMENT

Lorsque vous remontez ou abaissez le moteur, gardez vos doigts loin de toutes charnières et tous points de pivot ainsi que de toutes pièces mobiles. En cas d'opération imprévue, retirez les câbles d'alimentation à la batterie.



AVERTISSEMENT

Il est recommandé d'utiliser exclusivement les accessoires approuvés par Johnson Outdoors avec votre moteur Minn Kota. L'utilisation d'accessoires non approuvés, y compris pour monter ou contrôler votre moteur, pourrait causer des dommages, un fonctionnement inattendu du moteur et des blessures. Veillez à utiliser le produit ainsi que les accessoires approuvés, y compris les télécommandes, en toute sécurité et de la manière indiquée pour éviter les accidents ou un fonctionnement inattendu du moteur. Ne retirez pas les pièces installées en usine, y compris les couvercles, boîtiers et protections du moteur et des accessoires.

GARANTIE

GARANTIE DES PROPULSEURS ÉLECTRIQUES POUR EAU DOUCE

Johnson Outdoors Marine Electronics, Inc. (« JOME ») offre la garantie limitée suivante uniquement à l'acheteur au détail initial. La garantie n'est pas transférable.

Garantie Limitée de Deux ans de Minn Kota sur L'ensemble du Produit

JOME garantit uniquement à l'acheteur au détail initial que son nouveau propulseur électrique pour eau douce Minn Kota est exempt de défauts résultant d'un vice de fabrication et de main-d'œuvre pouvant survenir au cours des deux (2) ans suivant la date d'achat. JOME se réserve le droit de réparer ou de remplacer, au choix et gratuitement, toute pièce pouvant s'avérer défectueuse pendant la durée de la présente garantie. Cette réparation ou ce remplacement est l'unique et exclusive responsabilité de JOME et constitue le seul recours de l'acheteur pour tout manquement à la présente garantie

Garantie à vie Limitée de Minn Kota sur L'arbre Composite

JOME garantit uniquement à l'acheteur au détail initial que l'arbre composite de son propulseur électrique Minn Kota est exempt de défauts résultant d'un vice de fabrication et de main-d'œuvre pouvant survenir au cours de la durée de vie de l'acheteur initial. JOME fournira, gratuitement, un arbre composite neuf pour remplacer tout arbre composite pouvant s'avérer défectueux pendant la durée de la présente garantie. Fournir un arbre composite neuf sera la seule et exclusive responsabilité de JOME et le seul et unique recours de l'acheteur pour tout manquement à la présente garantie; **et l'acheteur sera responsable de l'installation ou du coût de la main-d'œuvre pour l'installation de tout arbre composite neuf, fourni par JOME.**

Exclusions & Limitations

La présente garantie limitée ne s'applique pas aux produits qui ont été utilisés en eau salée, en eau saumâtre ou à des fins commerciales ou locatives. Cette garantie ne couvre pas l'usure normale, les imperfections qui n'affectent pas le fonctionnement du moteur, ni les dommages causés par les accidents, l'abus, l'altération, la modification, les dommages durant le transport, les désastres naturels, la négligence de l'utilisateur, l'utilisation abusive, un soin ou un entretien inadéquat. **LES DOMMAGES CAUSÉS PAR L'UTILISATION DE PIÈCES DE REMPLACEMENT NON CONFORMES AUX SPÉCIFICATIONS DE CONCEPTION DES PIÈCES ORIGINALES NE SONT PAS COUVERTS PAR LA PRÉSENTE GARANTIE LIMITÉE.** Le coût de l'entretien normal ou des pièces de rechange qui ne contreviennent pas à la garantie limitée incombe à l'acheteur. Avant utilisation, l'acheteur doit déterminer si le produit convient à l'emploi prévu et assume tous les risques et responsabilités connexes. Toute assistance fournie par JOME à l'acheteur ou au nom de ce dernier hors du cadre des modalités, des restrictions et des exclusions de la présente garantie limitée ne constitue pas une renonciation à l'égard de telles modalités, restrictions ou exclusions, et une telle assistance n'aura pas pour effet de prolonger ni de restaurer la garantie. JOME ne remboursera aucune dépense encourue par l'acheteur dans le cadre de la réparation, de la correction ou du remplacement de pièces ou de produits défectueux, à l'exception des dépenses engagées sur consentement écrit préalable de JOME. **LA RESPONSABILITÉ GLOBALE DE JOME À L'ÉGARD DES PRODUITS COUVERTS PAR LA GARANTIE EST LIMITÉE À UN MONTANT ÉQUIVALENT AU PRIX D'ACHAT PAYÉ POUR LE PRODUIT EN QUESTION.**

Information sur le Service Minn Kota

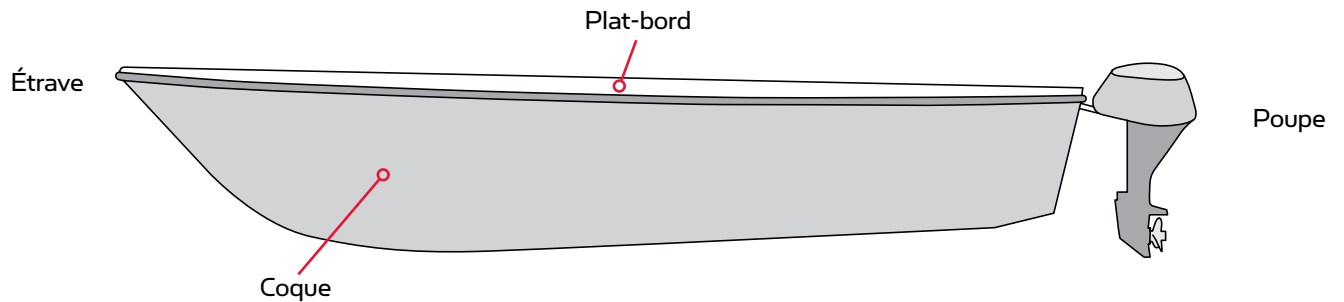
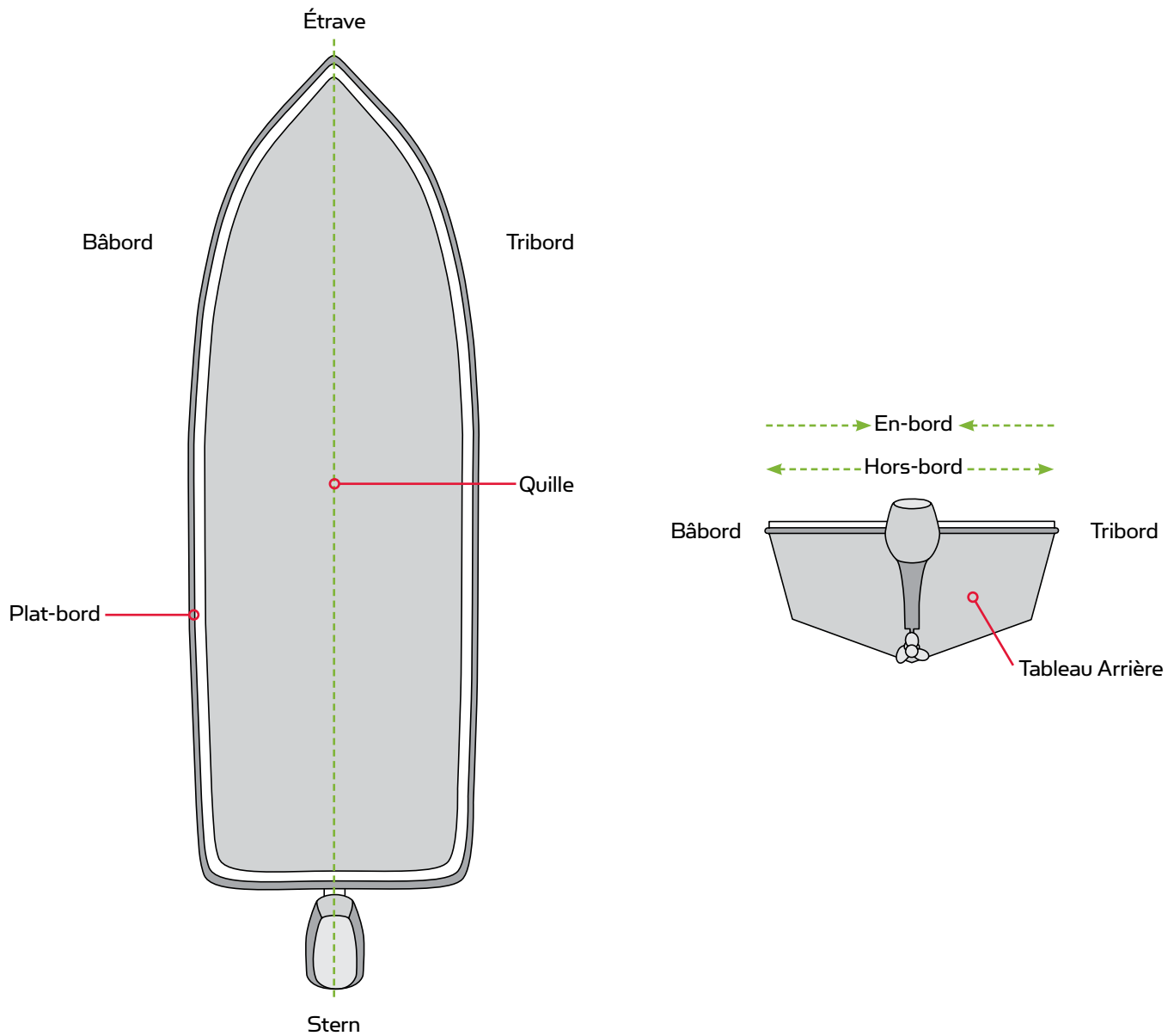
Pour obtenir le service au titre de la garantie aux États-Unis, le produit jugé défectueux et la preuve d'achat originale (comportant la date d'achat), doivent être présentés à un centre de service agréé Minn Kota ou au centre de service de l'usine de Minn Kota à Mankato, au Minnesota. Tous les frais encourus pour des appels de service, de transport ou d'expédition à destination ou à partir du centre de service agréé ou de l'usine Minn Kota, de main-d'œuvre pour transporter, retirer, réinstaller ou regréer les articles retirés pour le service de garantie, ou tout autre élément similaire, sont sous la seule et unique responsabilité unique et exclusive de l'acheteur. Les articles achetés à l'extérieur des États-Unis doivent être retournés, port payé avec la preuve d'achat (y compris la date d'achat et le numéro de série), à tout centre de service agréé Minn Kota dans le pays de l'achat. Le service au titre de la garantie peut être obtenu en communiquant avec le centre de service agréé de Minn Kota ou l'usine au +1 (800) 227-6433 ou par courriel à l'adresse suivante service@minnkotamotors.com. **Les produits réparés ou remplacés seront garantis pour la durée restante de la période de garantie initiale [ou pendant 90 jours à compter de la date de réparation ou de remplacement, la période la plus longue étant retenue]. Tout produit retourné aux fins de services en vertu de la garantie qui, selon JOME, n'est pas couvert par la garantie limitée ou n'y contrevient pas sera facturé pour les services rendus au taux horaire de main-d'œuvre affiché en vigueur, pour une facturation minimale d'une heure.**

REMARQUE: Ne pas retourner l'article Minn Kota au détaillant. Le détaillant n'est pas autorisé à le réparer ou à le remplacer.

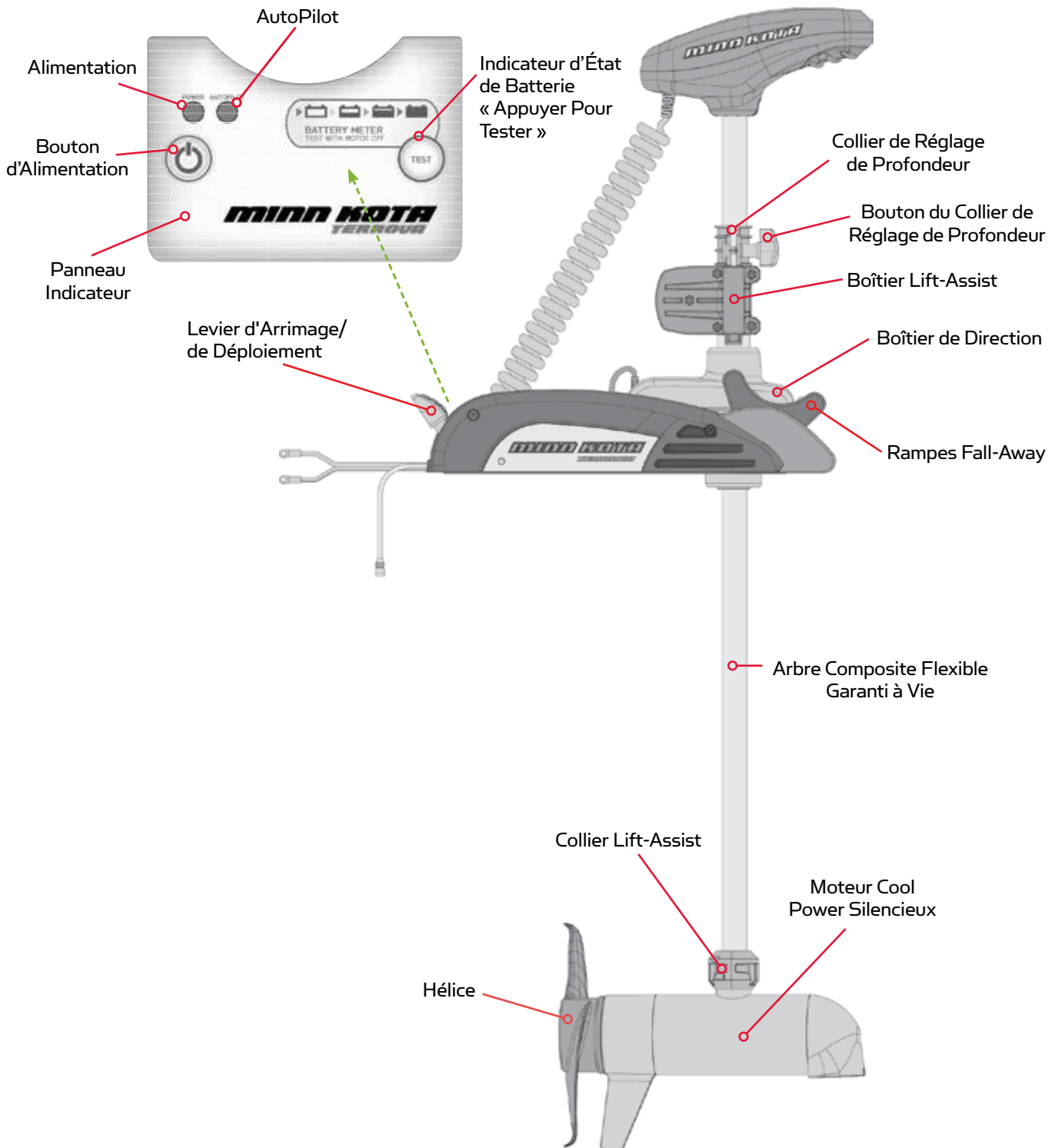
REMARQUE: II N'Y A AUCUNE GARANTIE EXPRESSE AUTRE QUE LES PRÉSENTES GARANTIES LIMITÉES. AUCUNE GARANTIE IMPLICITE, Y COMPRIS QUELQUE GARANTIE IMPLICITE DE QUALITÉ MARCHANDE OU D'ADÉQUATION À UN USAGE PARTICULIER, NE SE PROLONGERA AU-DELÀ DE LA DURÉE DE LA PRÉSENTE GARANTIE LIMITÉE EXPRESSE. JOME NE POURRA EN AUCUNE FAÇON ÊTRE TENUE RESPONSABLE DES DOMMAGES PUNITIFS, INDIRECTS, ACCESSOIRES, CONSÉCUTIFS OU PARTICULIERS. Sans limiter la portée de ce qui précède, JOME décline toute responsabilité en cas de perte d'utilisation du produit, perte de temps, d'inconvénient et d'autre dommage.

Certains états ne permettent pas de limites sur la durée d'une garantie implicite ou l'exclusion ou limitation des dommages accessoires ou indirects, donc, les limitations ou exclusions ci-dessus peuvent ne pas s'appliquer à vous. La présente garantie vous donne des droits légaux spécifiques et vous pouvez également bénéficier d'autres droits qui varient d'un État à l'autre.

CONNAISSEZ VOTRE BATEAU



CARACTÉRISTIQUES



REMARQUE: Les spécifications peuvent faire l'objet de modifications sans préavis. Le schéma est fourni aux fins de référence seulement et peut différer de votre moteur actuel.

INSTALLATION

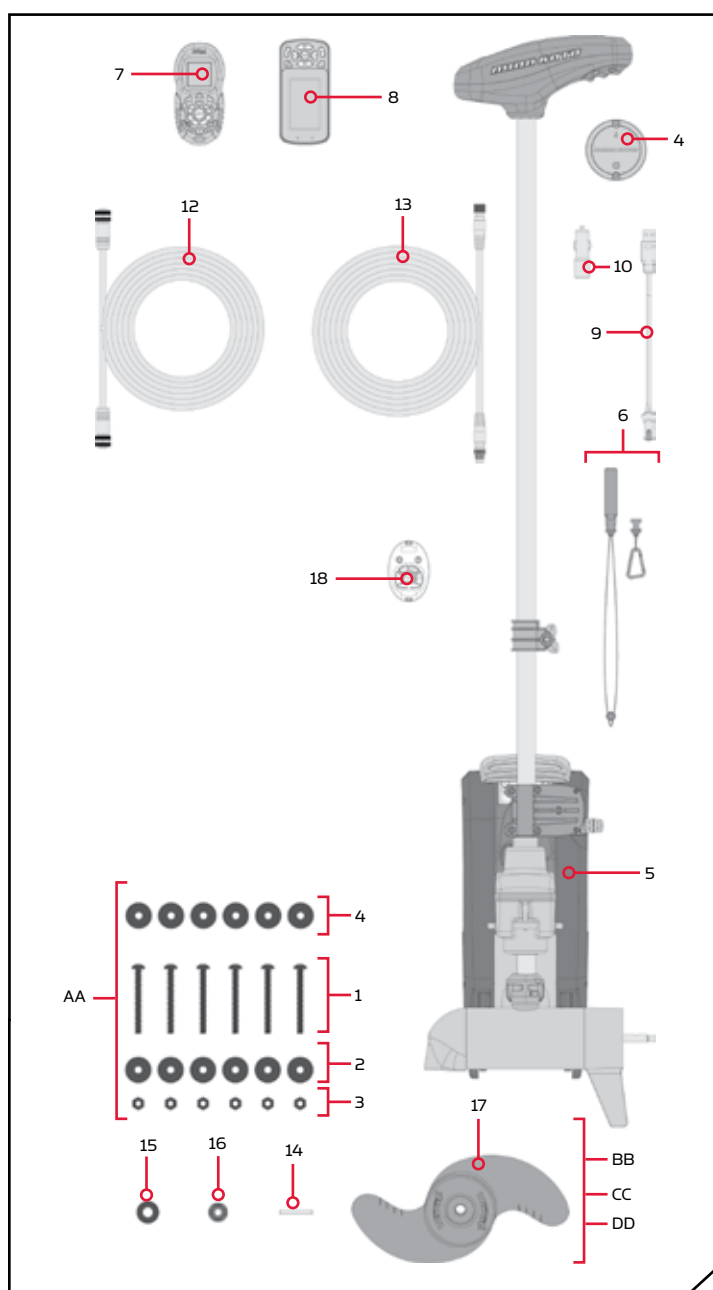
INSTALLATION DU RIPTIDE TERROVA

Votre nouveau Riptide Terrova est offert avec tout ce dont vous aurez besoin pour le montage direct au bateau. Ce moteur peut être monté directement sur le bateau ou couplé avec un support à dégagement rapide Minn Kota pour un montage et un démontage simples. Pour l'installation avec un support à dégagement rapide, vous reporter aux directives d'installation fournies avec le support. Pour obtenir des supports de montage à dégagement rapide compatibles ou pour trouver votre concessionnaire le plus près, visitez minnkotamotors.com. Pour installer le moteur directement sur le bateau, veuillez suivre les directives fournies avec ce manuel. Avant de commencer, veuillez examiner la liste des pièces et des outils nécessaires à l'installation. Pour davantage de soutien pour les produits, veuillez visiter minnkotamotors.com.

LISTE DE PIÈCES D'INSTALLATION

Article/Assemblage	Nº de Pièce	Description	Qté.
AA	2994864	BAG ASSEMBLY - (BOLT, NUT, WASHERS)	1
1	2263462	BOLT-MOUNTING-1/4X2 W/STG	6
2	2261713	WASHER-1/4	6
3	2263103	NUT NYLOK 1/4-20 MTG	6
4	2301720	WASHER-MOUNTING RUBBER	6
5	*	MOTOR ASSEMBLY	1
6	2390800 ♦	LANYARD, REMOTE W/ CARABEENER	1
7	2994075 ♦	REMOTE ASY, IPILOT	1
▲	2397101 ♦	MANUAL, QUICK REF., IPILOT 1.6	1
8	2994076 ♦	REMOTE ASSEMBLY LINK TOUCHSCREEN	1
9	2373241 ♦	CABLE, USB REMOTE CHARGER LINK	1
10	2375901 ♦	ADAPTER, USB DC POWER LINK	1
11	2996400 ♦	HEADING SENSOR ASSEMBLY	1
12	490389-1 ♦	CABLE, ETH (M12-M-M12-F, 30')	1
13	2211415	CABLE-EXTENSION, PD/AP 110"	1
14	2092600	PIN-DRIVE 1.06" LG (SS)	1
	2262658	PIN-DRIVE 1" X 3/16" S/S	1
15	2151726	WASHER-5/16 STD (S/S)	1
	2091701	WASHER-PROP (LARGE)	1
16	2198400	ANODES, ZINC, 3.25/3.62" LWR UNT	1
	2091160	PROP-WW2 (3-5/8") REAMED	1
	2341160	PROP-WW2 (4.5) W/ADP.RING	1
17	2331160	PROP-WW2 (4") W/ADP.RING	1
	1378131	PROP IND 2091160 WDLS WDG II	1
	1378160	PROP KIT 2341160 112# WW2	1
DD	1378132	PROP IND 2331160 WDLS WDG II	1
18	2994095 ●	TRANSMITTER ASY,TRRV CPLT	1
▲	2327132	INSTALLATION INSTRUCTIONS TERROVA	1
▲	2397103 ♦	MANUAL, QUICK REF., IPILOT LINK 3.0	1

- Uniquement disponible avec les modèles possédant un système CoPilot installé en usine.
- ▲ N'est pas montré sur le schéma des pièces.
- * Cette pièce est incluse dans un ensemble et ne peut pas être commandée individuellement.
- ♦ Uniquement disponible avec les modèles possédant un système i-Pilot ou i-Pilot Link installé en usine.



FACTEURS DE MONTAGE

Il est recommandé de monter le moteur aussi près que possible de l'axe du bateau. Vérifiez que la zone sous l'emplacement pour percer des trous et installer des rondelles et des écrous est dégagée. Assurez-vous que le support du moteur est positionné assez loin du bord du bateau. Le moteur ne doit rencontrer aucune obstruction lorsqu'il est dans l'eau ou relevé. Envisagez l'installation d'un support à dégagement rapide ou un adaptateur. Pour la liste complète des accessoires, veuillez visiter minnkotamotors.com.



Découvrez les accessoires disponibles pour votre moteur de pêche à la traîne sur minnkotamotors.com.

OUTILS ET RESSOURCES NÉCESSAIRES

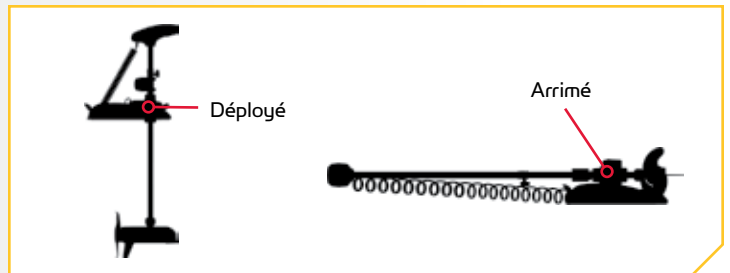
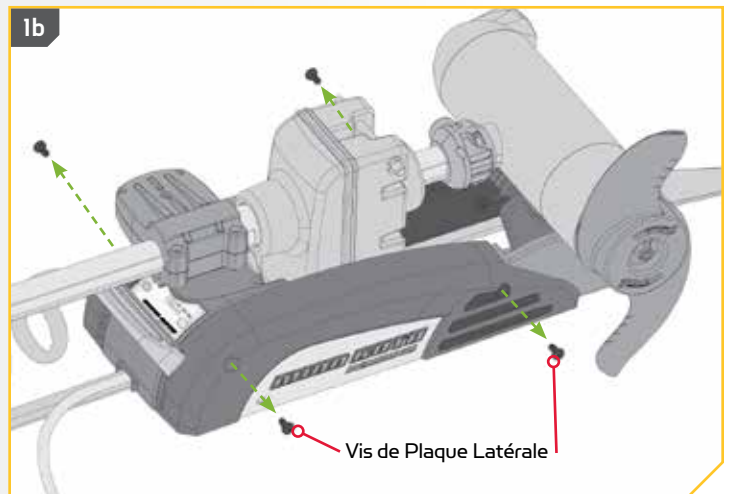
- Tournevis cruciforme n° 3
- Clé polygonale de 7/16 po (11,1 mm)
- Perceuse
- Une deuxième personne pour vous aider avec l'installation
- Mèche de 9/32 po (7,1 mm)

INSTALLATION

Installation du Riptide Terrova

1.
 - a. Placez le support sur une surface élevée, de niveau, comme un établi ou le hayon d'une camionnette. Le moteur, lorsque retiré de la boîte, devrait être en position arrimée.
 - b. Placez le support sur une surface élevée, de niveau, comme un établi ou le hayon d'une camionnette. Le moteur, lorsque retiré de la boîte, devrait être en position arrimée.

REMARQUE: Ce moteur pèse environ 65lb (29,5 kg). Pour l'installation, nous recommandons de vous faire aider par une deuxième personne.

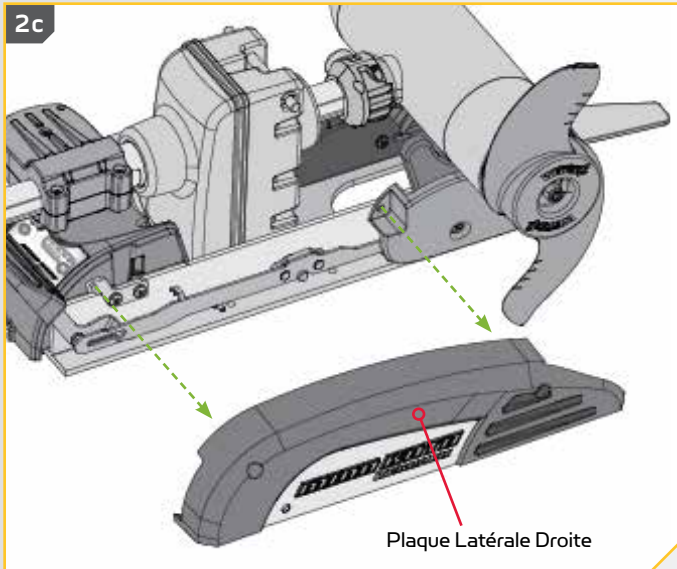


INSTALLATION DU RIPTIDE TERROVA

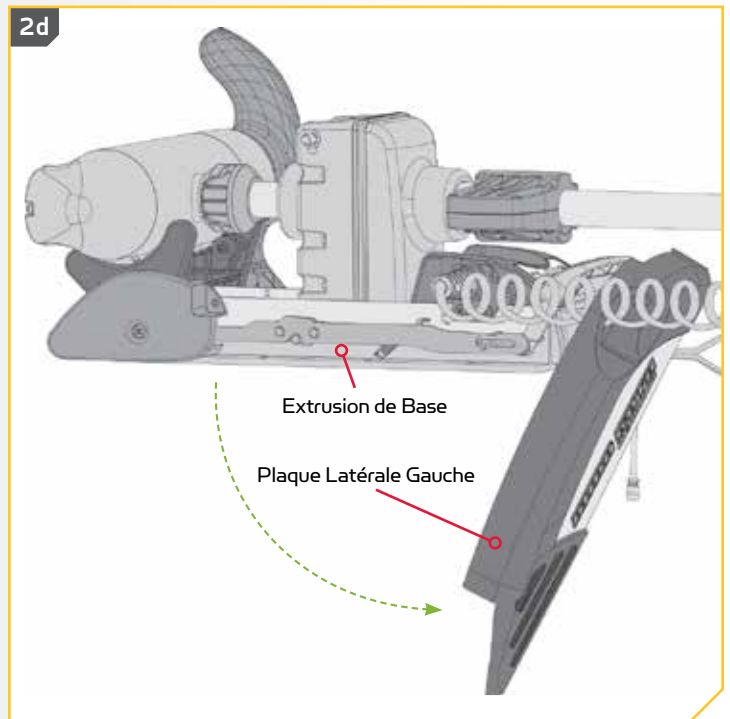
2

- c. Enlevez la plaque latérale droite.
- d. Faites pivoter la plaque latérale gauche en l'éloignant de l'extrusion de base.

2c



2d



3

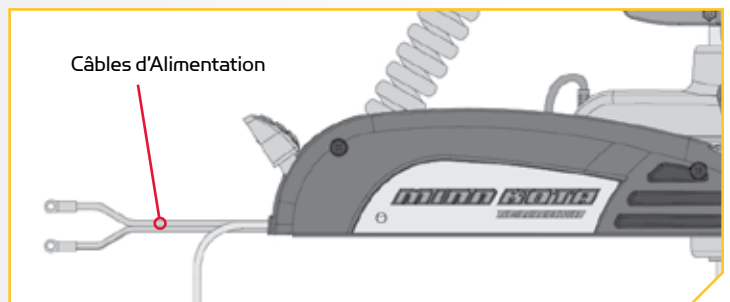
- e. Assurez-vous que les câbles d'alimentation de la batterie sont déconnectés, ou que le disjoncteur, le cas échéant, est en position "arrêt".



AVERTISSEMENT

Assurez-vous que le moteur est installé sur une surface plane et n'est pas branché à une source d'alimentation.

Câbles d'Alimentation

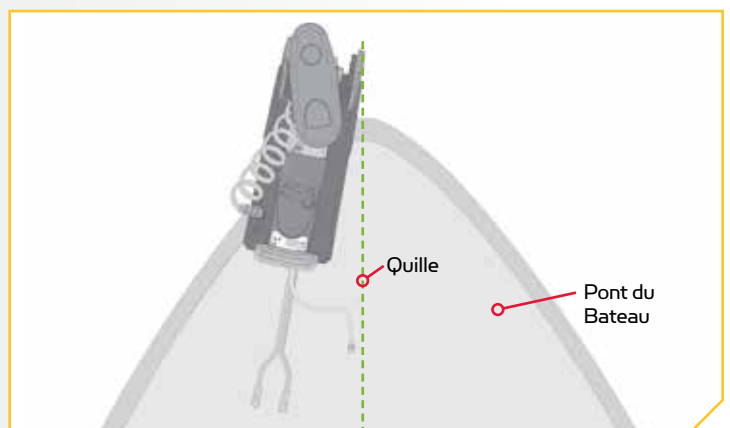


4

- f. Placez le support aussi près que possible de la quille ou de l'axe du bateau. Le moteur peut être installé soit sur le côté bâbord ou tribord du bateau, selon la préférence personnelle. Vérifiez l'emplacement avec le moteur dans la position arrimée et déployée. Relisez les facteurs de montage juste avant l'installation.

Quille

Pont du Bateau

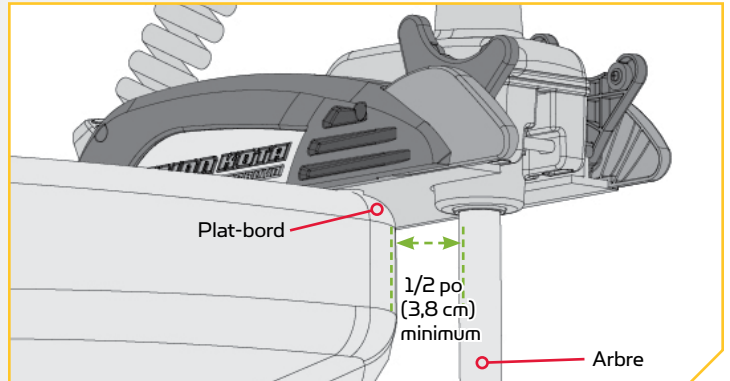


5

ARTICLE(S) REQUIS

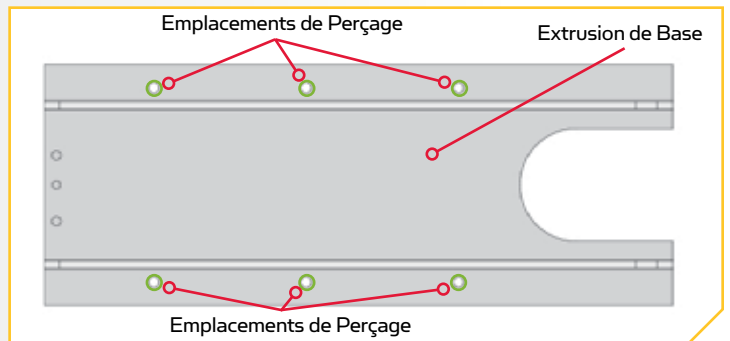
● #4 x 6

- g. Lorsque le moteur est en position déployée, veillez à ce que l'arbre dépasse le plat-bord du bateau de 1 1/2 po (3,8 cm). L'appareil inférieur lorsque arrimé et déployé ne doit pas rencontrer d'obstacles.
- h. Assurez-vous que le support est de niveau. Au besoin, utilisez les rondelles de caoutchouc (article n° 4) pour créer une surface au niveau.



6

- i. Il est recommandé de marquer au moins 4 des 6 trous dans l'extrusion de base et d'avoir au moins deux boulons de chaque côté qui sont le plus éloignés l'un de l'autre. Une installation idéale serait d'utiliser 6 boulons avec un minimum de 4.
- j. Percez le pont du bateau à l'aide d'une perceuse 9/32 po (7,1 mm) aux endroits marqués.



INSTALLATION DU RIPTIDE TERROVA

7

ARTICLE(S) REQUIS

#1 x 6

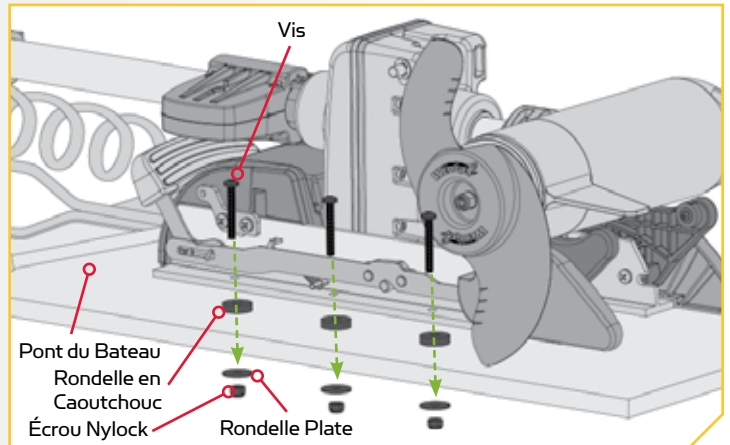
#2 x 6

#3 x 6

#4 x 6

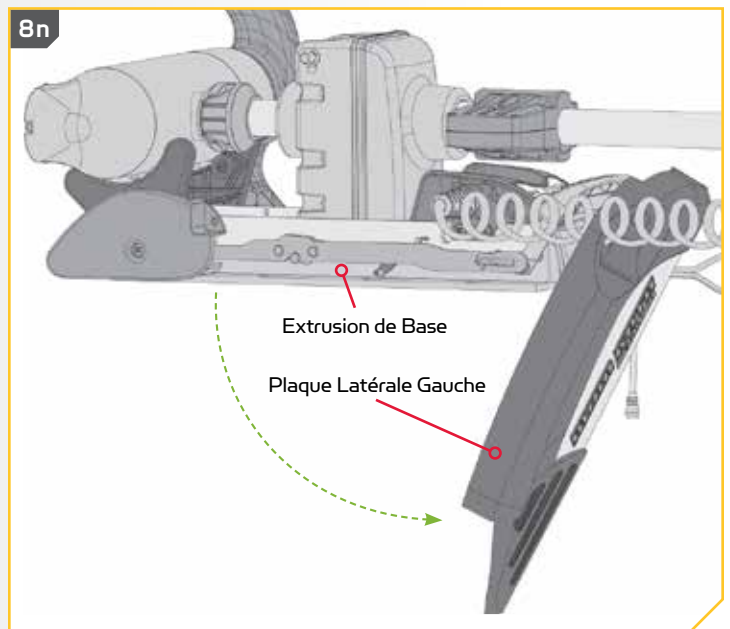
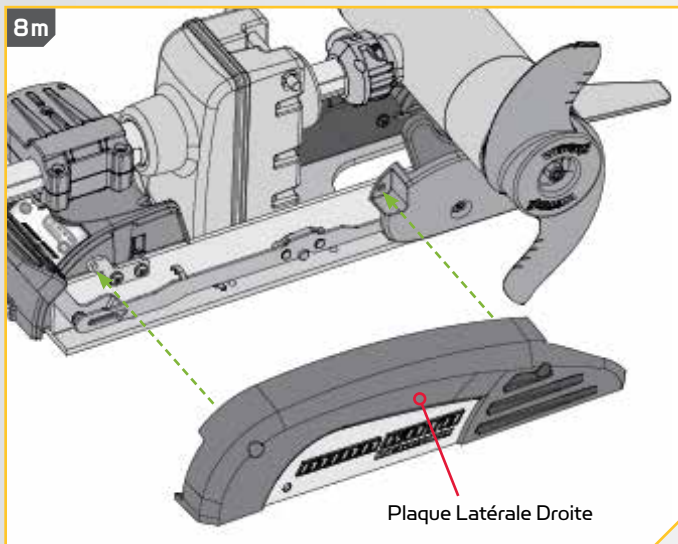
- k. Mettez une vis 1/4-20 x 3 1/2 po (6,4-20 x 88,9 mm) (article n° 1) dans chaque trou percé. La vis doit traverser l'extrusion de base et le pont du bateau. Si les rondelles en caoutchouc (article n° 4) sont utilisées, elles doivent se trouver entre l'extrusion de base et le pont du bateau. Assurez-vous de fixer le moteur avec des vis de chaque côté de l'extrusion de base.
- l. Placez une rondelle plate (article n° 2) puis un écrou Nylock (article n° 3) au bout de chaque vis comme illustré, puis serrez les écrous. Veillez à ce que toute la quincaillerie soit bien fixée.

REMARQUE: Pour prévenir le grippage de la quincaillerie en acier inoxydable, n'utilisez pas d'outils haute vitesse pour l'installation. Le fait de mouiller les vis ou d'appliquer un antigrippant peut aider à prévenir qu'elles grippent.



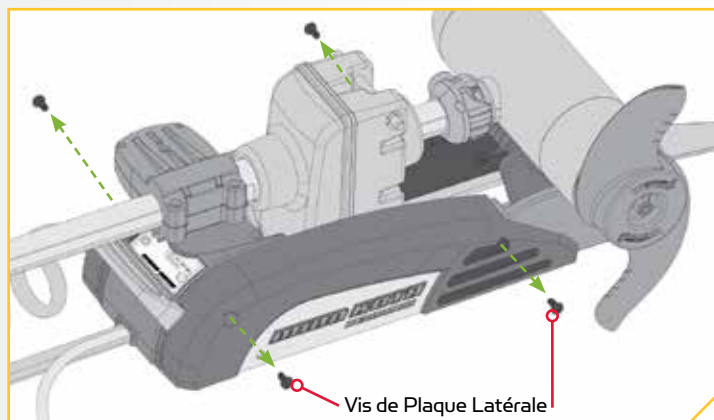
8

- m. Remplacez la plaque latérale droite.
- n. En la faisant pivoter, replacez la plaque latérale gauche dans sa position appropriée sur l'extrusion de base.



9

- o. Remplacez les quatre vis de la plaque latérale en utilisant un tournevis cruciforme n° 3 ou n° 2. Deux de ces vis seront situées de chaque côté du support.



Acheminement du Câble Pour l'i-Pilot Link

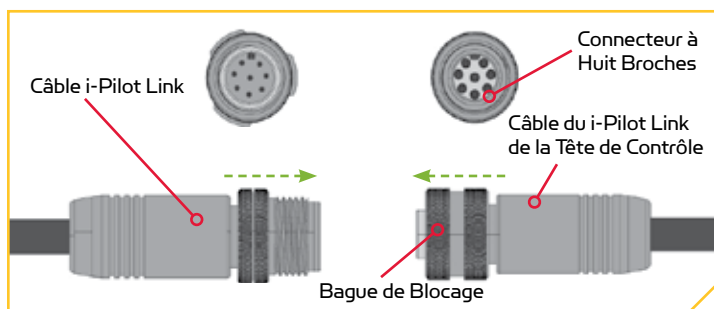
Votre moteur de pêche à la traîne est déjà équipé soit du i-Pilot ou du i-Pilot Link. Pour en savoir plus sur les capacités du GPS offertes avec votre système de navigation i-Pilot ou i-Pilot Link, veuillez vous reporter au manuel du propriétaire correspondant en visitant minnkotamotors.com.

Les fonctionnalités du i-Pilot Link exigent une connexion d'un câble à un dispositif de sortie. Cette connexion se trouve sur le moteur de pêche à la traîne sous la tête de contrôle, si installée. Le système i-Pilot n'a pas besoin d'une connexion externe câblée. S'il n'y a qu'une connexion, votre moteur est équipé du système i-Pilot Link. S'il n'y a aucune connexion, votre moteur peut être installé ou non avec i-Pilot. Veuillez suivre les recommandations de Minn Kota sur l'acheminement des câbles afin d'optimiser et maximiser la fonctionnalité. L'acheminement sera le même, peu importe le nombre de câbles présents. Utiliser les directives suivantes pour effectuer correctement l'acheminement des câbles.

Les câbles sont blindés de sorte à réduire les interférences. Afin de protéger ce blindage, il est recommandé de ne pas serrer fermement les câbles contre des coins vifs ni des objets durs. Si des attaches de câble sont utilisées, évitez de trop serrer. Tout surplus de câble devrait être enlacé en une boucle lâche d'au moins 4 po (10 cm) de diamètre.

Afin de réduire les interférences causées par le moteur de pêche à la traîne, assurez-vous que le détecteur de poissons et le moteur de pêche à la traîne sont actionnés par des batteries indépendantes. Veuillez vous reporter aux sections sur l'Installation de la batterie et du câblage, câblage du moteur

dans le présent manuel pour des directives sur le raccordement.



ACHEMINEMENT DU CÂBLE POUR L' i-PILOT LINK

1

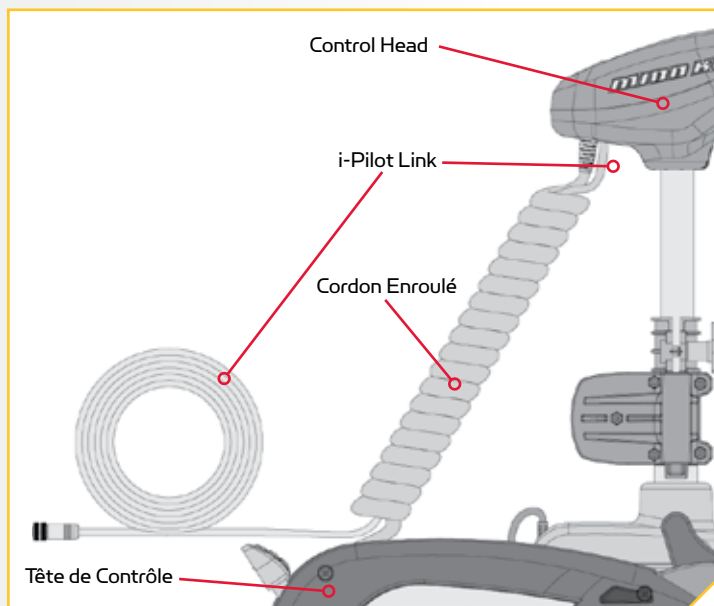
- a. Placez le moteur dans la position déployée.
- b. Trouvez le câble i-Pilot Link, à la base de la tête de contrôle.



MISE EN GARDE

Le défaut de suivre l'acheminement recommandé des fils pour le câble du i-Pilot Link, si équipé, peut causer des dommages au produit et annuler sa garantie. Acheminez les câbles en évitant les points de pincement et les autres zones qui pourraient faire en sorte que les câbles soient pliés à des angles aigus. Effectuer l'acheminement des câbles d'une tout autre façon que celle dictée peut entraîner des dommages aux câbles par un pincement ou sectionnement.

- c. Le câble du i-Pilot Link doit être passé entièrement au travers du cordon enroulé. Il doit sortir du cordon enroulé au bas de ce dernier, où il se connecte au support.



REMARQUE: Lorsque le câble du i-Pilot Link est sorti du cordon enroulé, il doit être acheminé par un système d'acheminement établi sur le bateau, dans une zone libre d'interférences. Inspectez bien le chemin planifié pour vous assurer qu'il n'y a pas d'arêtes vives, d'obstacles ou d'obstructions qui pourraient endommager les câbles.

INSTALLATION DES BATTERIES ET DU CÂBLAGE

GRÉEMENT DE L'EMBARCATION ET INSTALLATION DU PRODUIT

Pour des raisons de sécurité et de conformité, nous vous recommandons de suivre les normes du conseil américain sur les embarcations et les yachts (ABYC) pour le gréement de l'embarcation. Les altérations dans le câblage de l'embarcation devraient être complétées par un technicien de marine qualifié. Les spécifications suivantes sont seulement des lignes directrices générales:



MISE EN GARDE

Ces lignes directrices s'appliquent au gréement général pour soutenir le moteur de Minn Kota. L'alimentation de multiples moteurs ou d'autres appareils électriques, à partir du même circuit d'alimentation, peut influencer sur le gabarit de conducteurs et le dimensionnement des disjoncteurs recommandé. Pour un fil plus long que celui fourni avec l'appareil, suivre le tableau de dimensionnement de gabarit des conducteurs et des disjoncteurs du tableau ci-dessous. Si la longueur totale de la rallonge est de plus de 25 pi (7,60 m), nous vous recommandons de communiquer avec un technicien maritime qualifié.



MISE EN GARDE

Un dispositif de protection contre la surintensité (disjoncteur ou fusible) doit être utilisé. Les préalables de la garde côtière exigent que chaque conducteur de courant, qui n'est pas fixé, soit protégé par un fusible ou un disjoncteur qui se réinitialise manuellement et qui ne peut se déclencher automatiquement. Le dimensionnement du type (courant et tension de puissance nominale) de fusible ou de disjoncteur doit être choisi en fonction du propulseur électrique utilisé. Le tableau ci-dessous donne les lignes directrices recommandées pour ce qui est du dimensionnement des disjoncteurs.

TABLEAU DES DIMENSIONS DE GABARIT DES CONDUCTEURS ET DISJONCTEURS

Le présent tableau des dimensions de gabarit des conducteurs et disjoncteurs est uniquement valable pour les hypothèses suivantes:

1. Il n'y a pas plus de 2 conducteurs qui sont regroupés à l'intérieur d'une gaine ou d'un conduit à l'extérieur de l'espace moteur.
2. Chaque conducteur est muni d'un isolant d'une température nominale de 105 °C.
3. Aucune chute de tension de plus de 5 % n'est autorisée lorsque le moteur est à plein régime, en fonction des exigences en matière d'alimentation du produit qui ont été publiées.

Modèle/ Poussée du Moteur	Courant Tiré Max	Disjoncteur	Longueur de la Rallonge				
			1.5 mètres	3 mètres	4.5 mètres	6 mètres	7.5 mètres
30 lb.	30	50 Amp @ 12 VDC	6 mm ²	6 mm ²	10 mm ²	16 mm ²	25 mm ²
40 lb., 45 lb.	42		6 mm ²	10 mm ²	16 mm ²	25 mm ²	25 mm ²
50 lb., 55 lb.	50	60 Amp @ 12 VDC	10 mm ²	16 mm ²	25 mm ²	25 mm ²	35 mm ²
70 lb.	42	50 Amp @ 24 VDC	6 mm ²	6 mm ²	10 mm ²	10 mm ²	16 mm ²
80 lb.	56	60 Amp @ 24 VDC	10 mm ²	10 mm ²	10 mm ²	16 mm ²	16 mm ²
101 lb.	46	50 Amp @ 36 VDC	10 mm ²	10 mm ²	10 mm ²	10 mm ²	10 mm ²
Engine Mount 101	50	60 Amp @ 36 VDC	10 mm ²	16 mm ²	25 mm ²	25 mm ²	35 mm ²
112 lb.	52	60 Amp @ 36 VDC	10 mm ²	10 mm ²	10 mm ²	10 mm ²	10 mm ²
Engine Mount 160	116	(2) x 60 Amp @ 24 VDC	35 mm ²	35 mm ²	35 mm ²	35 mm ²	35 mm ²
E-Drive	40	50 Amp @ 48 VDC	6 mm ²	6 mm ²	6 mm ²	6 mm ²	6 mm ²

*La longueur de la rallonge fait référence à la distance séparant les batteries des fils du propulseur électrique.

Référence

Le code des règlements fédéraux des États-Unis : article 183 du titre 33 du CFR - Embarcations et équipements associés ABYC E-11 : systèmes électriques CA et CC sur les embarcations.

SÉLECTIONNER UNE BATTERIE ADÉQUATE

SÉLECTIONNER UNE BATTERIE ADÉQUATE

Le moteur fonctionnera avec toute batterie marine plomb/acide à décharge profonde de 12 volts. Pour un meilleur résultat, utiliser une batterie marine à décharge profonde avec ampérage nominal d'au moins 105 ampères/heure. Selon une estimation générale effectuée sur l'eau, votre moteur de 12 volts utilisera un ampère par heure et votre moteur de 24 volts, 0,75 ampère par heure, pour chaque coup de poussée produite lorsque le moteur tourne à plein régime. L'ampérage réel utilisé est en fonction des conditions environnementales spécifiques et des exigences de fonctionnement. Maintenir la batterie complètement chargée. Un entretien adéquat fera en sorte que le courant sera disponible le moment venu et améliorer considérablement la durée de vie de la batterie. Le fait de ne pas recharger les batteries au plomb (dans les 12 à 24 heures) est la principale cause de défaillance prématurée de celles-ci. Utiliser un chargeur à taux variable afin d'éviter une surcharge. Nous offrons une vaste sélection de chargeurs en fonction de vos besoins. Si vous utilisez une batterie à manivelle pour démarrer un moteur hors-bord à essence, nous vous recommandons d'utiliser des batteries marines à décharge profonde séparées pour votre propulseur électrique Minn Kota.



AVERTISSEMENT

Ne jamais brancher les bornes (+) et (-) de la batterie ensemble. S'assurer qu'aucun objet métallique ne puisse tomber sur la batterie et provoquer un court-circuit aux bornes. Cela provoquerait immédiatement un court-circuit et un risque extrême d'incendie.



MISE EN GARDE

Consultez le "Tableau des dimensions de gabarit des conducteurs et disjoncteurs" dans la section précédente pour trouver le disjoncteur ou fusible approprié convenant à votre moteur. Pour les moteurs nécessitant un disjoncteur de 60 A, le disjoncteur Minn Kota MKR-19 60 A est recommandé.



MISE EN GARDE

Veuillez lire les renseignements suivants avant de connecter votre moteur à vos batteries afin d'éviter d'endommager votre moteur ou d'annuler votre garantie.

AUTRES POINTS À CONSIDÉRER

Utilisation de Chargeurs à C.C. ou Alternateurs

Votre propulseur électrique Minn Kota est doté d'un fil de masse interne pour réduire les interférences avec d'autres sonars. La plupart des systèmes de charge alternateurs ne tiennent pas compte de ce fil de masse et connectent les bornes négatives des batteries du propulseur électrique aux bornes négatives de la batterie à manivelle/de démarrage. Ces connexions externes peuvent endommager les composants électroniques connectés ou le système électrique de votre propulseur électrique et ainsi annuler votre garantie. Passez attentivement en revue le manuel de votre chargeur ou consultez son fabricant afin de vous assurer que votre chargeur est compatible avant de l'utiliser.

Minn Kota recommande l'utilisation de chargeurs de marque Minn Kota pour recharger les batteries connectées à votre propulseur électrique Minn Kota, étant donné qu'ils ont été conçus de sorte à fonctionner avec les moteurs dotés d'un fil de masse.

Accessoires Supplémentaires Connectés aux Batteries du Propulseur Électrique

Votre moteur Minn Kota, les composants électroniques de votre bateau ou votre bateau peuvent subir des dommages importants si de mauvaises connexions ont été effectuées entre les batteries de votre propulseur électrique et un autre système de batterie. Minn Kota recommande d'utiliser un système de batterie exclusif pour votre propulseur électrique. Lorsque possible, les accessoires doivent être branchés sur un système de batterie séparé. Les radios et les sonars ne doivent être connectés à aucune batterie du propulseur électrique étant donné que les interférences provenant du propulseur électrique sont inévitables. Lorsque vous connectez un accessoire supplémentaire à l'une des batteries du propulseur électrique, ou lorsque vous effectuez des connexions entre les batteries du propulseur électrique et d'autres systèmes de batterie sur le bateau, assurez-vous de respecter attentivement les indications ci-dessous.

La connexion négative (-) doit être connectée à la borne négative de la même batterie à laquelle la borne négative du propulseur électrique est connectée. Sur le tableau, cette batterie est appelée batterie « côté inférieur ». La connexion à une autre batterie du propulseur électrique fera entrer une tension positive dans la « mise à la terre » de cet accessoire, pouvant causer une corrosion excessive. Tout dommage causé par de mauvaises connexions entre les systèmes de batterie ne sera pas couvert par la garantie.

Systèmes de Démarrage d'Appoint et Commutateurs

Les systèmes de démarrage d'appoint et les commutateurs relient les bornes négatives des batteries connectées entre elles. La connexion de ces systèmes à la batterie "Côté Supérieur" ou à la batterie "Milieu" risque de causer d'importants dommages à votre propulseur électrique ou aux composants électroniques. La seule batterie du propulseur électrique qui peut être connectée de façon sécuritaire à un de ces systèmes est la batterie "Côté inférieur".

REMARQUE: Le fil de masse interne est doté d'un fusible de 3 A. Les mauvaises connexions décrites ci-dessus avec une intensité supérieure à 3 A feront sauter ce fusible et aucun autre dommage ne sera exposé. Si cela se produit, les interférences RF du propulseur électrique affectant les sonars et les autres composants électroniques seront plus significatives. Si le fusible saute, il faut trouver le mauvais raccordement et le résoudre avant de remplacer le fusible. Le fusible de rechange devrait être d'un courant de 3 A ou moins. Un fusible intact ne signifie pas un raccordement adéquat; d'importants dommages peuvent être causés par un câblage incorrect sans pour autant que le courant n'approche 3 A.

COMMENT RACCORDER LA BATTERIE

Systèmes de 12 Volts

1. S'assurer que le moteur est coupé (sélecteur de vitesse sur « 0 »).
2. Raccorder le fil rouge positif (+) à la borne positive (+) de la batterie.
3. Raccorder le fil noir négatif (-) à la borne négative (-) de la batterie.
4. Pour des raisons de sécurité, ne pas allumer le moteur jusqu'à ce que l'hélice soit dans l'eau.



AVERTISSEMENT

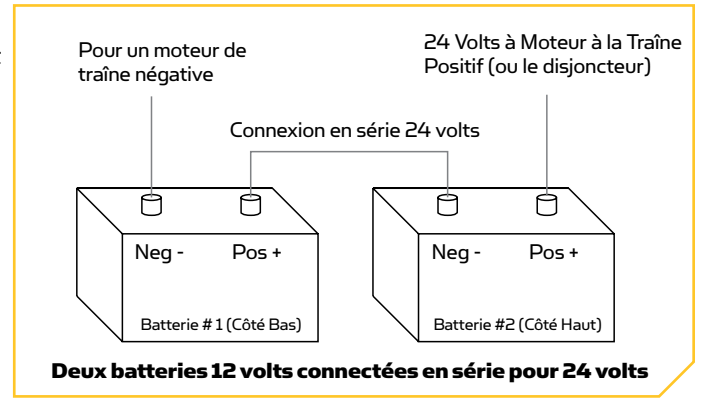
Pour des raisons de sécurité, ne pas allumer le moteur jusqu'à ce que l'hélice soit dans l'eau. Si vous installez un raccordement en fil de plomb, respectez les polarités appropriées et suivez les instructions qui se trouvent dans votre manuel du propriétaire du bateau.

CONNEXION DES BATTERIES EN SÉRIE (SI REQUIS POUR VOTRE MOTEUR)

Systemes de 24 Volts

Deux batteries de 12 volts sont nécessaires. Les batteries doivent être branchées en série, uniquement tel qu'illustré dans le schéma de câblage, afin de fournir 24 volts.

1. Assurez-vous que le moteur est éteint (sélecteur de vitesse sur "0").
2. Branchez un câble de raccordement à la borne positive (+) de la batterie 1 et à la borne négative (-) de la batterie 2.
3. Branchez le fil rouge positif (+) à la borne positive (+) sur la batterie 2.
4. Branchez le fil noir négatif (-) à la borne négative (-) de la batterie 1.



AVERTISSEMENT

Pour des raisons de sécurité, ne pas allumer le moteur jusqu'à ce que l'hélice soit dans l'eau. Si vous installez un raccordement en fil de plomb, respectez les polarités appropriées et suivez les instructions qui se trouvent dans votre manuel du propriétaire du bateau.



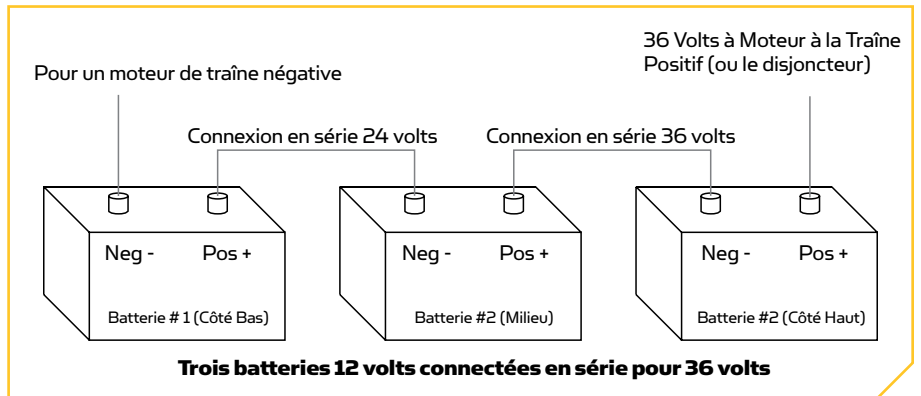
AVERTISSEMENT

- Pour des raisons de sécurité, débranchez le moteur des batteries lorsque le moteur n'est pas utilisé ou pendant la charge.
- Une mauvaise installation du câblage des systèmes de 24/36 volts pourrait provoquer une explosion des batteries.
- Gardez le serrage des écrous de papillon de raccordement solide et bien serré autour des bornes de la batterie.
- Installez la batterie dans un compartiment ventilé.

Systèmes de 36 Volts

Trois batteries de 12 volts sont nécessaires. Les batteries doivent être branchées en série, uniquement tel qu'illustré dans le schéma de câblage, afin de fournir 36 volts.

1. Assurez-vous que le moteur est éteint (sélecteur de vitesse sur "0").
2. Branchez un câble de raccordement à la borne positive (+) de la batterie 1 et à la borne négative (-) de la batterie 2. Branchez autre câble de raccordement à la borne positive (+) de la batterie 2 et à la borne négative (-) de la batterie 3.
3. Branchez le fil rouge positif (+) à la borne positive (+) sur la batterie 3.
4. Branchez le fil noir négatif (-) à la borne négative (-) de la batterie 1.



AVERTISSEMENT

Pour des raisons de sécurité, ne pas allumer le moteur jusqu'à ce que l'hélice soit dans l'eau. Si vous installez un raccordement en fil de plomb, respectez les polarités appropriées et suivez les instructions qui se trouvent dans votre manuel du propriétaire du bateau.



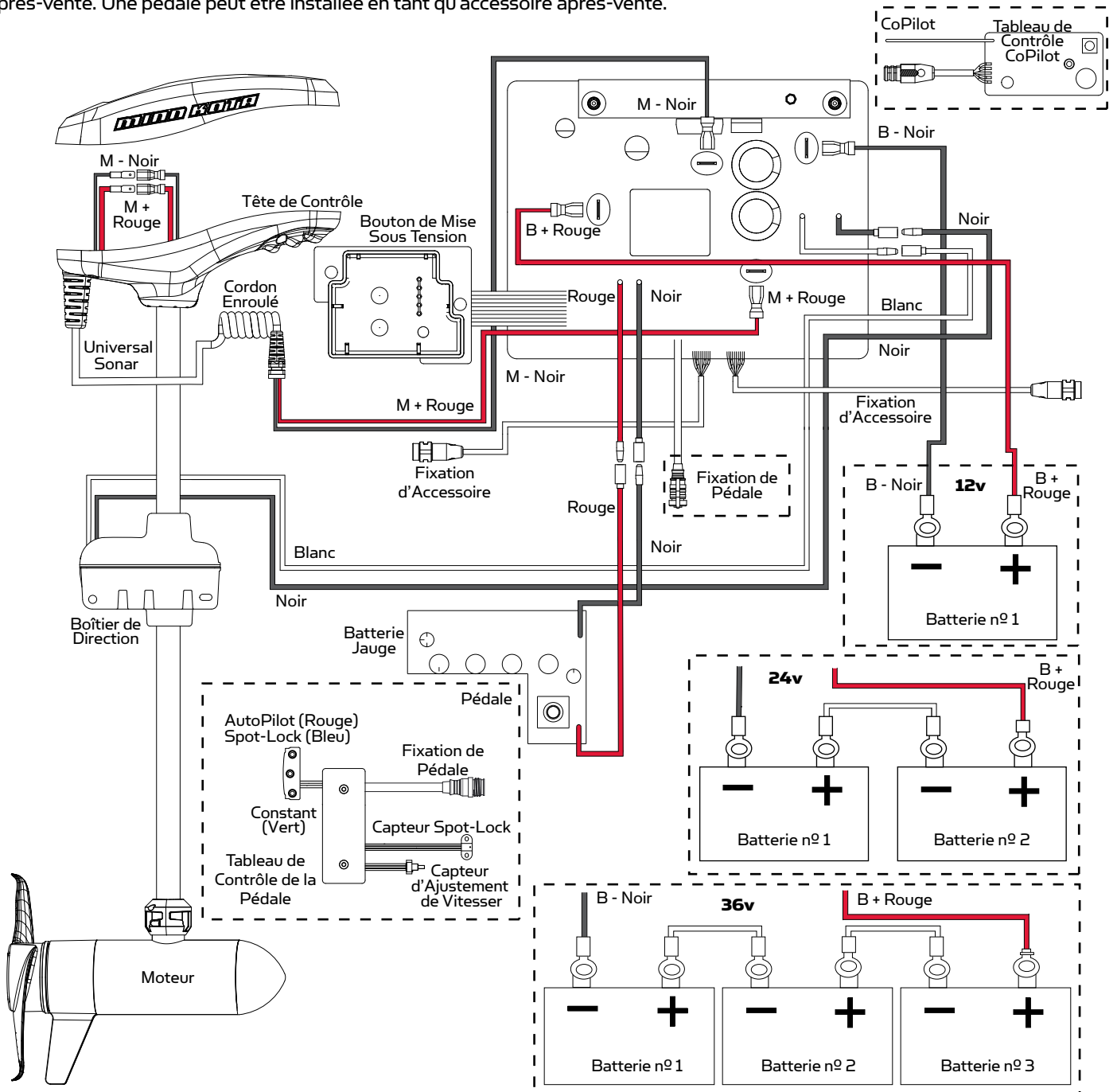
AVERTISSEMENT

- Pour des raisons de sécurité, débranchez le moteur des batteries lorsque le moteur n'est pas utilisé ou pendant la charge.
- Une mauvaise installation du câblage des systèmes de 24/36 volts pourrait provoquer une explosion des batteries.
- Gardez le serrage des écrous de papillon de raccordement solide et bien serré autour des bornes de la batterie.
- Installez la batterie dans un compartiment ventilé.

SCHÉMA DE CÂBLAGE DU MOTEUR

RIPTIDE TERROVA

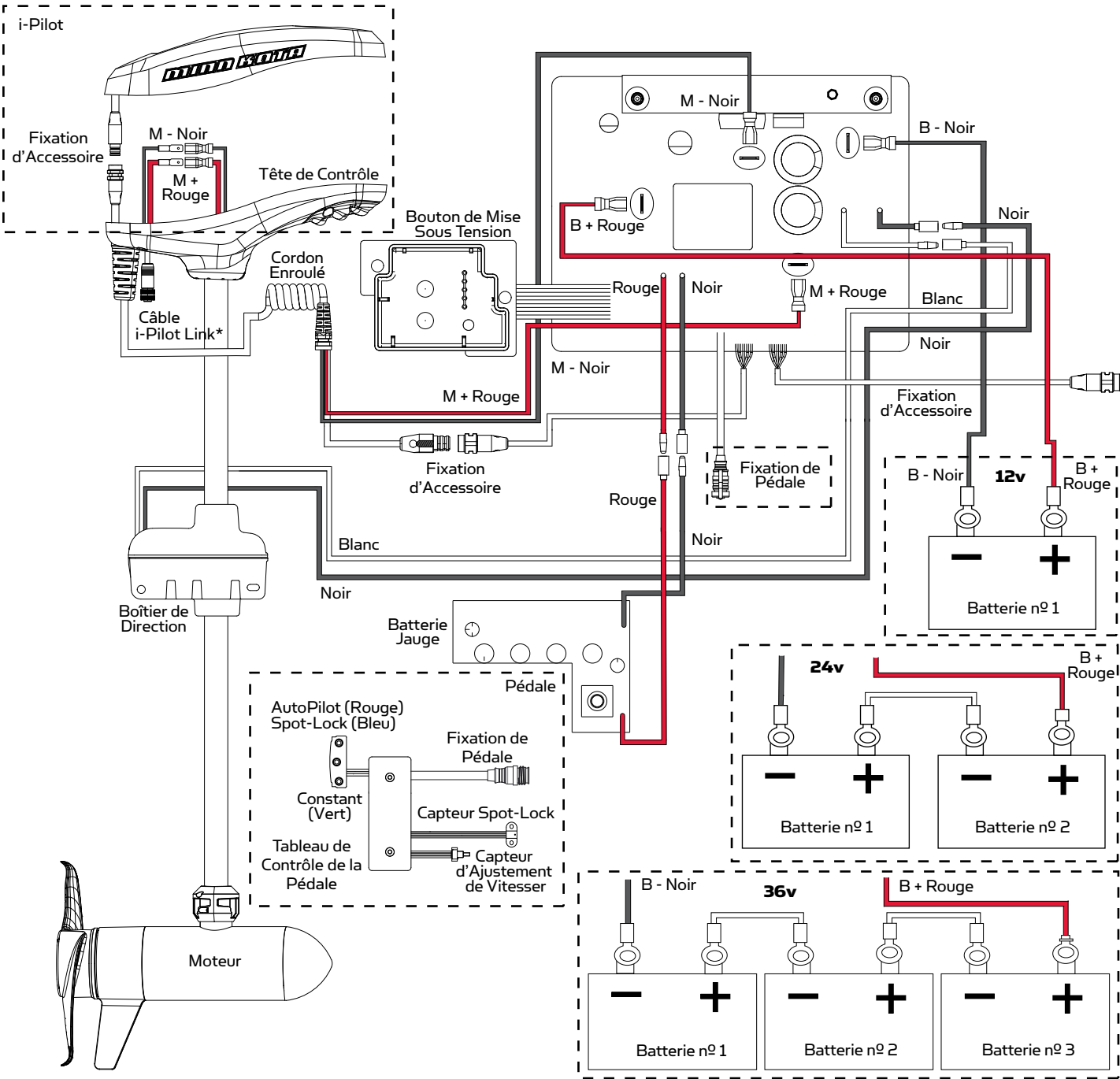
Le schéma de câblage de moteur suivant s'applique à tous les modèles Riptide Terrova livrés avec une télécommande i-Pilot ou i-Pilot Link installée en usine. Le CoPilot peut être installé en usine, mais il peut également être installé en tant qu'accessoire après-vente. Une pédale peut être installée en tant qu'accessoire après-vente.



REMARQUE: Il s'agit d'un schéma multitenion. Revérifiez la tension de votre moteur afin d'effectuer les raccordements appropriés. Les dispositifs de protection contre la surintensité ne figurent pas dans cette illustration.

RIPTIDE TERROVA AVEC TÉLÉCOMMANDE I-PILOT OU I-PILOT LINK

Le schéma de câblage de moteur suivant s'applique à tous les modèles Riptide Terrova livrés avec une télécommande i-Pilot ou i-Pilot Link installée en usine. Une pédale peut être installée en tant qu'accessoire après-vente.

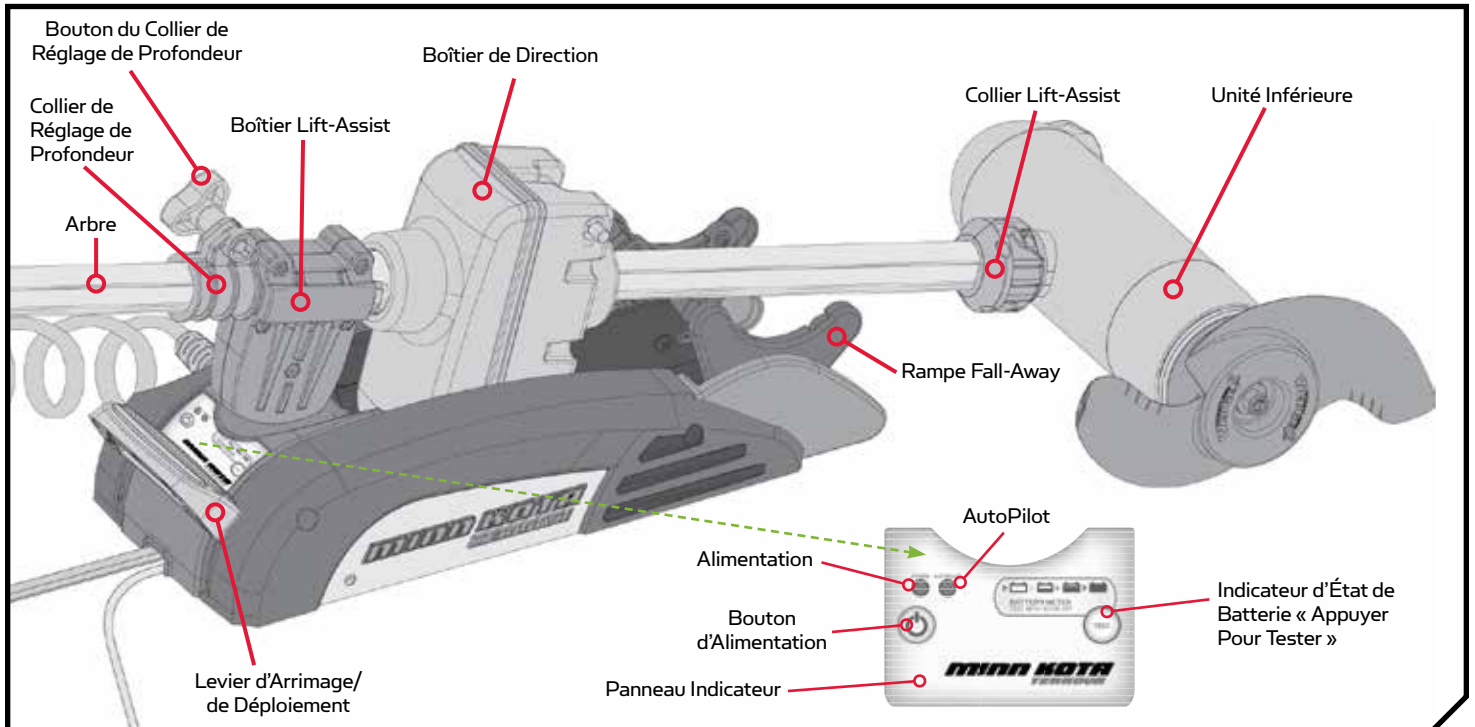


REMARQUE: Il s'agit d'un schéma multitension. Revérifiez la tension de votre moteur afin d'effectuer les raccordements appropriés. Les dispositifs de protection contre la surintensité ne figurent pas dans cette illustration.

UTILISATION ET RÉGLAGE DU MOTEUR

CARACTÉRISTIQUES DU SUPPORT

Prenez connaissance des fonctionnalités du moteur afin de maximiser les capacités qu'offre ce produit.



Collier de Réglage de Profondeur et Bouton du Collier de Réglage de Profondeur

Le collier de réglage de profondeur est situé sur l'arbre au-dessus du boîtier Lift-Assist. Il sert à maintenir le moteur à la bonne profondeur lorsque ce dernier est déployé. Il sert aussi à maintenir l'unité inférieure en place en position arrimée, lorsqu'elle n'est pas utilisée et pendant le transport. Le bouton du collier de réglage de profondeur sert à serrer et à desserrer le collier de réglage de profondeur afin qu'il puisse être utilisé pour faire glisser l'arbre du moteur vers le haut et le bas.






AVERTISSEMENT

Lors du transport du moteur, il est important de placer le collier de réglage de profondeur complètement contre le boîtier Lift-Assist et de le serrer. Cette mesure assure un arrimage sécuritaire et maintient le moteur en place pendant le transport, car le moteur pourrait être soumis à des vibrations et à des chocs importants pendant le transport. Ne pas fixer le moteur pourrait causer une blessure ou des dommages à l'appareil.

Rampes Fall-Away

Les rampes Fall-Away retiennent l'unité inférieure lorsque le moteur est arrimé et pivotent pour libérer l'unité inférieure lors de son déploiement. Lorsque le levier d'arrimage/de déploiement est enfoncé, il déverrouille la position des rampes Fall-Away et les rampes pivotent pour guider l'unité inférieure vers le support lorsque le moteur est arrimé.

Bouton d'Alimentation

Le bouton Power  (mise en marche) est situé à la base du moteur sur le panneau indicateur du support. Le moteur Terrova doit être démarré et arrêté manuellement. Lorsque le moteur est démarré, l'indicateur de mise en marche est allumé en vert,  et cet indicateur est éteint lorsque le moteur est arrêté .



AVERTISSEMENT



Lorsque vous arrimez ou déployez le moteur, gardez vos doigts loin de toutes les charnières et pièces mobiles ainsi que de tous les points de pivot.



MISE EN GARDE

Pour des raisons de sécurité, débranchez le moteur de la ou des batteries lorsque le moteur n'est pas utilisé ainsi que pendant la charge de la ou des batteries. Si le contrôle du moteur est laissé en marche et que la rotation de l'hélice est bloquée, cela peut endommager sérieusement le moteur.

AutoPilot

L'indicateur AutoPilot (pilote automatique) est situé sur le panneau indicateur du support. Il est allumé en vert  lorsque le pilote automatique est engagé et il est éteint lorsque  le pilote automatique n'est pas engagé.

Levier d'Arrimage/de Déploiement

Le levier d'arrimage/de déploiement est situé au haut du support. Le levier d'arrimage/de déploiement déverrouille les rampes Fall-Away, qui pivotent afin de guider l'unité inférieure. Le levier d'arrimage/de déploiement doit être abaissé pour l'activer.

ARRIMAGE ET DÉPLOIEMENT DU MOTEUR

Pour Déployer le Moteur

Desserrez le collier de réglage de profondeur, puis appuyez fermement sur le levier d'arrimage/de déploiement pour relâcher le collier Lift-Assist et glisser le moteur vers l'avant, hors de la rampe Fall-Away. Abaissez le moteur à la profondeur désirée. Assurez-vous qu'il s'enclenche en position verticale, de façon sécuritaire. Une fois qu'il est à la profondeur désirée, faites glisser le collier de réglage de profondeur contre le boîtier Lift-Assist et serrez-le.

Pour Arrimer le Moteur

Desserrez le collier de réglage de profondeur et appuyez sur le levier d'arrimage/de déploiement. Levez le moteur en tirant sur l'arbre ou sur la tête de contrôle. Tirez le moteur vers la poupe jusqu'à ce qu'il soit appuyé solidement sur la rampe Fall-Away et que les rampes Fall-Away capturent l'unité inférieure. Glissez le collier de réglage de profondeur vers le bas et fixez-le contre la partie supérieure du boîtier Lift-Assist pour fixer le moteur en place et empêcher un déploiement accidentel.



AVERTISSEMENT

Lorsque vous arrimez ou déployez le moteur, gardez vos doigts loin de toutes les charnières et pièces mobiles ainsi que de tous les points de pivot.



AVERTISSEMENT

La tête de contrôle formera un point de pincement si le bouton du collier de réglage de profondeur est desserré et que la tête de contrôle glisse sur le dessus du collier de réglage de profondeur. Saisissez l'arbre et empêchez-le de glisser jusqu'en bas pour prévenir le point de pincement.

Utilisez de bonnes pratiques ergonomiques lorsque vous arrimez et déployez le moteur afin de prévenir les blessures.



AVERTISSEMENT

Les pièces mobiles peuvent couper ou écraser. Le boîtier Lift-Assist peut se détacher du boîtier de direction et causer un danger d'écrasement. Gardez vos doigts loin des pièces mobiles.



AVERTISSEMENT

Si une hélice rencontre une obstruction en mode en rappel ou constante, alors qu'elle tourne, l'augmentation de la demande de courant électrique générée par l'obstruction signalera au moteur de réduire la puissance à l'hélice pour prévenir les dommages. Si la surcharge courante est détectée pendant plus de 20 secondes, l'hélice sera désactivée pour prévenir un dommage au moteur. Dans ce cas, l'opérateur peut remettre l'hélice en marche après avoir dégagé l'obstruction.

INDICATEUR D'ÉTAT DE BATTERIE « APPUYER POUR TESTER »

INDICATEUR D'ÉTAT DE BATTERIE « APPUYER POUR TESTER »

Ce moteur est muni d'un indicateur d'état de batterie « Appuyer pour tester ». Les DEL se trouvent sur le panneau indicateur situé sur le support du moteur. L'indicateur d'état de batterie fournit un affichage précis de la charge restante dans la batterie. Il est uniquement précis lorsque le moteur est coupé. Voici comment lire l'indicateur :

- Un voyant indique la recharge.
- Deux voyants indiquent une faible charge.
- Trois voyants indiquent une bonne charge.
- Quatre voyants indiquent une pleine charge.



AJUSTEMENT DU MOTEUR

Réglage de la Profondeur du Moteur

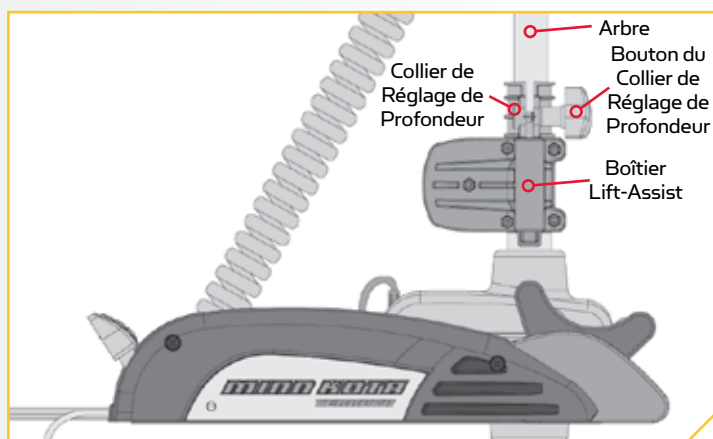
Une fois que le bateau est sur l'eau, il peut être nécessaire d'ajuster l'unité inférieure afin d'obtenir une profondeur qui maximisera la performance du moteur. Au moment du réglage de la profondeur, s'assurer que le haut du moteur est immergé à au moins 12 po (30,5 cm) afin d'éviter de brasser ou d'agiter l'eau à la surface.

- 1
 - a. Avec le moteur en position déployée, localisez le collier de réglage de profondeur sur l'arbre au-dessus du boîtier Lift-Assist.
 - b. En tenant l'arbre, desserrez le bouton du collier de réglage de profondeur jusqu'à ce que l'arbre glisse librement vers le haut et le bas.



AVERTISSEMENT

La tête de contrôle formera un point de pincement si le bouton du collier de réglage de profondeur est desserré et que la tête de contrôle glisse sur le dessus du collier de réglage de profondeur. Saisissez l'arbre et empêchez-le de glisser jusqu'en bas pour prévenir le point de pincement.



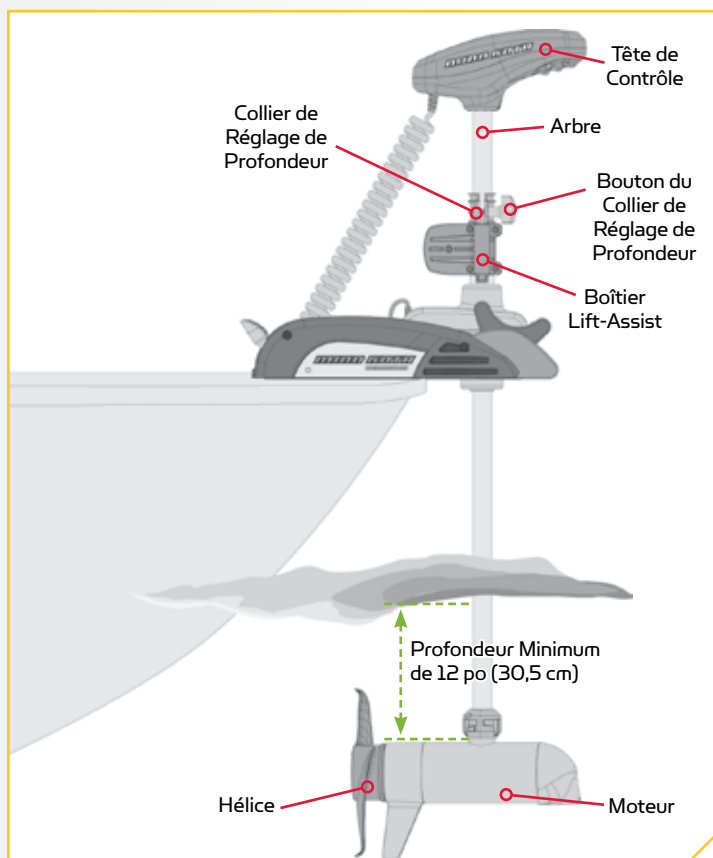
- 2
 - c. Remontez ou abaissez le moteur à la profondeur désirée.
 - d. Tournez la tête de contrôle du moteur à la position désirée.
 - e. Faites glisser le collier de réglage de profondeur contre le boîtier de direction et serrez le bouton du collier de réglage de profondeur pour fixer le moteur en place.

REMARQUE: Au moment du réglage de la profondeur, assurez-vous que le haut du moteur est immergé d'au moins 12 po (30,5 cm) afin d'éviter de brasser ou d'agiter l'eau à la surface.



AVERTISSEMENT

Le boîtier Lift-Assist contient un ressort qui peut se briser en cas d'usure excessive. Faites attention aux pointes aiguës qui peuvent présenter un risque de perforation. Manipulez toujours le moteur avec prudence.



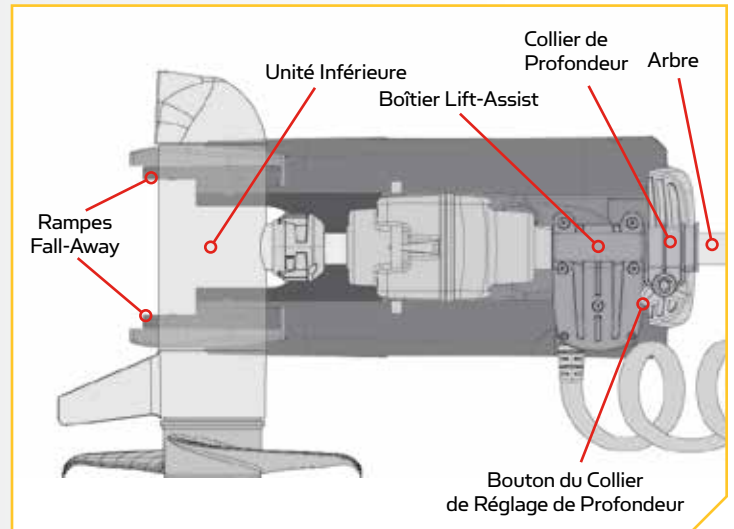
Ajustement de l'Unité Inférieure pour un Arrimage Sûr

Lorsque le moteur est arrimé, l'unité inférieure doit reposer sur les rampes Fall-Away, qui font partie du support du moteur. Il est recommandé de fixer le moteur en suivant ces instructions pour éviter d'endommager le moteur et l'arbre par les vibrations produites lors du transport.

- 1**
- Avant de transporter le bateau sur l'eau ou la terre, arrimez le moteur pour déterminer l'endroit où l'unité inférieure repose sur les rampes Fall-Away.

REMARQUE: Une bonne position de l'unité inférieure la placera directement sur les rampes Fall-Away.

- Si l'unité inférieure ne repose pas sur les rampes Fall-Away, déployez le moteur et arrimez-le à nouveau.
- Veillez à appuyer sur le levier d'arrimage/de déploiement et à ajuster le moteur pour lui permettre de reposer sur les rampes Fall-Away.



! MISE EN GARDE

L'unité inférieure doit être posée sur les rampes de montage chaque fois que le moteur est transporté. Si l'unité inférieure est mal placée, soit au-dessus ou au-dessous de l'aire d'appui du moteur, l'unité inférieure ou l'arbre seront endommagés, et l'arbre ne sera pas bien saisi. Ne pas placer l'unité inférieure comme recommandé risque d'endommager le produit et d'annuler la garantie de ce dernier.

REMARQUE: Glissez le collier de réglage de profondeur vers le bas et fixez-le contre la partie supérieure du boîtier de direction lorsqu'en position arrimée, pour tenir le moteur en place et empêcher un déploiement accidentel.

! AVERTISSEMENT

Lors du transport du moteur, il est important de placer le collier de réglage de profondeur complètement contre le boîtier Lift-Assist et de le serrer. Cette mesure assure un arrimage sécuritaire et maintient le moteur en place pendant le transport, car le moteur pourrait être soumis à des vibrations et à des chocs importants pendant le transport. Ne pas fixer le moteur pourrait causer une blessure ou des dommages à l'appareil.

Installation d'un Transducteur Externe

Un système de transducteur Universal Sonar peut être préinstallé sur votre moteur de pêche à la traîne. Pour connaître la compatibilité et obtenir de plus amples informations sur l'Universal Sonar, veuillez visiter le site minnkotamotors.com. Aucun transducteur externe n'est inclus avec votre moteur de pêche à la traîne. On peut installer un transducteur externe sur le moteur.

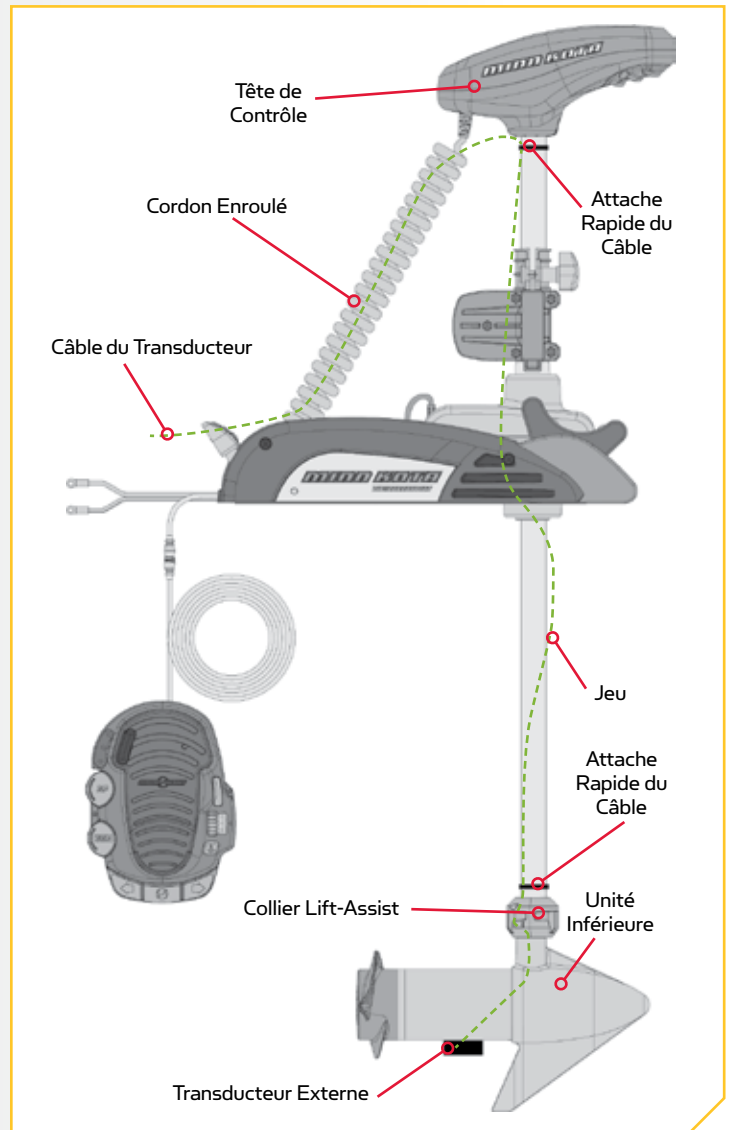
1

- a. Installez le transducteur externe conformément aux instructions fournies avec le transducteur.
- b. Laissez suffisamment de jeu dans le câble du transducteur entre l'unité inférieure et la tête de contrôle pour que le moteur puisse être bien arrimé et déployé.
- c. Utilisez deux attaches rapides pour fixer le câble du transducteur à l'arbre juste au-dessus du collier Lift-Assist et juste au-dessous de la tête de contrôle.
- d. Faites passer le câble du transducteur au travers du cordon enroulé jusqu'à l'alimentation.



MISE EN GARDE

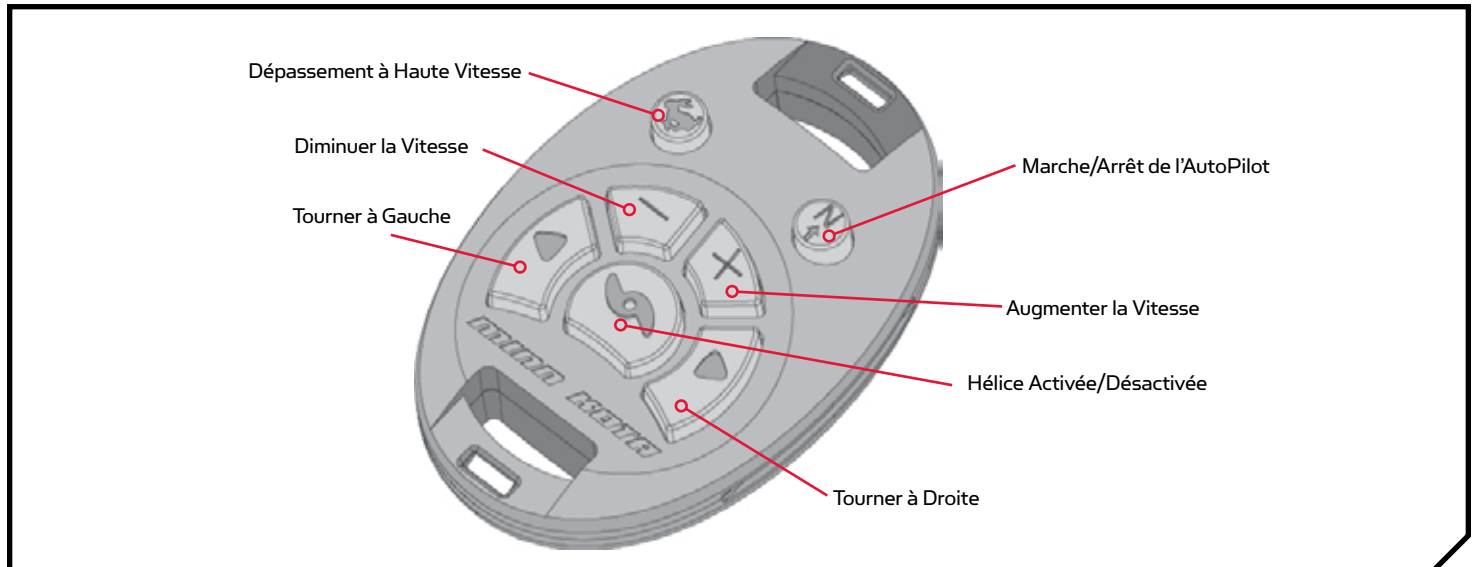
Le défaut de suivre l'acheminement de fil recommandé pour les câbles du transducteur externe peut causer des dommages au produit et annuler sa garantie. Assurez-vous de bien tester la longueur et la position du câble pour vérifier qu'il y a suffisamment de jeu là où nécessaire et que les câbles ne s'emmêleront pas dans des pièces mobiles. Le fait d'acheminer les câbles d'une tout autre façon que celle dictée peut entraîner des dommages aux câbles par un pincement ou sectionnement.



COPILOT

COMMANDE DU MOTEUR AVEC COPILOT

Consultez la section CoPilot complète de ce manuel pour vous familiariser avec cette fonction. Pour obtenir davantage d'information sur CoPilot ou du soutien technique supplémentaire, veuillez visiter minnkotamotors.com.



Hélice Activée/Désactivée

Ce bouton est situé au milieu de la télécommande. Il met l'hélice en marche et l'arrête. Appuyez sur le bouton une fois pour mettre l'hélice en MARCHÉ; appuyez une seconde fois pour l'ARRÊTER. Il n'est pas nécessaire de garder le bouton enfoncé.

Tourner à Gauche et Tourner à Droite

Ces boutons sont situés à droite et à gauche du bouton MARCHÉ/ARRÊT de l'hélice et portent un symbole de flèche. Ils font tourner le moteur dans le sens souhaité, tant que le bouton est maintenu enfoncé. Si le bouton Tourner à droite ou Tourner à gauche est maintenu enfoncé pendant plus de sept secondes, la direction s'arrêtera automatiquement jusqu'à ce que le bouton soit enfoncé à nouveau.

Augmenter la Vitesse et Diminuer la Vitesse

Les boutons pour Augmenter la vitesse et Diminuer la vitesse se trouvent au-dessus du bouton Prop ON/OFF (Marche/arrêt de l'hélice) et sont identifiés par des symboles positif et négatif. Appuyer sur ces boutons et les relâcher ajuste la vitesse par incréments de 1. La vitesse est réglable de 0 à 10. Au réglage 0, l'hélice ne tourne pas.

En mode audio 2, lors du changement de vitesse, un bip se fait entendre pour chaque incrément. Si vous tentez d'aller au-delà de la vitesse 10 ou au-dessous de la vitesse 0, la vitesse ne changera pas et aucun bip ne sera émis. Voir la section Mode audio pour plus d'informations.

Si le récepteur ne détecte aucune commande de pédale ou de télécommande pendant 1 heure, le réglage de vitesse de télécommande est automatiquement réglé à zéro. Cela permet d'éviter l'activation involontaire de l'hélice si le bouton Marche/arrêt de l'hélice de la télécommande est enfoncé par inadvertance.

Marche/Arrêt de l'AutoPilot

Le bouton AutoPilot est situé sur le côté droit supérieur de la télécommande. Il sert à activer et à désactiver la fonction AutoPilot. Notez qu'il n'est pas nécessaire de maintenir le bouton enfoncé. Si le moteur n'est pas équipé de la fonction AutoPilot, le bouton marche/arrêt de l'AutoPilot est inopérant.

Dépassement à Haute Vitesse

Le bouton de Dépassement à haute vitesse (High Speed Bypass) est situé en haut, à gauche, de la télécommande. Il fait passer la vitesse entre le réglage de vitesse actuel et le réglage de vitesse maximal (niveau 10). Appuyer sur ce bouton fait immédiatement passer le moteur à la vitesse 10; appuyer à nouveau sur ce bouton remet le moteur au réglage de vitesse précédent.

UTILISATION GÉNÉRALE DE COPILOT

Utilisation avec la Télécommande et la Pédale

- Le CoPilot et la pédale peuvent être utilisés simultanément pour commander le moteur.
- La priorité de la pédale et de la télécommande CoPilot est déterminée selon la première commande reçue. Si vous appuyez et gardez enfoncé un bouton de la pédale et que vous appuyez ensuite sur un bouton ayant la même fonction sur la télécommande, la pédale aura priorité. La télécommande aurait priorité si elle était la première à envoyer la commande.
- Plusieurs fonctions peuvent être effectuées en même temps. Par exemple, vous pouvez activer et désactiver l'AutoPilot grâce à la télécommande tout en ajustant la vitesse avec la pédale. Si le bouton momentané est enfoncé sur la pédale câblée, vous pouvez ajuster la direction en même temps grâce à la télécommande.
- Lorsque vous enfoncez le bouton momentané de la pédale, les fonctions d'augmentation et de diminution de vitesse ainsi que de mise en marche et d'arrêt de l'hélice de la télécommande ne fonctionneront pas.
- Lorsque la pédale a priorité sur la télécommande et que des commandes de la télécommande sont reçues, le récepteur émet un pépiement, indiquant que la télécommande fonctionne correctement, mais que la pédale a priorité.

Utilisation sans la Pédale

- Si la pédale n'est pas utilisée, le récepteur CoPilot réagira toujours à toutes les commandes de la télécommande CoPilot.

MODES AUDIO

MODES AUDIO

Il existe trois modes audio pour le récepteur. L'unité est réglée en usine au mode audio 2. Pour passer d'un mode audio à un autre, gardez enfoncés simultanément les boutons d'augmentation et de diminution de vitesse pendant une seconde. Le récepteur répondra par 1, 2 ou 3 bips indiquant le changement de mode audio correspondant du récepteur.

Mode Audio	Fonction
Mode 1	Tous les sons normaux mentionnés dans ce manuel du propriétaire, mais pas de bips pour l'augmentation ou la diminution de la vitesse, ni pour la mise en marche/arrêt de l'hélice.
Mode 2	Identique au mode audio 1 avec un bip pour l'augmentation ou la diminution de la vitesse et pour la mise en marche/arrêt de l'hélice.
Mode 3	Identique au mode audio 2, avec un clic sonore à chaque 1,5 seconde lorsque l'hélice est en marche.

REMARQUE: Quand la pédale commande le moteur, que l'hélice est en marche et que le récepteur est réglé au mode audio 3, on entendra un déclic indiquant que l'hélice est en marche.

Séquence Sonore	Quelles Conditions Caused Quelle Séquence Sonore	Audio Mode
1 Bip	Appuyer sur le bouton Augmenter la vitesse ou Diminuer la vitesse	Modes 2 et 3
1 Bip	Appuyer sur le bouton MARCHE/ARRÊT de l'hélice pour mettre l'hélice en marche	Modes 2 et 3
2 Bips	Appuyer sur le bouton MARCHE/ARRÊT de l'hélice pour arrêter l'hélice	Modes 2 et 3
Un Seul Déclic à Chaque 1,5 Seconde	Lorsque l'hélice est en marche, y compris lorsque la vitesse est réglée à 0	Mode 3
1 Bip	Passage au mode audio 1	Tous
2 Bips	Passage au mode audio 2	Tous
3 Bips	Passage au mode audio 3	Tous
1 Pépiement	Chaque fois que le récepteur est mis sous tension et qu'il a été couplé à au moins une télécommande	Tous
1 bip de 2 Secondes	Chaque fois que le récepteur est allumé et qu'il n'y a pas de télécommande couplée	Tous
5 Bips	La molette de commande de vitesse sur la pédale est déplacée après que la vitesse a été ajustée avec la télécommande	Tous
Tonalité Continue	Entendu lorsqu'on maintient enfoncé le bouton Coupler sur le récepteur	Tous
4 Bips	Entendu après que vous appuyez sur une touche de la télécommande tandis que le récepteur s'y couple	Tous
Gazouillement de 10 secondes qui passe à une tonalité continue	Entendu au cours du processus utilisé pour effacer toutes les télécommandes mémorisées après avoir relâché le commutateur Coupler, un bip de 2 secondes est émis	Tous
1 Cip long, 2 Bips courts, pause (répétition)	Mis sous tension avec le commutateur Momentané/constant en position CON (ou le bouton Momentané gardé enfoncé) lorsque la pédale est déplacée vers Momentané, on entendra le signal sonore de mise sous tension	Tous

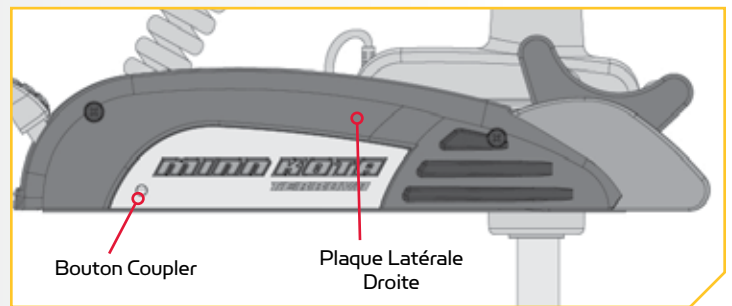
AJOUT/RETRAIT DE TÉLÉCOMMANDES

La télécommande CoPilot est livrée déjà couplée avec le récepteur CoPilot. Toute télécommande supplémentaire doit être couplée au récepteur. Le récepteur stocke toutes les informations de couplage, même lorsque le moteur est déconnecté d'une source d'alimentation.

Pour Coupler des Télécommandes

Votre récepteur peut être couplé avec un maximum de dix télécommandes. Les télécommandes supplémentaires peuvent être couplées en suivant les étapes suivantes. Ces étapes fonctionnent également pour coupler une télécommande si toutes les télécommandes sont effacées du récepteur.

- 1
 - a. À l'aide d'un petit objet pointu tel qu'un stylo ou un tournevis, gardez enfoncé le bouton Coupler situé sur le côté du récepteur.
 - b. Le récepteur émettra une tonalité continue.



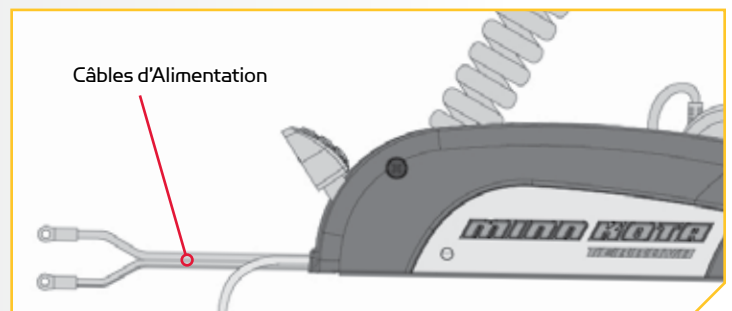
- 2
 - c. Appuyez sur n'importe quel bouton de la télécommande.
 - d. Le récepteur émettra 4 bips confirmant qu'il a bien été couplé à la télécommande.

REMARQUE: Coupler la même télécommande n'effacera pas les télécommandes précédemment couplées. Si le récepteur a été couplé à dix télécommandes, y coupler une onzième remplacera la première télécommande.



Pour Effacer Toutes les Télécommandes du Récepteur

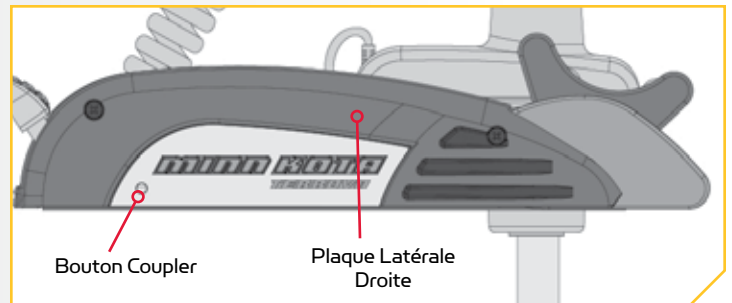
- 1
 - a. Déconnectez l'alimentation du récepteur CoPilot en débranchant les câbles d'alimentation, ou en vous assurant que le disjoncteur, le cas échéant, ouvre le circuit.



REPLACEMENT DE LA PILE

2

- b. Maintenez enfoncé le bouton Coupler et allumez le récepteur CoPilot en reconnectant les câbles d'alimentation, ou en vous assurant que le disjoncteur, le cas échéant, ferme le circuit.
- c. Continuez à appuyer sur le bouton Coupler pendant 10 secondes. Pendant ce temps, le récepteur audio émet un gazouillement, qui passe lentement à un bip continu, puis s'éteint.
- d. Relâchez le bouton Coupler et le récepteur redémarrera. Le récepteur émettra un bip de 2 secondes indiquant que la mémoire est vide. Cette séquence sonore se produira chaque fois que le récepteur est mis sous tension jusqu'à ce qu'une télécommande soit couplée.



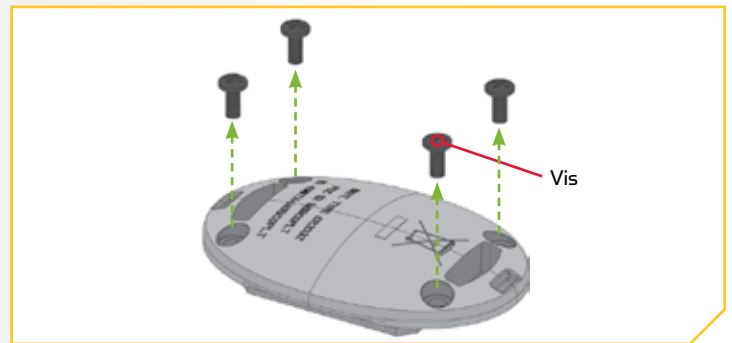
REPLACEMENT DE LA PILE

1

- a. Raccordez-vous temporairement à la terre en touchant un objet métallique mis à la terre afin de décharger toute électricité statique de votre corps.

REMARQUE: La pile de remplacement doit être une pile de type bouton, modèle CR2032. Il est fortement recommandé d'utiliser une pile de marque.

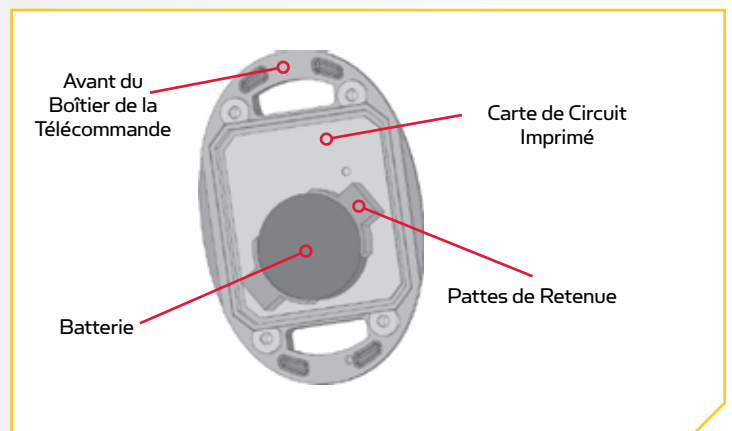
- b. Retirez les quatre vis sur le dessous du boîtier de la télécommande.
- c. Séparez les moitiés du boîtier pour accéder à la carte de circuit imprimé.



2

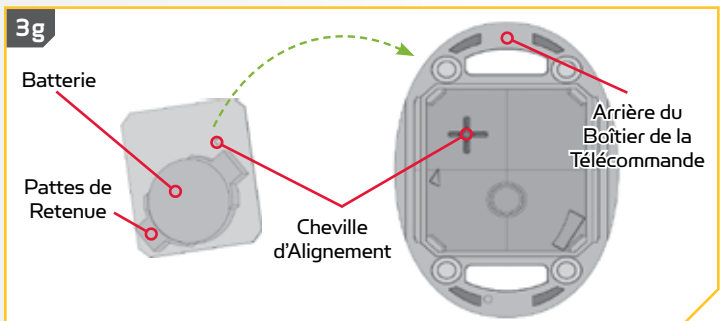
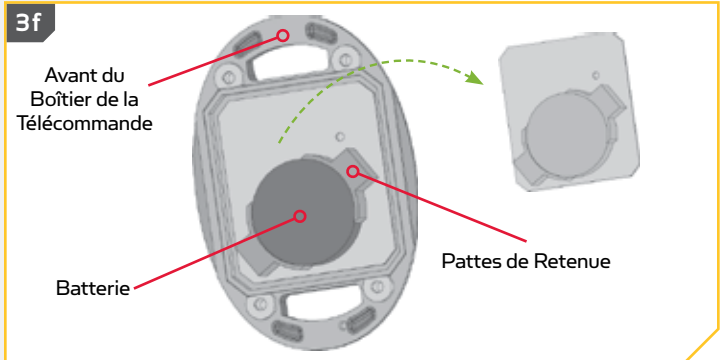
- d. Pour retirer la pile, placez le bout d'un doigt ou du pouce sous le bord exposé de la pile et tirez-la vers le haut.
- e. Installez la nouvelle pile avec le côté positif (+) de la pile face vers le haut, au loin de la carte de circuit imprimé. Assurez-vous que la pile est bien fixée en place.

REMARQUE: La pile de remplacement doit être une pile de type bouton, modèle CR2032. Il est fortement recommandé d'utiliser une pile de marque.



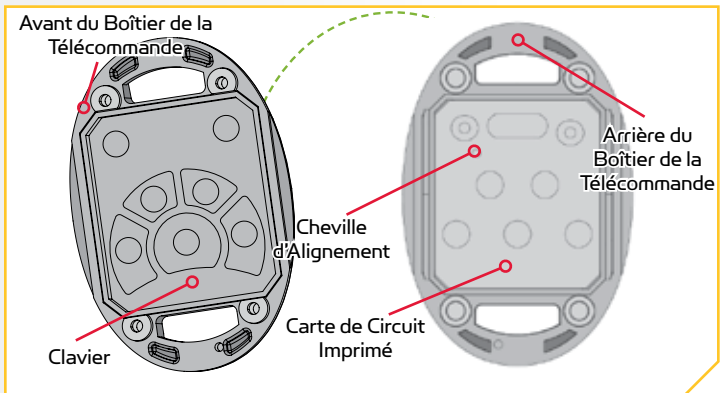
3

- d. Réassemblez la télécommande. Commencez par retirer la carte du devant du boîtier de la télécommande. Il s'agit de la même carte qui maintient la pile en place. Laissez le clavier en place sur le devant de la télécommande.
- e. Notez que la cheville d'alignement à l'arrière du boîtier de la télécommande doit être alignée avec le trou d'alignement correspondant dans la carte de circuit imprimé. Placez la carte avec la pile vers le bas sur l'arrière du boîtier de la télécommande.



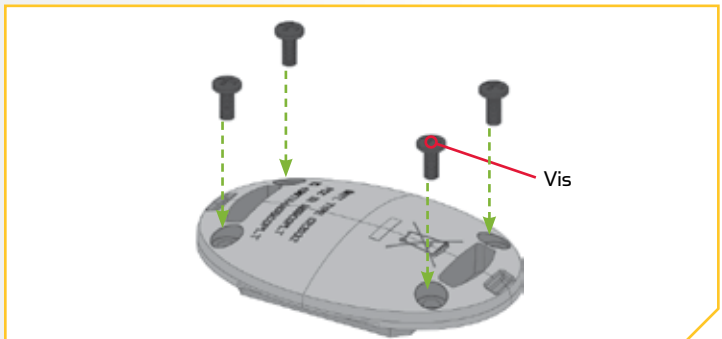
4

- f. Placez l'arrière du boîtier de la télécommande de façon à ce que la cheville d'alignement soit vers le haut lorsque la télécommande est posée sur une surface plane. Positionnez le devant du boîtier de la télécommande de façon à ce que le clavier et les boutons incurvés soient pointés vers le bas lorsque la télécommande est posée sur une surface plane.
- g. Gardez l'arrière du boîtier de la télécommande à plat. Placez le devant du boîtier de la télécommande, avec le clavier en place, sur l'arrière du boîtier de la télécommande. Assurez-vous que le boîtier est bien en place.



5

- h. Réinstallez les quatre vis du boîtier et serrez-les au besoin.



SERVICE ET ENTRETIEN

REPLACEMENT DE L'HÉLICE

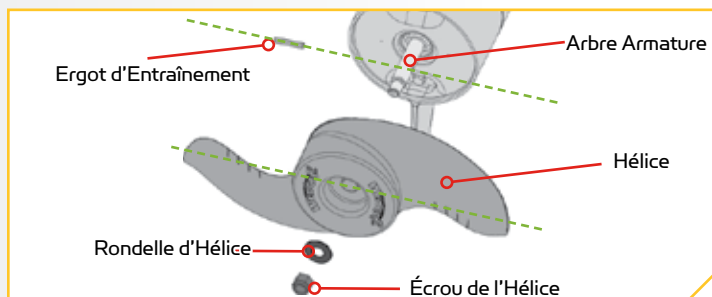
OUTILS ET RESSOURCES NÉCESSAIRES

- Clé plate 9/16 po (14,29 mm)
- Tournevis à lame plate

INSTALLATION

- 1 a. Débrancher le moteur de toute source d'alimentation avant de changer l'hélice.
b. Maintenez l'hélice et desserrez l'écrou de l'hélice à l'aide d'une pince ou d'une clé.
c. Retirez l'écrou et la rondelle de l'hélice.

REMARQUE: Si l'ergot d'entraînement est cisailé ou cassé, tenez l'arbre stable à l'aide d'une lame de tournevis enfoncée dans la fente à l'extrémité de l'arbre pendant que vous desserrez l'écrou de l'hélice.



MISE EN GARDE

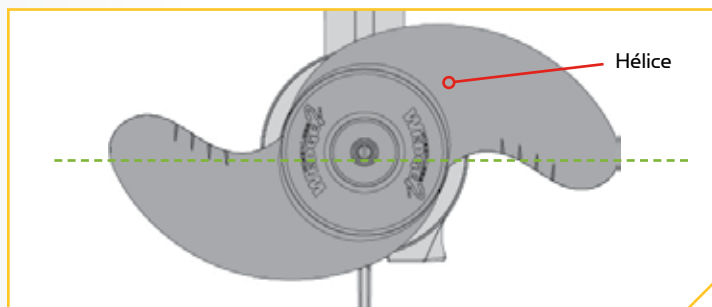
Débranchez le moteur de la batterie avant d'effectuer tout travail ou entretien sur l'hélice.

- 2 d. Tournez la vieille hélice à l'horizontale, puis la retirer à la verticale. Si l'ergot d'entraînement tombe, repoussez-le vers l'intérieur.



MISE EN GARDE

Si l'hélice ne glisse pas facilement, tirez sur l'hélice de manière égale en faisant attention à ne pas plier l'arbre armature tout en retirant l'hélice hors de l'arbre armature.

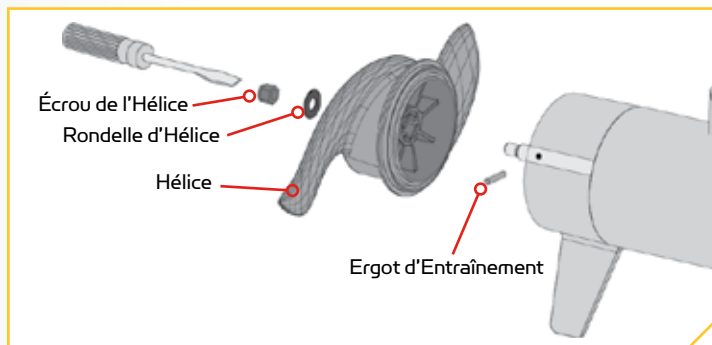


- 3 e. Alignez la nouvelle hélice avec l'ergot d'entraînement.
f. Installez la rondelle et l'écrou de l'hélice.
g. Serrez l'écrou de l'hélice 1/4 de tour passé le serrage confortable à 25-35 po-lb (2,8-4 Nm).



MISE EN GARDE

Ne pas trop serrer pour ne pas endommager l'hélice.



ENTRETIEN GÉNÉRAL

- Après chaque utilisation, le moteur entier doit être rincé à l'eau douce, puis essuyé avec un chiffon imbibé d'un protecteur à base de silicone et d'eau. N'aspergez pas d'eau les ouvertures de ventilation dans la tête du moteur.
- L'arbre en composite doit être régulièrement nettoyé et lubrifié pour une bonne rétraction et un bon déploiement. Une vaporisation de silicone à base aqueuse améliorera son fonctionnement.
- L'hélice doit être inspectée et exempte d'herbe et de ligne de pêche, après chaque utilisation. Les lignes de pêche et les herbes peuvent se nicher derrière l'hélice, abîmer les joints et laisser l'eau pénétrer dans le moteur.
- Chaque fois que le moteur est utilisé, assurez-vous que l'écrou de l'hélice est fixé solidement.
- Afin de prévenir les dommages accidentels, pendant le transport ou l'entreposage, débranchez la batterie lorsque le moteur est hors de l'eau. Pour un entreposage prolongé, enduisez légèrement toutes les parties métalliques d'un protecteur aqueux à base de silicone.
- Pour profiter de la durée de vie maximale de la batterie, rechargez la ou les batteries dès que possible après utilisation. Pour une performance maximale du moteur, rechargez la batterie complètement avant utilisation.
- Gardez les bornes de la batterie propres à l'aide de papier sablé fin ou de toile d'émeri.
- L'hélice est conçue pour fonctionner en repoussant les algues avec un niveau d'efficacité très élevé. Pour maintenir ce haut rendement, le bord d'attaque des pales doit être gardé lisse. S'il est rugueux ou ébréché en raison de l'utilisation, le rendre lisse à nouveau à l'aide de papier de verre fin.
- Maintenez la pédale sèche et propre. Les débris qui pénètrent la pédale peuvent causer une interférence dans l'opération de la pédale. Il est recommandé d'utiliser de l'air comprimé pour nettoyer la pédale après chaque usage.

DÉPANNAGE

1. Le moteur ne tourne pas ou manque de puissance:
 - Vérifier la polarité des raccordements de batterie.
 - Vérifier que les bornes sont propres et exemptes de corrosion. Utiliser du papier sablé ou de la toile d'émeri pour nettoyer les bornes.
 - Vérifier le niveau d'eau de la batterie. Ajouter de l'eau, le cas échéant.
2. Le moteur baisse en puissance peu après son démarrage:
 - Vérifier la charge de la batterie. Si le niveau est bas, la remettre à pleine charge.
3. Le moteur est difficile à diriger:
 - Vérifier que les câbles de direction ont une tension appropriée. Régler, selon le besoin.
4. Si l'hélice vibre en cours de fonctionnement normal:
 - Retirer, puis faire pivoter l'hélice à 180°. Voir les directives pour le retrait dans la section portant sur le remplacement de l'hélice.
5. Votre sondeur fait l'objet d'interférences:
 - Dans certaines applications, de l'interférence à l'écran de l'échosondeur pourra survenir. Nous recommandons d'utiliser une batterie marine à décharge profonde séparée pour votre moteur de pêche à la traîne et d'alimenter l'échosondeur à l'aide d'une batterie de démarrage/à manivelle. Si les problèmes persistent, communiquer avec le service technique au 1 800 227-6433.

REMARQUE: Pour tout autre défaut de fonctionnement, visitez un centre de service agréé. Vous pouvez trouver un centre de service agréé dans votre région en consultant la liste de nos centres de service agréés sur le site minnkotamotors.com, ou en appelant notre service à la clientèle au 1 800 227-6433.

DÉPANNAGE DU COPILOT

Cause	Effet	Solution
La télécommande ne transmet pas.	La pile est déchargée.	Remplacez la batterie.
	Le récepteur peut ne pas être couplé à la télécommande.	La télécommande doit être couplée. Consultez la section Ajout/retrait de télécommandes de ce manuel pour coupler la télécommande.
	Avec la pédale connectée, le commutateur MOM-CON est en position CON. Un signal sonore sera émis si un bouton est enfoncé lorsque la pédale en position CON.	Le commutateur de pédale doit être réglé au mode Momentané (MOM). Le récepteur n'acceptera pas les commandes de la télécommande avec le commutateur réglé au mode Constant (CON).
	Si la télécommande a été démontée, le clavier et le boîtier du haut peuvent avoir été posés à l'envers.	Démontez la télécommande. Consultez la section Remplacement de la pile de ce manuel et réinstallez les moitiés du boîtier dans la bonne orientation.
Lorsque le récepteur est mis sous tension, il émet une séquence de bips (1 bip long, 2 bips courts, pause, répétition).	Le commutateur Momentané/constant de la pédale est en position CON.	Le commutateur de la pédale doit être placé en position MOM. Le signal sonore se poursuivra jusqu'à ce que le commutateur soit placé en position MOM.
L'hélice ne tourne pas, mais la séquence sonore Hélice en MARCHE continue à se faire entendre.	La vitesse de l'hélice est réglée à « 0 ».	Augmentez la vitesse de l'hélice à plus que « 0 »
	La séquence sonore Hélice en MARCHE est émise uniquement en mode audio 3	Faites passer le mode audio à audio 1 ou 2. Consultez la section Modes audio de ce manuel.

POUR D'AUTRES SERVICES DE DÉPANNAGE ET DE RÉPARATION

Nous offrons plusieurs options de dépannage et/ou de réparation pour le produit. Veuillez parcourir les options énumérées ci-dessous.



Acheter des Pièces en Ligne

Vous pouvez acheter des pièces en ligne directement à partir de notre site web à minnkotamotors.com. Les commandes confirmées avant midi (heure du centre) seront expédiées le jour même, si les articles sont en stock. Les commandes placées après midi (heure du centre) seront expédiées le jour suivant, si les articles sont en stock.



Foire Aux Questions

Notre site Web met à votre disposition des FAQ visant à répondre à toutes vos questions au sujet des produits Minn Kota. Veuillez visiter le site Web minnkotamotors.com puis cliquer sur "Foire Aux Questions" pour trouver réponse à vos questions.



Appelez-Nous (Pour les états-unis et le Canada)

Nos représentants du service à la clientèle sont disponibles du lundi au vendredi, de 7 h à 16 h 30 (hnc), au 800-227-6433. Pour commander des pièces, veuillez avoir sous la main le numéro de série à 11 chiffres du produit, les numéros des pièces nécessaires et les renseignements relatifs à la carte de crédit. Vous économiserez ainsi du temps pour un service à la clientèle de qualité supérieure. Vous pouvez consulter la liste de votre manuel pour obtenir les numéros.



Envoyez-Nous un Courriel

Vous pouvez envoyer par courriel vos questions au sujet des produits minn kota à notre service à la clientèle. Pour transmettre votre question par courriel, visitez minnkotamotors.com, puis cliquez sur "Soutien".



Centres de Service Agréés

Minn Kota compte plus de 300 centres de service agréés aux États-Unis et au Canada pour acheter des pièces ou faire réparer vos produits. Veuillez consulter la page Centres de service agréés sur notre site Web pour trouver un centre de service dans votre région.



Balayez le code qr pour visiter le service en ligne Minn Kota.

DÉCLARATIONS DE CONFORMITÉ

DÉCLARATION DE CONFORMITÉ ENVIRONNEMENTALE

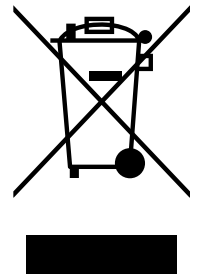
Il est dans l'intention de JOME d'être une entreprise citoyenne responsable, dont l'exploitation est conforme à la réglementation environnementale en vigueur et qui est connue pour être un bon voisin dans les collectivités où nous fabriquons ou vendons nos produits.

DIRECTIVE DEEE

La directive européenne 2002/96/CE « Directive concernant les déchets d'équipements électriques et électroniques (DEEE) » a un impact sur la plupart des distributeurs, vendeurs et fabricants d'électronique pour le grand public au sein de l'Union européenne. La directive DEEE exige que le producteur d'électronique pour le grand public prenne une part de responsabilité, en ce qui concerne la gestion des déchets de leurs produits, afin d'atteindre une élimination écologique, et ce, tout au long du cycle de vie du produit.

Il se peut que, selon votre emplacement, vous ne soyez pas tenu (e) de vous conformer à la directive DEEE pour ce qui est des équipements électriques et électroniques (EEE), et il se peut qu'il en soit de même pour les EEE conçus et destinés à être utilisés comme installations fixes ou temporaires dans les véhicules de transport tels que les voitures, les avions et les bateaux. Dans certains États de l'Union européenne, ces véhicules sont réputés ne pas relever de la directive, et les EEE, pour ces applications peuvent être considérés comme exclus de l'exigence de la directive DEEE.

Ce symbole (DEEE poubelle sur roues) sur le produit indique que ce dernier ne doit pas être jeté avec les déchets domestiques. Il doit être éliminé et collecté pour le recyclage et la récupération des DEEE. Johnson Outdoors Inc. marquera tous les produits EEE en conformité avec la directive DEEE. C'est notre but de nous conformer à la collecte, au traitement, à la récupération et à l'élimination écologique judicieuse de ces produits, mais ces exigences varient au sein des différents États membres de l'Union européenne. Pour de l'information supplémentaire sur l'endroit où vous pouvez éliminer les équipements usagés pour leur recyclage et leur récupération et/ou ou selon les exigences particulières de l'État membre de l'Union européenne, veuillez communiquer avec le détaillant ou le distributeur duquel vous avez acheté le produit.



ÉLIMINATION

Les moteurs Minn Kota ne sont pas soumis à la réglementation concernant l'élimination VGE-VO (directive pour les dispositifs électriques), qui transpose la directive DEEE. Néanmoins, ne jamais jeter le moteur Minn Kota dans une poubelle, mais plutôt à l'endroit approprié où s'effectue la collecte, recommandé par le conseil municipal local.

Ne jamais jeter aucune batterie à la poubelle. Se conformer aux directives d'élimination du fabricant ou de son représentant et la jeter à l'endroit approprié où s'effectue la collecte, recommandé par le conseil municipal local.

WARNING

Ce produit contient des produits chimiques reconnus par l'État de la Californie comme causant le cancer, des anomalies congénitales ou d'autres effets nocifs sur la reproduction.

INFORMATIONS DE CONFORMITÉ RÉGLEMENTAIRE

Moteurs Équipés de i-Pilot

Pour des informations réglementaires sur les moteurs ayant un i-Pilot installé en usine, veuillez vous reporter au manuel en ligne i-Pilot sur minnkotamotors.com.

Moteurs Équipés de i-Pilot Link

Pour des informations réglementaires sur les moteurs ayant un i-Pilot Link installé en usine, veuillez vous reporter au manuel en ligne i-Pilot Link sur minnkotamotors.com.

INFORMATIONS DE CONFORMITÉ RÉGLEMENTAIRE

Modèle: CoPilot

- IC: 4397A-M05COPLT
- FCC ID: M05COPLT



CONFORMITÉ FCC

Cet appareil est conforme à la section 15 des règles de la FCC.

Son fonctionnement est soumis aux deux conditions suivantes :

1. Ce dispositif ne doit pas causer d'interférences nuisibles.
2. Cet appareil doit accepter toute interférence qui peut être reçue, y compris les interférences susceptibles de perturber son fonctionnement.

Les changements ou modifications non expressément approuvés par Johnson Outdoors Marine Electronics, Inc. peuvent annuler le droit d'utilisation de cet équipement accordé à l'utilisateur.

Remarque : Cet équipement a été testé et s'est avéré conforme aux limites pour un appareil numérique de classe B, conformément à la section 15 des règles de la FCC. Ces limites sont conçues pour fournir une protection raisonnable contre les interférences nuisibles dans une installation résidentielle. Cet équipement génère, utilise et peut émettre des fréquences radio et, s'il n'est pas installé et utilisé conformément aux instructions, peut causer des interférences nuisibles pour les communications radio. Il n'existe cependant aucune garantie que des interférences ne se produiront pas dans une installation donnée. Si cet équipement provoque des interférences nuisibles à la réception radio ou télévision, ce qui peut être déterminé en l'éteignant et en le rallumant, l'utilisateur est encouragé à essayer de corriger l'interférence par une ou plusieurs des mesures suivantes:

- Réorienter ou déplacer l'antenne de réception.
- Augmenter la distance entre l'équipement et le récepteur.
- Connecter l'équipement à une sortie sur un circuit différent de celui sur lequel est branché le récepteur.
- Consulter le revendeur ou un technicien radio/TV expérimenté.

CONFORMITÉ AUX NORMES D'INDUSTRIE CANADA

Ce produit est conforme aux spécifications techniques applicables d'Industrie Canada. Son fonctionnement est soumis aux deux conditions suivantes: (1) cet appareil ne peut causer d'interférences et (2) il doit tolérer toute interférence, même celle pouvant causer un fonctionnement indésirable de l'appareil.

Les changements ou les modifications non expressément approuvés par Johnson Outdoors Marine Electronics, Inc. peuvent annuler l'autorisation de l'utilisateur de faire fonctionner cet équipement.

COTES ENVIRONNEMENTALES

Température ambiante de fonctionnement : -10 à 50 °C
Humidité ambiante de fonctionnement : 5 à 95 %
Altitude maximale de fonctionnement : 10 000 pieds (3 048 mètres)

SCHÉMA DES PIÈCES ET LISTE DES PIÈCES

RIPTIDE TERROVA

POUSSÉE DE 55/80/112 LB (24,9/36,2/50,8 KG) - 12/24/36 VOLTS - ARBRE DE 54/60/72 PO (137,1/152,4/182,9 CM)

Ce schéma des pièces et cette liste des pièces fournissent les directives pour la dépose de Minn Kota® en conformité avec la directive DEEE. Pour de l'information supplémentaire sur l'endroit où vous pouvez éliminer les équipements usagés pour leur recyclage et leur récupération et/ou selon les exigences particulières de l'État membre de l'Union européenne, veuillez communiquer avec le détaillant ou le distributeur duquel vous avez acheté le produit. Outils requis, entre autres : tournevis à tête plate, tournevis cruciforme, jeu de douilles, pinces, cisailles.

MOTEUR RIPTIDE TERROVA

Schéma des Pièces du Moteur

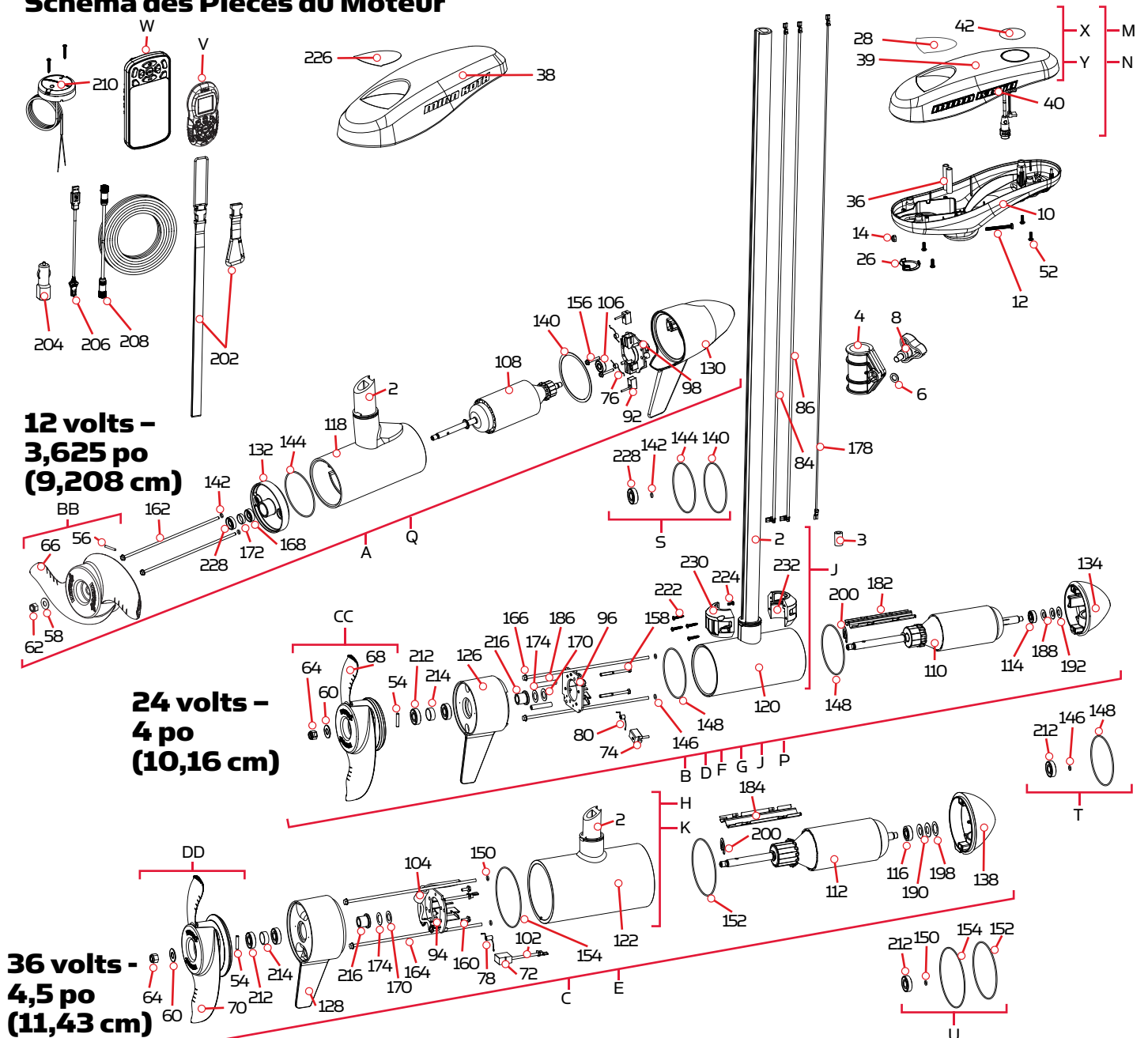


SCHÉMA DES PIÈCES ET LISTE DES PIÈCES

Liste des Pièces du Moteur

Ensemble	Nº de Pièce	Description	Quantité
A	2779034	MTR/TUBE ASM 55# 54" RT TRV BT *MOTOR & TUBE* *54* *3.625*	1
B	2777034	MTR/TUBE ASM 80# 54" TRV BT *MOTOR & TUBE* *54* *4*	1
C	2777083	MTR/TUBE 112# 60" RT TRV BT *MOTOR & TUBE* *60* *4.5*	1
D	2777036	MTR/TUBE ASM 80# 60" RT TRV BT *MOTOR & TUBE* *60* *4*	1
E	2777084	MTR/TUBE 112# 72" RT TRV BT *MOTOR & TUBE* *72* *4.5*	1
F	2777035	MTR/TUBE ASM 80# 54" TRV-M BT *MOTOR & TUBE* *54* *4* *EUROPE ONLY*	1
G	2777037	MTR/TUBE 80# 60" RT TRV-M BT *MOTOR & TUBE* *60* *4* *EUROPE ONLY*	1
P	2777042	MTR/TUBE ASM 80# 72" *MOTOR & TUBE* *72* *4* *EUROPE ONLY*	1
Q	2779036	MTR/TUBE ASM 55# 60" *MOTOR & TUBE* *60* *3.625* *EUROPE ONLY*	1
H	2777343	CTR HSG,CB,112#,SW, UP TO 60" *TUBE* *4.5*	1
J	2777398	CTR HSG,CB,80#,SW, UP TO 60" *TUBE* *4*	1
K	2777344	CTR HSG,CB,112#,SW, 72" TUBE *TUBE* *4.5*	1
M	2774051 ♦	MOTOR KIT, iPLT 1.6 RT TERROVA *I-PILOT RECEIVER*	1
N	2774068 ♦	MOTOR KIT, iPLT 3.0 RT TERROVA *I-PILOT LINK RECEIVER*	1
BB	1378131	PROP IND 2091160 WDLS WDG II *3.625* *55LB THRUST*	1
CC	1378160	PROP KIT 2341160 112# WW2 *4.5* *112LB THRUST*	1
DD	1378132	PROP IND 233160 WDLS WDG II *4* *80LB THRUST*	1
S	2888460	SEAL & O-RING KIT *55LB THRUST* *3.625*	1
T	2889460	SEAL & O-RING KIT *80LB THRUST* *4*	1
U	2881450	SEAL & O-RING KIT *112LB THRUST* *4.5*	1
V	2994075 ♦	REMOTE ASSY, IPILOT 1.6	1
W	2994076 ♦	REMOTE ASSY, IPILOT LINK *LINK ONLY*	1
X	2770207 ♦	COVER KIT, iPLT 1.6 RT TERROVA *I-PILOT COVER & DECALS ONLY*	1
Y	2770212 ♦	COVER KIT, iPLT 3.0 RT TERROVA *I-PILOT LINK COVER AND DECALS ONLY*	1
Nº d'Article	Nº de Pièce	Description	Quantité
2	✘	TUBE-COMP,WHT,72",1/4" WALL,T2	1
	✘	TUBE-COMP,WHT,54",1/4" WALL,T2	1
	✘	TUBE-COMP,WHT,60",1/4" WALL,T2	1
	✘	TUBE-COMP,WHT,54",1/4", "M",T2	1
	✘	TUBE-COMP,WHT,60",1/4", "M",T2	1
	✘	TUBE-COMP,WHT,72",1/4", "M",T2	1
3	2307312	BEAD-FERRITE *M SKU* *EUROPE ONLY*	1
▲	✘	SEAL,BUNG LOWER	1
▲	✘	SEAL,BUNG UPPER,FW	1
4	2321505	DEPTH COLLAR, LIFT ASSIST	1
6	2321702	WASHER-FLAT .375 NYLON	1

✘ Cette pièce est incluse dans un ensemble et ne peut pas être commandée individuellement.

▲ N'est pas montrée sur le schéma des pièces.

♦ Peut ne pas être disponible avec i-Pilot ou i-Pilot Link.

SCHÉMA DES PIÈCES ET LISTE DES PIÈCES

N° d'Article	N° de Pièce	Description	Quantité
8	2260906	KNOB-SOFT GRIP,HG/DR,SS	1
10	2292501	CONTROL BOX, SW ST	1
12	2332102	SCREW-#10-24 X 1-3/4 PPH SS	1
14	2333101	NUT-HEX #10-24 UNC-2B NYL SS	1
▲	2256300	TIE WRAP-5.5" BLACK	2
26	2224705	INSERT-PLUG, WHT, I PILOT*SMALL HOLE* *i-PILOT*	1
	2224703	INSERT-PLUG, PD/AP WHITE *NO HOLE*	1
28	✘	DECAL-GENERIC, PUSH BTN TOP SW	1
▲	9950433	TIE WRAP-4" BLACK	2
36	2305402	SHRINK TUBE-.374 OD X 2.25"	2
38	2290206	COVER,CTRL BOX, SW *AUTOPILOT*	1
39	2292501	CONTROL BOX, SW ST	1
40	2325613	DECAL,CTRL BOX SIDE BT SW	2
42	✘	DECAL, DOMED IPILOT SW	1
	✘	DECAL, DOMED, iPILOT LINK SW	
52	2372100	SCREW-#8-18 X 5/8 THD (SS)	7
54	2092600	PIN-DRIVE 1.06" LG (SS) *80LB THRUST* *4* *112LB THRUST* *4.5*	1
56	2262658	PIN-DRIVE 1" X 3/16" S/S *55LB THRUST* *3.625*	1
58	2151726	WASHER-5/16 STD (S/S) *55LB THRUST* *3.625*	1
60	2091701	WASHER-PROP (LARGE) *80LB THRUST* *4* *112LB THRUST* *4.5*	1
62	2198400	ANODES, ZINC, 3.25/3.62" LWR UNT *55LB THRUST* *3.625*	1
64	2198401	ANODES, ZINC, 4.0"LWR UNIT *80LB THRUST* *4* *112LB THRUST* *4.5*	1
66	2091160	PROP-WW2 (3-5/8") REAMED *55LB THRUST* *3.625*	1
68	2341160	PROP-WW2 (4.5) w/ADP.RING *112LB THRUST* *4.5*	1
70	2331160	PROP-WW2 (4") w/ADP.RING *80LB THRUST* *4*	1
72	188-095	BRUSH *4.5* *112LB THRUST*	2
74	188-094	BRUSH W/TERMINAL *4* *80LB THRUST*	2
76	975-040	SPRING - TORSION *3.625* *55LB THRUST*	2
78	975-045	SPRING - TORSION *4.5* *112 LB THRUST*	2
80	975-041	SPRING - TORSION *4* *80LB THRUST*	2
▲	✘	RIVET - .25" *4* *80LB THRUST* *4.5* *112LB THRUST*	6
84	640-126	LEADWIRE RED 10AWG 71" XLP	1
	640-145	LEADWIRE RED 10AWG 75 7/8" GPT	1
	640-151	LEADWIRE RED 10 AWG 70.375 GPT	1
	640-149	LEADWIRE RED 10AWG 88" GPT	1
	640-133	LEADWIRE RED 10AWG 66-1/4 XLP	1

✘ Cette pièce est incluse dans un ensemble et ne peut pas être commandée individuellement.

▲ N'est pas montrée sur le schéma des pièces.

◆ Peut ne pas être disponible avec i-Pilot ou i-Pilot Link.

SCHÉMA DES PIÈCES ET LISTE DES PIÈCES

N° d'Article	N° de Pièce	Description	Quantité
86	640-049	LEADWIRE BLK 10AWG 88,50" GPT	1
	640-023	LEADWIRE BLK 10 AWG 69" GPT	1
	640-045	LEADWIRE BLK 10 AWG 76,5 GPT	1
	640-025	LEADWIRE BLK 10 AWG 66 3/4 XLP	1
	640-022	LEADWIRE BLK 10 AWG 72,5 XLP	1
▲	✘	BRUSH HOLDER *4* *80LB THRUST*	2
▲	✘	BRUSH HOLDER *4.5* *112LB THRUST*	2
92	188-036	BRUSH ASSEMBLY *3.625* *55LB THRUST*	2
94	9-738-011	BRUSH PLATE *4.5* *112LB THRUST*	1
96	9-738-004	BRUSH PLATE 4" TERMINAL *4* *80LB THRUST*	1
98	738-036	BRUSH PLATE WITH HOLDER 3.625 *3.625* *55LB THURST*	1
▲	2260730	CONNECTOR 1/4 MALE TAB QD *4* *80LB THRUST*	2
102	2260731	TERMINAL 1/4" MALE TAB-THREE *4.5* *112LB THRUST*	2
104	2307312	BEAD-FERRITE *4.5* *112LB THRUST*	1
106	725-050	PAPER TUBE - BRUSH RETENTION *3.625* *55LB THRUST*	1
108	2-100-146	ARM ASY 12V 3.62 55#CB/LS *55LB THRUST* *3.625*	1
110	2-100-214	ARM ASSY 24V 4" 80# (WW2) *80LB THRUST* *4.0*	1
112	2-100-245	ARMATURE ASY 4.5"LWR UNIT *112LB THRUST* *4.5*	1
114	140-010	BEARING - BALL *55LB THRUST* *3.625* *80LB THRUST* *4.0*	1
116	140-014	BEARING-BALL 6000 *112LB THRUST* *4.5*	1
118	✘	CTR HSG ASY 3.6 SW/CB/W-MG *55LB THRUST* *3.625*	1
120	✘	CTR HSG ASM 4.0" SW CB MGNTZD *80LB THRUST* *4.0*	1
122	✘	CTR HSG ASY 4.5" MAG FW CB *112LB THRUST* *4.5*	1
126	2-300-370	BRUSH END HSG ASY SW/W 4.0 *80LB THRUST* *4.0*	1
128	2-300-156	BRUSH END HSG ASY 4.5" SW *112LB THRUST* *4.5*	1
130	421-350	HSG BRSH END 3.62 SW CB/WHITE *55LB THRUST* *3.625*	1
132	2-400-337A	PLAIN END HSG ASY 3.6 TX/W *55LB THRUST* *3.625*	1
134	421-376	HSG PLN END 4" SW WHT BS *80LB THRUST* *4.0*	1
138	421-241	PLAIN END HSG 4.5" PNTD SW *112LB THRUST* *4.5*	1
140	337-036	GASKET *55LB THRUST* *3.625*	1
142	701-008	O-RING *55LB THRUST* *3.625*	2
144	701-081	O-RING *55LB THRUST* *3.625*	1
146	701-009	O-RING *80LB THRUST* *4.0*	2
148	701-043	O-RING *80LB THRUST* *4.0*	2
150	701-009	O-RING *112LB THRUST* *4.5*	2
152	701-098	O-RING, 98MM X 2MM *112LB THRUST* *4.5*	1
154	701-103	O-RING,103MM X 3.00MM, 70 BUNA *112LB THRUST* *4.5*	1
156	830-007	SCREW, # 8-32 *55LB THRUST* *3.625*	2

✘ Cette pièce est incluse dans un ensemble et ne peut pas être commandée individuellement.

▲ N'est pas montrée sur le schéma des pièces.

◆ Peut ne pas être disponible avec i-Pilot ou i-Pilot Link.

SCHÉMA DES PIÈCES ET LISTE DES PIÈCES

N° d'Article	N° de Pièce	Description	Quantité
158	830-027	SCREW - SELF-THREAD 10-32X2.25 *80LB THRUST* *4.0*	2
160	2053410	SCREW-#8-32 X 1/2 TRI-LOBE HEX *112LB THRUST* *4.5*	2
162	830-008	THRU BOLT 10-32 x 9.205 *55LB THRUST* *3.625*	2
164	830-094	THRU BOLT 12-24 X10.31 *80LB THRUST* *4.0* *112LB THRUST* *4.5*	2
166	830-094	THRU BOLT 12-24 x 10.31 *80LB THRUST* *4.0*	2
168	990-067	WASHER - STEEL THRUST *55LB THRUST* *3.625*	1
170	990-051	WASHER - STEEL THRUST *80LB THRUST* *4.0* *112LB THRUST* *4.5*	1
172	990-070	WASHER - NYLATRON *55LB THRUST* *3.625*	1
174	990-052	WASHER - NYLATRON *80LB THRUST* *4.0* *112LB THRUST* *4.5*	1
182	582-013	CLIP, RETAINING SHORT *80LB THRUST* *4.0*	1
184	582-016	CLIP-RETAINING, SONAR *112LB THRUST* *4.5*	1
186	973-025	SPACER - BRUSHPLATE *80LB THRUST* *4.0*	2
188	992-010	WASHER - BELLEVILLE *80LB THRUST* *4.0*	2
190	992-011	WASHER - BELLEVILLE *112LB THRUST* *4.5*	2
192	990-045	SPACER - THRUST *80LB THRUST* *4.0*	1
198	990-011	WASHER-SHIM OD 1",ID.630"SS *112LB THRUST* *4.5*	1
200	788-040	RETAINING RING	1
202	2390800 ♦	LANYARD, REMOTE W/ CARABINER	1
204	2375901 ♦	ADAPTER, USB DC POWER *LINK ONLY*	1
206	2373241 ♦	CABLE, USB REMOTE CHARGER *LINK ONLY*	1
208	490389-1 ♦	CABLE, ETHERNET, 30' * LINK ONLY*	1
210	2996400	HEADING SENSOR ASSEMBLY	1
212	880-025	SEAL	2
214	725-095	PAPER TUBE, SEAL	1
216	144-017	BEARING, FLANGE	1
222	3393450	SCREW-#6-19 X.75 PPH HI-LOW SS	4
224	2372103	SCREW #6 X .375 PLASTITE SS	1
226	2325617	DECAL, COVER, RT, T2 80 *80LB THRUST* *COPILOT*	1
228	788-015	RETAINING RING *3.625*	1
230	2321521	COLLAR-FRONT, LIFT ASSIST, SW	1
232	2321526	COLLAR-BACK, LIFT ASSIST, SW	1

✘ Cette pièce est incluse dans un ensemble et ne peut pas être commandée individuellement.

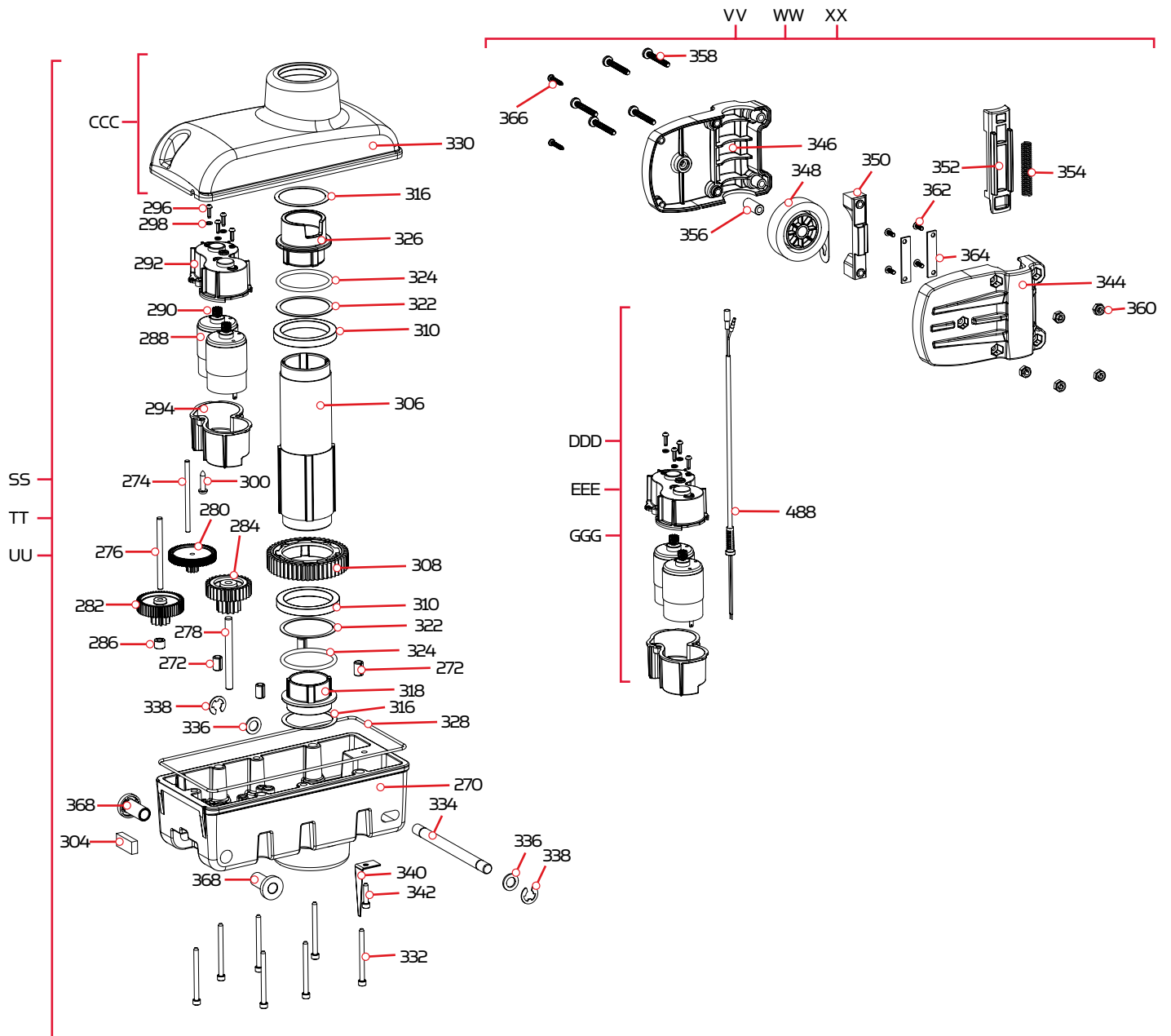
▲ N'est pas montrée sur le schéma des pièces.

♦ Peut ne pas être disponible avec i-Pilot ou i-Pilot Link.

SCHÉMA DES PIÈCES ET LISTE DES PIÈCES

BOÎTIER DU GOUVERNAIL RIPTIDE TERROVA

Schéma des Pièces du Boîtier de Direction



Liste des Pièces du Boîtier de Direction

Ensemble	Nº de Pièce	Description	Quantité
SS	2997064	STEERING HSG ASM 12V SW	1
TT	2997065	STEERING HSG ASM 24V SW	1
UU	2997063	STEERING HSG ASM 36V SW	1
VV	2992730	LIFT ASSIST, 55# SW	1
WW	2992731	LIFT ASSIST, 80# SW	1
XX	2992732	LIFT ASSIST, 112# SW	1
CCC	2776562	STEERING HSG TOP SW / GEAR KIT	1
DDD	2777060	STEERING MOTOR KIT, 12V T2	1
EEE	2777061	STEERING MOTOR KIT, 24V T2	1
GGG	2777063	STEERING MOTOR KIT, 36V SW T2 *DUAL MOTOR*	1
Nº d'Article	Nº de Pièce	Description	Quantité
270	2326507	STEERING HSG,BTTM,SW,WHT	1
272	✘	PIN-ROLL 5/16" X 1/2"	4
274	✘	SHAFT-GEAR, FIRST CLUSTER	1
276	✘	SHAFT-GEAR,INTERMED.CLUSTER	1
278	✘	SHAFT-GEAR, THIRD CLUSTER	1
280	2302245	GEAR & PINION,DR. HSG, STAGE 2	1
282	2302250	GEAR & PINION,DR. HSG, STAGE 3	1
284	2302255	GEAR & PINION,DR. HSG, STAGE 4	1
286	2321730	SPACER,GEAR CLUSTER	1
288	✘	MOTOR, STEERING 12V FW T2	1
	✘	MOTOR, STEERING 24V FW T2	1
	✘	MOTOR, STEERING 36V FW T2	2
290	2302240	PINION GEAR, DR.HSG, STAGE 1	1
292	2322520	CASE-MOTOR,STRG HSG, TOP *12 VOLT* *24 VOLT*	1
	2322521	CASE-MTR, STEER HSG, TOP w/HOLES *36 VOLT*	1
294	2322525	CASE-MOTOR,STRG HSG,BTM	1
296	2372103	SCREW-X6 X 3/75 PLASTITE SS	4
298	2051710	SPLIT LOCK WASHER 3MM	4
300	2043412	SCREW-#8-18 X 3/4 TY AB SS PPH	1
302	2320605	LEADWIRE,STEERING MOTOR	1
304	2308601	BREATHER FILTER, DR.HOUSING	1
306	2322031	TUBE-OUTPUT, SALTWATER	1
308	2322200	GEAR-OUTPUT	1
310	2327315	BUSHING,ALUMIN. SPACER ST	2
316	2321704	WASHER-THRUST, STEERING	2

✘ Cette pièce est incluse dans un ensemble et ne peut pas être commandée individuellement.

▲ N'est pas montrée sur le schéma des pièces.

◆ Peut ne pas être disponible avec i-Pilot ou i-Pilot Link.

SCHÉMA DES PIÈCES ET LISTE DES PIÈCES

N° d'Article	N° de Pièce	Description	Quantité
318	2321510	COLLAR-DRIVE,BOTTOM	1
322	2321720	SHIM,O-RING	2
324	2324608	O-RING,224, STR HSG	2
326	2321530	LINER OUTPUT TUBE, LIFT ASSIST	1
328	2324604	O-RING, CASE SEAL	1
330	✘	HOUSING-STEERING, TOP, SW	1
332	2323408	SCREW-#8-32 X 2.0 SHCS SS	7
334	2322601	PIN-LATCH, SS	1
336	2321702	WASHER-FLAT .375 NYLON	2
338	2263011	E-RING 3/8 DIA. SHAFT	2
340	2322702	SPRING, LATCH PIN SS	2
342	2323410	SCREW-#8-32 X .75 SHCS SS	1
344	2326546	HOUSING-RIGHT,LIFT ASSIST, SW	1
346	2326541	HOUSING-LEFT, LIFT ASSIST, SW	1
348	2997903	ASSEMBLY-HUB/SPRING, 55# INCNL	1
	2997904	ASSEMBLY-HUB/SPRING, 80# INCNL	1
	2997905	ASM-HUB/SPRING,112# INCN	1
350	2322300	GUIDE,DR.DOG, LIFT ASSIST	1
352	2328605	ENGAGEMENT DOG, LIFT ASST	1
354	2322725	SPRING,COMPRESSION,.360" OD SS	1
356	2322610	PIN-AXLE, LIFT ASSIST	1
358	2323430	SCREW-#10-24 X 1-3/8, PPH	5
360	2333101	NUT-HEX #10-24 UNC-2B NYL SS	5
362	2372103	SCREW-#6 X .375 PLASTITE SS	4
364	2321955	BRACKET, LIFT ASSIST	2
366	3393450	SCREW-#6-19 X .75 PPH HI-LO	2
368	2327310	BUSHING, PIVOT PIN	2
370	2327314	BUSHING, PRO STEERING SW	2
488	✘	LEADWIRE, STEERING MOTOR	1

✘ Cette pièce est incluse dans un ensemble et ne peut pas être commandée individuellement.

▲ N'est pas montrée sur le schéma des pièces.

◆ Peut ne pas être disponible avec i-Pilot ou i-Pilot Link.

SUPPORT RIPTIDE TERROVA

Schéma des Pièces du Support

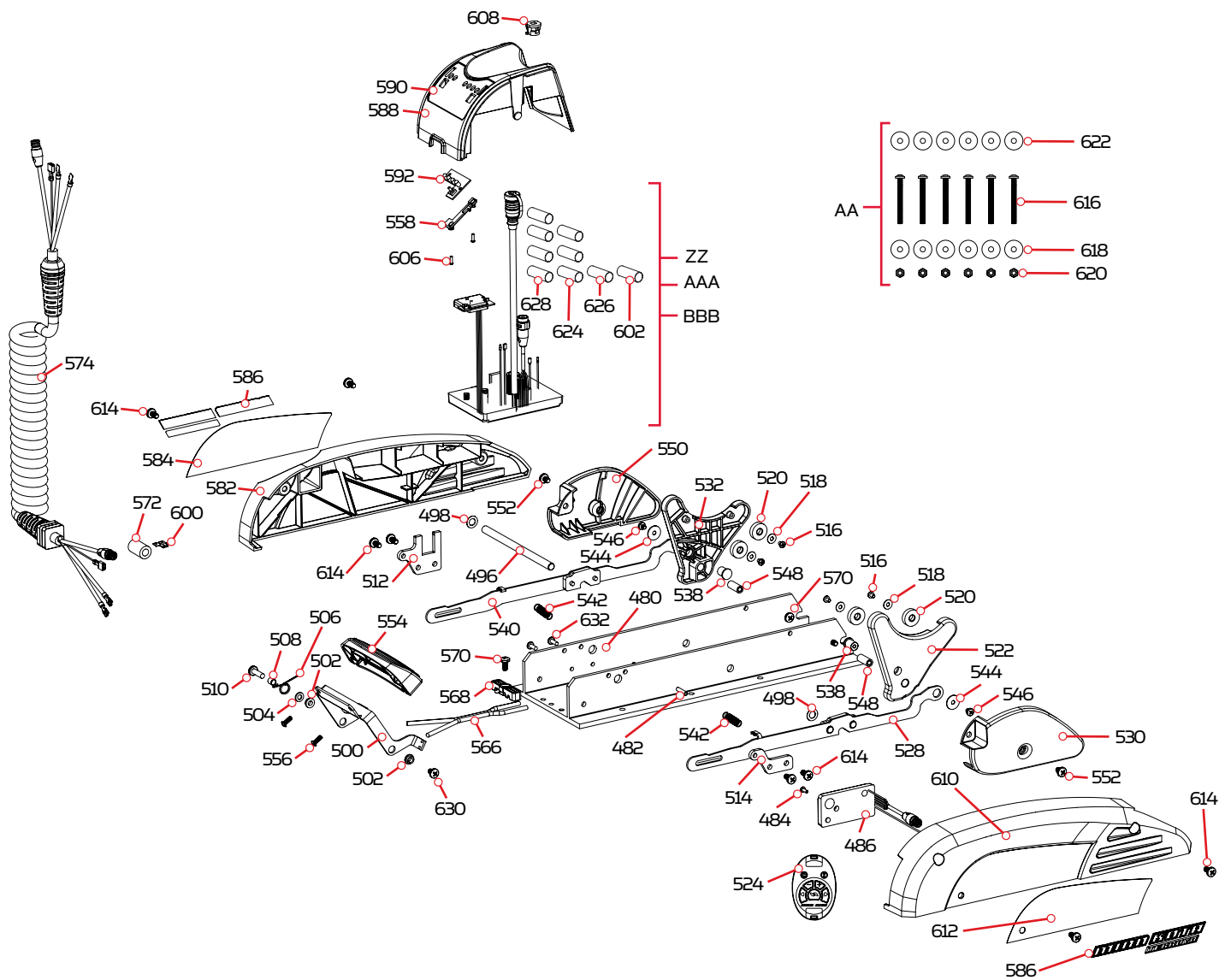


SCHÉMA DES PIÈCES ET LISTE DES PIÈCES

Liste des Pièces du Support

Ensemble	Nº de Pièce	Description	Quantité
ZZ	2774066	CTRL BRD, 24/36V TRV BT w/SHRNK	1
AAA	2774067	CTRL BRD, 12V TRV BT w/SHRNK *i-PILOT/i-PILOT LINK*	1
BBB	2774069	CTRL, BRD, 24/36V IP TRV BT, SHRNK *i-PILOT/i-PILOT LINK*	1
AA	2994864	BAG ASSY-TERROVA/V2,MNTG HDW	1
Nº d'Article	Nº de Pièce	Description	Quantité
480	2321908	BASE-EXTRUSION, MACH, SW	1
482	2322912	PIN-ROLL .1875 X 1.000 SS	2
484	2332103	SCREW-#8-18 X 1/2 (SS) *COPILOT*	1
486	2374197	PCB ASY COPLT REC. TERROVA *COPILOT*	1
▲	2325501	DECAL, STOW / DEPLOY, T2	1
496	2322603	PIN-PIVOT, SS	1
498	2333100	NUT-SPEED (SS) 3HP-SS	2
500	2320406	HANDLE, RELEASE, SW	1
502	2322604	BUSHING,HANDLE,GOBEIL	2
504	2071716	WASHER-FLAT SS .253 x .470	1
506	2322701	SPRING, TORSION	1
508	2301700	SPACER-RELEASE LEVER-BRASS	1
510	2073408	SCREW-1/4-20 X 7/8 PPH S/S	1
512	2321941	BRACKET, STRAIN RELIEF SW	1
514	2321951	BRACKET, SIDEPLATE SW	1
516	2323412	SCREW-#8-18 X .25 PPH SS TY B	4
518	2321706	WASHER-FLAT #8 .50 OD/.188 SS	4
520	2325117	PAD, RUBBER REST, WHITE	4
522	2323910	RAMP-MOTOR, RIGHT 3-5/8"	1
	2323931	RAMP-MOTOR, RIGHT 4.5"	1
	2323930	RAMP-MOTOR, RIGHT 4"	1
524	2994095	TRANSMITTER ASY,TRRV CPLT *COPILOT*	1
528	2994201	ARM/SUPPORT BLOCK ASSY,R,SW	1
530	2321922	PLATE-SKID, RIGHT	1
532	2323915	RAMP-MOTOR, LEFT 3 5/8"	1
	2323935	RAMP-MOTOR, LEFT 4"	1
	2323936	RAMP-MOTOR, LEFT 4.5"	1
538	2324706	INSERT-MOTOR RAMP,METAL,SS	2
540	2994203	ARM/SUPPORT BLOCK ASSY,L,SW	1

✘ Cette pièce est incluse dans un ensemble et ne peut pas être commandée individuellement.

▲ N'est pas montrée sur le schéma des pièces.

◆ Peut ne pas être disponible avec i-Pilot ou i-Pilot Link.

SCHÉMA DES PIÈCES ET LISTE DES PIÈCES

N° d'Article	N° de Pièce	Description	Quantité
542	2322716	SPRING, EXTENSION, T2	2
544	2321700	WASHER #10 SS	2
546	2323422	SCREW-#10-24 X .25" PPH SS MCH	2
548	2322921	STAND-OFF, ALUM. ANODIZED	2
550	2321927	PLATE-SKID, LEFT	1
552	2323403	SCREW-1/4-20 X.375 MCH SS CRPH	3
554	2320218	COVER, HANDLE COSMETIC SW	1
556	2383446	SCREW-#8-16 X .50" PLASTITE SS	2
558	2320830	LOCKING TAB,PWR/BAT.METER	1
560	2383428	SCREW-#4-24 X 3/8 HI-LO SS	2
562	2320202	CAP-DUST,CONNECTOR, MALE	1
▲	2323406	SCREW-#10-24 X .50 CRPH SS	2
566	2090651	LEADWIRE,10 GA	1
568	2321310	STRAIN RELIEF	1
570	2323405	SCREW-1/4-20 X 1/2" MCH SS	3
572	2307312	BEAD-FERRITE	1
574	2991271	COIL CORD ASY 54"/60" NON-US2	1
582	2323926	SIDEPLATE-LEFT, RT/ST	1
584	2325646	DECAL,MTR REST,T2/ST LEFT	1
586	2205512	DECAL,SIDEPLATE,SW ULTERRA,T2	2
588	2326531	HOUSING-CENTER, RT/ST	1
590	2325653	DECAL,BM/CN/PWR STATUS SW	1
592	2074082	BATTERY METER, 36V, SW	1
	2074081	BATTERY METER, 24V, SW	1
	2074080	BATTERY METER, 12V, SW	1
▲	2321721	SHIM, 2 X 4 X .025"	1
600	2320710	TERMINAL-AMP (T-TAB)	1
602	2325401	SHRINK TUBE-3/4 ID X 2" W/ADHS	1
▲	2321315	HOLDER-CONNECTOR,NYLON,BLACK	1
606	2332103	SCREW-#6-20 X 3/8 THD*(SS)	2
608	2322901	STRAIN RELIEF, HEYCO P/N 1852	1
610	2323921	SIDEPLATE-RIGHT, RT/ST	1
612	2325645	DECAL,MOTOR REST,RIPTIDE,RIGHT	1
614	2323405	SCREW-1/4-20 X 1/2" T-L SS	8
616	2263462	SCREW-1/4-20 X 2" S/S PPH ADJT	6
618	2261713	WASHER-1/4 FLAT 18-8 SS	6
620	2263103	NUT-1/4-20 NYLOCK SS	6

✘ Cette pièce est incluse dans un ensemble et ne peut pas être commandée individuellement.

▲ N'est pas montrée sur le schéma des pièces.

◆ Peut ne pas être disponible avec i-Pilot ou i-Pilot Link.

SCHÉMA DES PIÈCES ET LISTE DES PIÈCES

N° d'Article	N° de Pièce	Description	Quantité
622	2301720	WASHER-MOUNTING - RUBBER	6
624	2305410	SHRINK TUBE-.315 OD X 2.25" *SALTWATER*	3
626	2305415	SHRINK TUBE-.472 ID X 2.25" *SALTWATER*	1
628	2305403	SHRINK TUBE-.500 IDX1.0" ADHSV *SALTWATER*	4
630	2332104	SCREW-1/4-20 X 5/8 S/S	1
632	2323402	SCREW-1/4-20 X .375 T-L, ZP	2

✘ Cette pièce est incluse dans un ensemble et ne peut pas être commandée individuellement.

▲ N'est pas montrée sur le schéma des pièces.

◆ Peut ne pas être disponible avec i-Pilot ou i-Pilot Link.

ACCESSOIRES RECOMMANDÉS

CHARGEURS DE BATTERIE EMBARQUÉS ET PORTATIFS

Ne plus acheter de nouvelles batteries et commencer à prendre soin de celles déjà en votre possession.

Plusieurs chargeurs peuvent en fait endommager les batteries à la longue, pouvant entraîner une autonomie réduite et une durée de vie plus courte. Les chargeurs Minn Kota à commande numérique assurent une charge rapide pour une protection et une durée de vie prolongée.



MK212PC



MK210D



MK110P

ANCRE POUR EAUX PEU PROFONDES TALON

Les ancrs Talon se déploient rapidement, ont une force de retenue plus élevée et sont plus silencieuses que tout autre ancre pour eaux peu profondes. Offerts en profondeurs allant jusqu'à 12 pi (3,66 m) et en options de couleurs vives, elles comportent plusieurs fonctionnalités et innovations uniques dans le domaine:



- Déploiement Vertical en Plusieurs Étapes
- Modes D'ancrage Pouvant être Sélectionnés par L'utilisateur
- 2x la Force d'ancrage
- Déploiement Rapide
- Descente/Montée Automatique
- Triple Protection Contre les Débris
- Amortisseur Automatique de Vague Intégré
- Dissipation de Bruit
- Réglages Polyvalents

ACCESSOIRES MINN KOTA

Nous offrons un large éventail d'accessoires pour les propulseurs électriques, y compris:



- Un Disjoncteur de 60 A
- Des Supports de Montage
- Des Ensembles Stabilisateur
- Des Rallonges de Poignée
- Des connecteurs de batterie
- Bacs à Batterie
- Des fiches de connexion rapide

Pour la liste complète des accessoires Minn Kota, veuillez visiter le site Web minnkotamotors.com

Suivez-nous:    



minnkotamotors.com

Minn Kota Consumer & Technical Service
Johnson Outdoors Marine Electronics, Inc.
PO Box 8129
Mankato, MN 56001

121 Power Drive
Mankato, MN 56001
Phone (800) 227-6433
Fax (800) 527-4464



©2016 Johnson Outdoors Marine Electronics, Inc.
All rights reserved.