

# FURUNO®

High-Performance 2.2 kW transceiver in a 15" radome

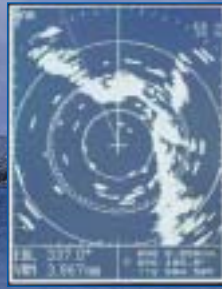
## 6" LCD RADAR

### MODEL 1623

- High Contrast 6" Silver Bright LCD
- 13 range scales from 0.125 to 16 nm
- Optional GPS/DGPS/WAAS navigator shows waypoint position with "lollipop mark"
- Low power consumption 8 Watts in Watchman mode
- Reverse video feature for effective use at night
- Improved short range target detection by using narrower pulselengths and dual IF bandwidths
- Zoom window for close observation of a specific area
- Guard Zone Alarm (US Patent No.5032842)



Zoom



Reverse



NAV data



NAV data



The future today with FURUNO's electronics technology.

**FURUNO ELECTRIC CO., LTD.**

9-52 Ashihara-cho, Nishinomiya City, Japan Phone: +81 (0)798 65-2111  
Fax: +81 (0)798 65-4200, 66-4622 URL: www.furuno.co.jp

Catalogue No. R-182c

TRADE MARK REGISTERED  
MARCA REGISTRADA

The MODEL 1623 is a high contrast LCD radar designed for pleasure craft and small fishing boats. Radar echoes are presented in four shades of gray on the 6" Silver Bright LCD. The Radar offers detailed pictures of coastline and targets at short ranges thanks to narrower pulselengths and dual IF bandwidths. The waterproof display makes it ideal for flybridge installation.

Standard features include EBLs (Electronic Bearing Line), EVRMs (Electronic Variable Range Marker), TLL output (Target Latitude and Longitude), Cursor L/L input/output, Echo Trail, Guard Zone Alarm, Anti Clutter Rain, Automatic control of tuning and sensitivity. These features ensure optimum performance in detecting and ranging targets of interest.

The operator can select from Normal, Off-center, Zoom, and Watchman mode. In the Watchman mode, the antenna is stopped and the transmission is off, while the screen displays nav data only. The radar wakes up at a specified time interval (5, 10 or 20 min) and operates for a minute. If a target enters the Guard Zone, an audible alarm sounds and the radar goes into its normal operating mode, cancelling the Watchman mode. The alarm may also be set to work for a target leaving the Zone.

You can see a Waypoint on the high contrast LCD screen when the radar is connected with an optional GPS Navigator. The Waypoint is indicated by a lollipop mark for easy identification and location.

## SPECIFICATIONS OF MODEL 1623

### ANTENNA

|                       |  |
|-----------------------|--|
| <b>Type</b>           | Microstrip radiator enclosed in ø380 mm radome                         |
| <b>Beamwidth</b>      | Hor. 6.2°, Vert. 25°   |
| <b>Rotation Speed</b> | 41 rpm (0.125 to 0.75 nm)<br>31 rpm (1 to 2 nm)<br>24 rpm (3 to 16 nm) |

### RF TRANSCEIVER

|                                       |  |
|---------------------------------------|--|
| <b>Frequency</b>                      | 9410±30 MHz (X-band)   |
| <b>Pulselength &amp; PRR</b>          | 0.08 µs/3000 Hz (0.125 to 0.75 nm)<br>0.3 µs/1200 Hz (1 to 2 nm)<br>0.8 µs/600 Hz (3 to 16 nm) |
| <b>Peak Output Power IF Amplifier</b> | 2.2 kW nominal<br>IF: 60 MHz<br>BW: 15 MHz (0.125 to 0.75 nm)<br>5 MHz (1 to 16 nm)            |

### DISPLAY

|                     |   |
|---------------------|---|
| <b>Display Unit</b> | 6" monochrome LCD, 4 gray tones,<br>240 x 320 pixels,<br>90 mm (W) x 120 mm (H) |
|---------------------|---|

#### Accuracy

|          |  |
|----------|--|
| Range:   | 1.0 % of range in use or 8 m, whichever is greater |
| Bearing: | EBL accuracy ±1°                                   |

#### Range and Range Ring Interval

|        |  |
|--------|--|
| Range: | 0.125, 0.25, 0.5, 0.75, 1, 1.5, 2, 3, 4, 6, 8, 12, 16 nm |
| Ring:  | .0625 .125 .125 .25 .25 .5 .5 1 1 2 2 3 4 nm             |

**Echo Trail** Interval: 30 s, 1, 3, 6 min, or continuous

#### Interface (NMEA 0183 format)

BWC, BWR, DBK, DBS, DBT, DPT, GGA, GLC, GLL, GTD, HDG, HDM, HDT, MTW, MWV, RMA, RMB, RMC, VBW, VHW, VTG, XTE, ZDA

### ENVIRONMENT

#### Temperature (IEC 60945 Test method)

|               |                |
|---------------|----------------|
| Antenna Unit: | -25°C to +70°C |
| Display Unit: | -15°C to +55°C |

#### Water resistance (IEC 60529 Test method)

|               |                        |
|---------------|------------------------|
| Antenna Unit: | IEC IPX6, CFR46 (USCG) |
| Display Unit: | IEC IPX5, CFR46 (USCG) |

### POWER SUPPLY

12 to 24 VDC, 42 W (max), 8 W (in Watchman mode)  
115/230 VAC with optional rectifier PR-62

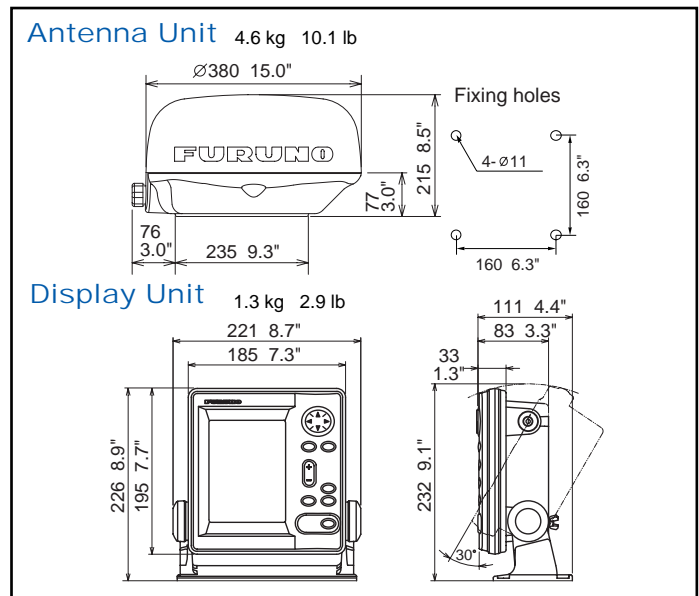
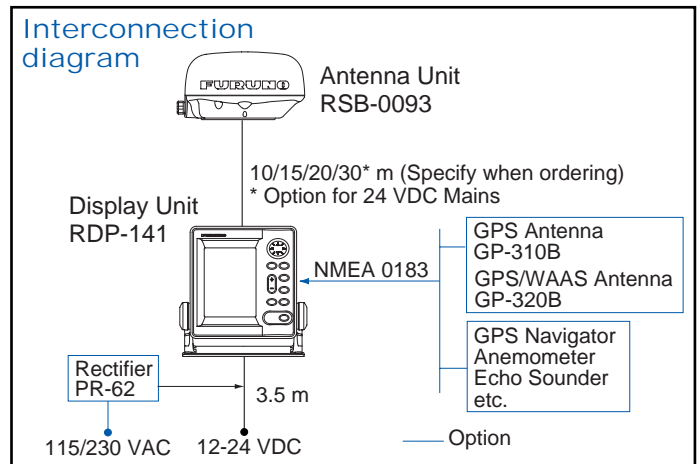
### EQUIPMENT LIST

#### Standard

|   |        |
|---|--------|
| 1. Display Unit                                     | 1 unit |
| 2. Antenna Unit                                     | 1 unit |
| 3. Antenna Cable 10/15/20 m (Specify when ordering) | 1 pc   |
| 4. Power Cable 3.5 m                                | 1 pc   |
| 5. Spare Parts & Installation Materials             | 1 set  |

#### Option

1. Rectifier PR-62 for 115/230 VAC mains
2. NMEA Cable, 5 m (MJ-A7SPF0007-050)
3. NMEA Cable, 0.5 m branched (MJ-A15A7F0004-005)
4. NMEA Cable, 2 m 7P to 7P (MJ-A15A7F0005-020)
5. Antenna Bracket OP03-93
6. External Buzzer XH3-BZ-L970
7. Antenna Cable, 30 m (for 24 VDC Mains)



SPECIFICATIONS SUBJECT TO CHANGE WITHOUT NOTICE

**FURUNO U.S.A., INC.**  
Camas, Washington, U.S.A.  
Phone: +1 360-834-9300  
Fax: +1 360-834-9400

**FURUNO (UK) LIMITED**  
Denmead, Hampshire, U.K.  
Phone: +44 2392-230303  
Fax: +44 2392-230101

**FURUNO FRANCE S.A.**  
Bordeaux-Mérignac, France  
Phone: +33 5 56 13 48 00  
Fax: +33 5 56 13 48 01

**FURUNO ESPAÑA S.A.**  
Madrid, Spain  
Phone: +34 91-725-90-88  
Fax: +34 91-725-98-97

**FURUNO DANMARK AS**  
Hvidovre, Denmark  
Phone: +45 36 77 45 00  
Fax: +45 36 77 45 01

**FURUNO NORGE A/S**  
Ålesund, Norway  
Phone: +47 70 102950  
Fax: +47 70 127021

**FURUNO SVERIGE AB**  
Västra Frölunda, Sweden  
Phone: +46 31-7098940  
Fax: +46 31-497093

**FURUNO FINLAND OY**  
Espoo, Finland  
Phone: +358 9 4355 670  
Fax: +358 9 4355 6710

**FURUNO POLSKA Sp. z o.o.**  
Gdynia, Poland  
Phone: +48 58 669 02 20  
Fax: +48 58 669 02 21

05023T Printed in Japan

