

NEW

SG205 Battery Monitor Monitor Battery Health from a Smartphone

Derived from Balmar's revolutionary SG200 Battery Monitor technology, the SG205 provides complete battery health and usage information solely from your smartphone using the free Balmar App. The SG205 eliminates the need to mount a display unit on your dash, electrical panel or helm. Simply connect the SG200 SmartShunt to a Bluetooth® Gateway included with the SG205, download the Balmar App from Google Play or the iPhone Store and begin monitoring your battery bank.



- **Learns & Displays All Critical Battery Parameters**

- State of Charge (SoC%)
- State of Health (SoH%)
- Voltage
- Charge/Discharge Current Flow
- Time Remaining

- **Support for All Common Battery Chemistries & Voltages**

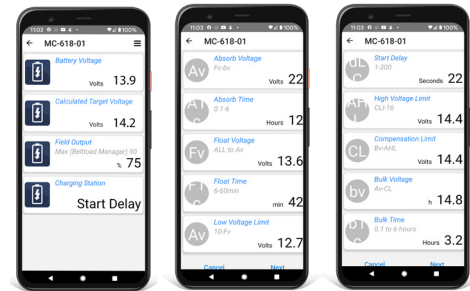
- Including Lead Acid, Lithium (LiFePO₄), Standard AGM, TPPL AGM, Carbon Foam AGM, and GEL Batteries
- Supports 12V-48V Battery Banks

- **Superior, Self-Calibrating Accuracy**

- Typically 97% Accurate Upon Learning Batteries
- Auto-Calibrating
- Does not Lose Accuracy With Age

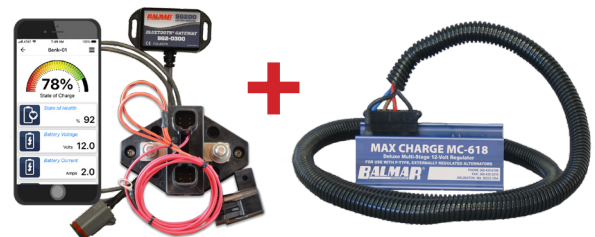
- **Expandable Architecture**

- Download Free Product Updates
- Supports Multiple Color Displays (*Optional*)
- Supports Multiple Battery Banks (*Optional*)
- Standard Support for 2 Start/Aux Batteries (Voltage Only)
- Integrate with the New MC-618 Voltage Regulator!
(*Program and Monitor the MC-618 from your phone*)



The SG205 is appropriate for boaters and vehicle owners who don't wish to use scarce helm, electrical panel or dash space to mount another display device. The Balmar App delivers all the required information with an ample receiving range using Bluetooth® Low Energy technology. If desired, one or more 2" Color Displays can be added at a later date.

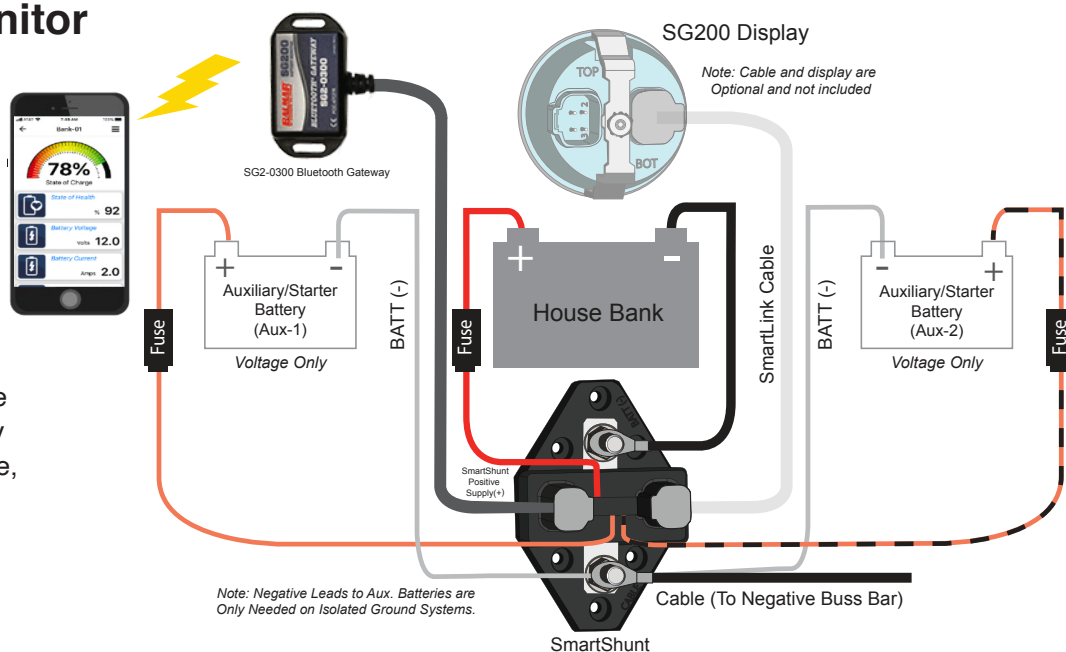
When used in combination with the MC-618 alternator regulator, all charging information can also be viewed on the Balmar App. Further, regulator setup and advanced programming can also be accomplished using the Balmar App.



SG205 Battery Monitor Product Schematic

The SG205 SmartShunt and Bluetooth[®] Gateway installs easily with just a few connections required on the negative side near the battery bank.

Monitor trolling motor banks, bow/stern thruster banks, house banks or any deep cycle battery bank application where accurate, real-time battery information is critically important.



Note: Negative Leads to Aux. Batteries are Only Needed on Isolated Ground Systems.

SG205 Ordering Information

Part Number	Description	Explanation / Includes
SG200	Battery Monitor Kit, 12V-48V	Standard Unit for Initial Purchase: Includes Color Display, SmartShunt, SmartLink Com Cable
SG205		Includes SmartShunt & Bluetooth Gateway Only (No Color Display)
SG210		Includes Color Display, SmartShunt, Smartlink Com Cable, Bluetooth [®] Gateway
SG2-0100	SmartShunt, SG200, 350A, 12V-48V	Add a SmartShunt for Additional Bank: Includes SmartShunt and SmartLink Com Cable
SG2-0200	Color Display, SG200, 2 1/16"	Add a Color Display to an existing SmartLink Network
SG2-0300	Gateway, SG200, Bluetooth [®]	Optional 39" Bluetooth [®] Gateway for Smartphone App
SG2-0400	Com Cable, SG200, 10m	Optional SmartLink Com Cable (10 meter) for Longer Cable Runs
SG2-0402	Mounting Plate, SG200	Mounting Adapter from SmartGauge [™] to SG200 Display
SG2-0403	Com Cable, SG200, 5m	Optional SmartLink Com Cable (5 meter) for Extensions and MC-618 Regulator Connections
SG2-0404	Com Cable, SG200, 3-Way Adapter	Optional SmartLink Com Cable for MC-618 Regulator Connection

SG205 Specifications

Standard Configuration:	1 Bank per SmartShunt Device 2 Start/Auxiliary Voltage Sense Lines (Up to 32 devices including Displays and SmartShunts can be added to a single Network)	Display Values:	State of Charge (SoC%) State of Health (SoH%) Voltage (V), Current (A), Time Remaining (hrs)
Supply Voltage Range:	8V - 60V DC	Max Ah Capacity:	1310 Ah (per SmartShunt)
Average Supply Current:	Display On: 20 mA @12V Sleep Mode: 10 mA @12V	Communications Cable:	4 wire, 22 AWG, Shielded 4 pin Deutsch DT Style
SmartShunt Operating Temperature:	-40°C - +85°C	Grounding:	Negative Battery Connection
SmartShunt Max Current:	600A Instantaneous (10 mins) 350A Continuous (For Higher Currents Consult User Manual)	SmartShunt Dimensions:	Length: 4.87" (123.7 mm) Width: 3.34" (84.8 mm) Height: 2.01" (50.9 mm)
Weight: Protection Rating:	SmartShunt: 0.62 lbs (.28 kg) IP67 (SmartShunt)	Standards Compliance:	CE EMC Directive 2014/30/EU RoHS 2 Directive 2011/65/EU